

Read this instruction carefully. See hardware and furniture part list for guidance. Be sure all parts are complete, before you assemble. Place all wooden furniture parts on a clean and flat soft surface to prevent from being scratched. Follow the figure to start assembling.

CAUTIONS :

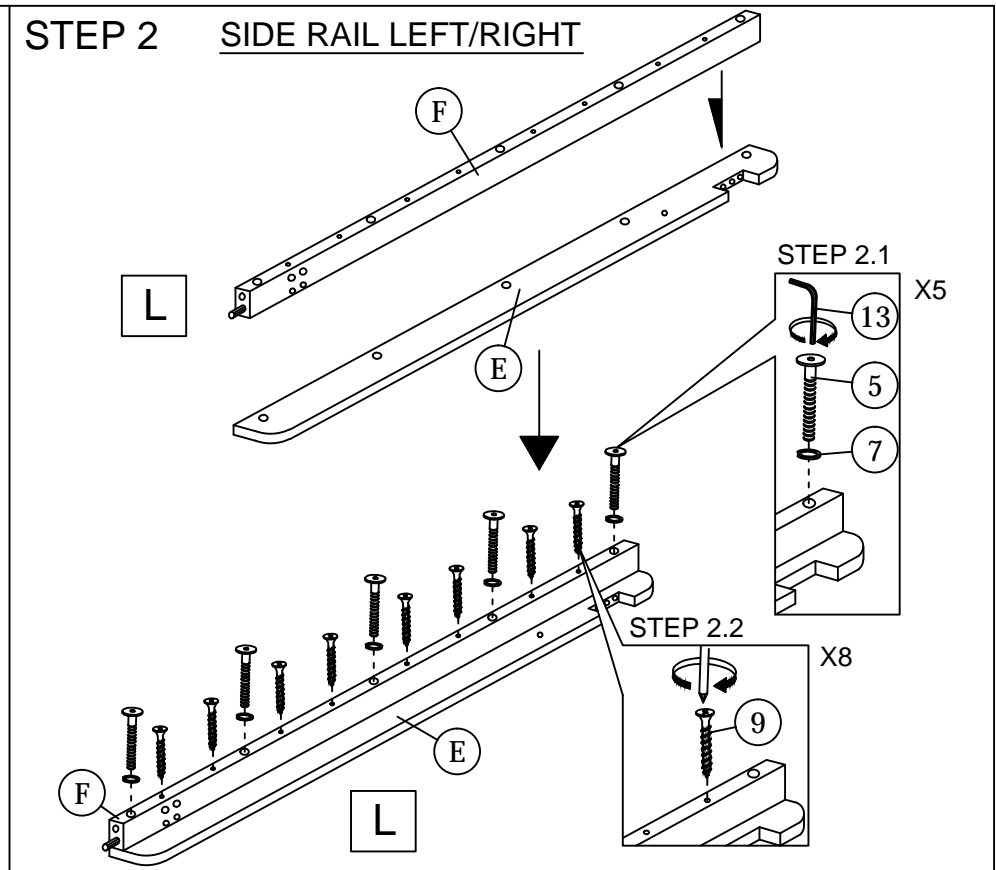
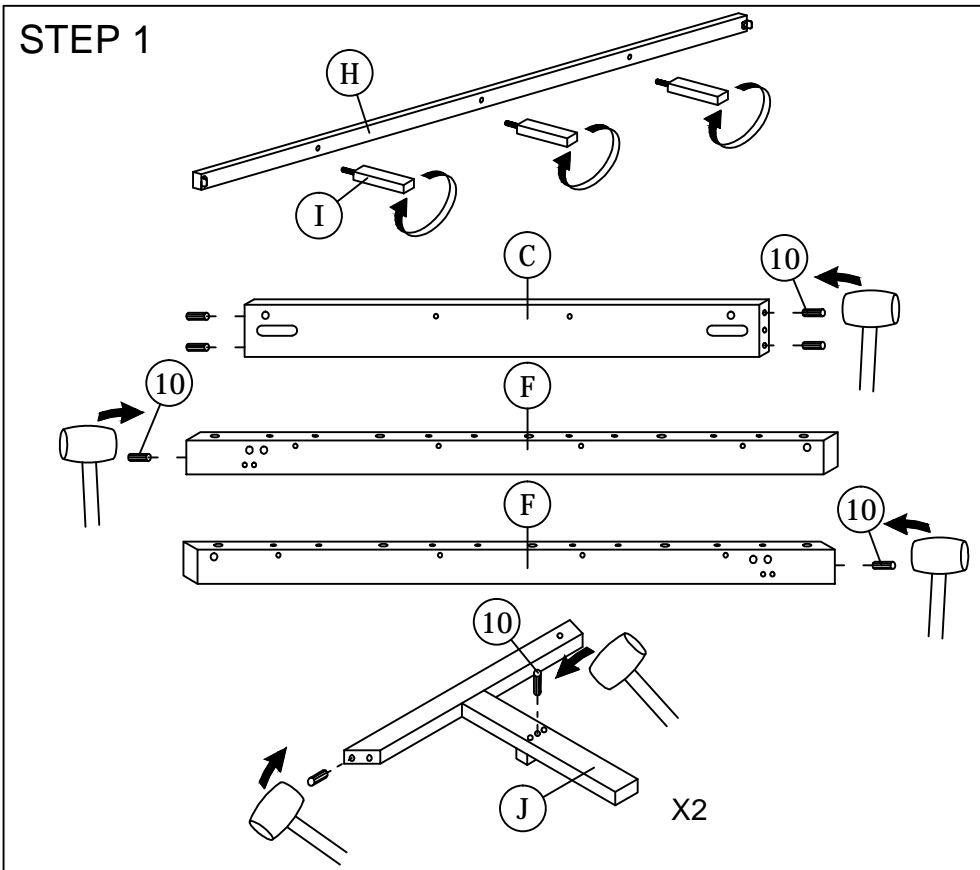
1. Do not FULLY - TIGHTEN the nut or nut bolt until all nut or bolt is ready assembled.
2. Do not OVER - TIGHTEN the nut or bolt to avoid causing damages to the thread.
3. Keep all hardware parts out of reach of children.

NOTE : THE LIST AND QUANTITY SHOWN ARE FOR 1 UNIT ASSEMBLY.

Tool needed : Screwdriver & Rubber Mallet (not provider).

PART LIST		
ITEM	DESCRIPTION	QTY
A	HEADBOARD	1 PC
B	FOOTBOARD	1 PC
C	FOOTBOARD PANEL	1 PC
D	FOOTBOARD SUPPORT	1 PC
E	SIDE RAIL PANEL (L/R)	2 PCS
F	SIDE RAIL SUPPORT (L/R)	2 PCS
G	SIDE RAIL SUPPORT WOOD	2 PCS
H	CENTER RAIL	1 PC
I	CENTER RAIL LEG	3 PCS
J	ARM (L/R)	2 PCS
K	LEG (L/R)	2 PCS
L	BED SLAT	1 SET

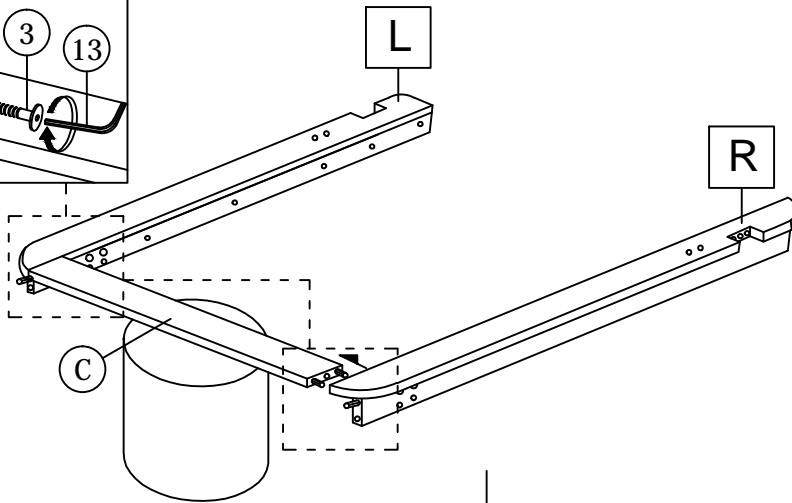
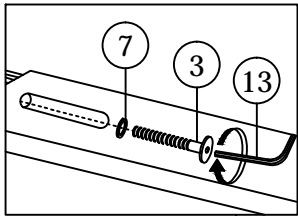
HARDWARE LIST		
ITEM	DESCRIPTION	QTY
1	JCBC BOLT M6 x 45mm	8 PCS
2	JCBB BOLT M8 x 40mm	14 PCS
3	JCBB BOLT M8 x 50mm	2 PCS
4	JCBB BOLT M8 x 60mm	2 PCS
5	JCBB BOLT M8 x 70mm	13 PCS
6	M8 FLAT WASHER	4 PCS
7	M8 SPRING WASHER	31 PCS
8	WOOD SCREW M4 x 38mm	9 PCS
9	WOOD SCREW M4 x 45mm	24 PCS
10	WOOD DOWEL M10 x 30mm	10 PCS
11	WOOD BUTTON DIA 18.5mm	2 PCS
12	M4 ALLEN KEY (BALL SHAPE)	1 PC
13	M5 ALLEN KEY (BALL SHAPE)	1 PC



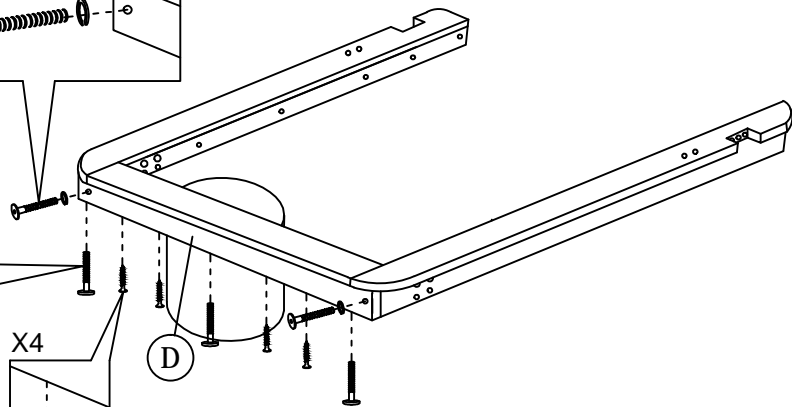
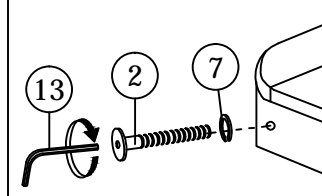
ASSEMBLY INSTRUCTIONS

STEP 3

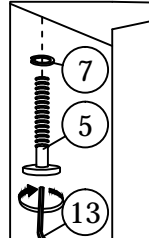
STEP 3.1



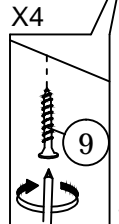
STEP 3.2 X2



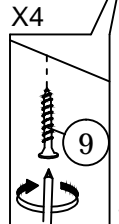
X3



STEP 3.3

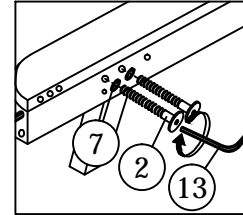


STEP 3.4

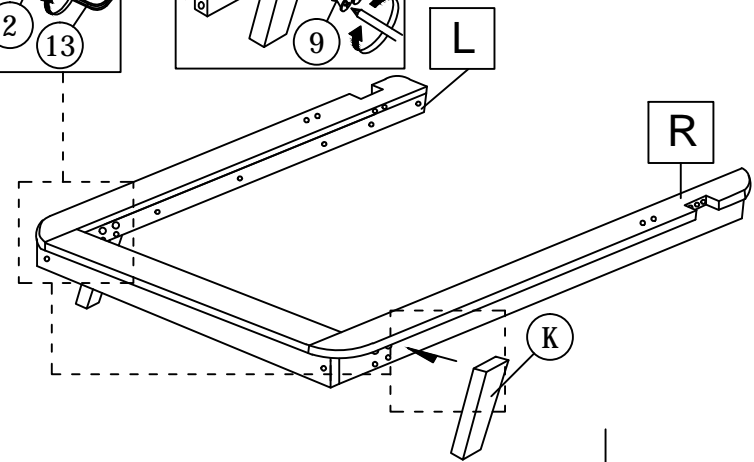
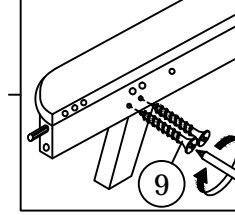


STEP 4

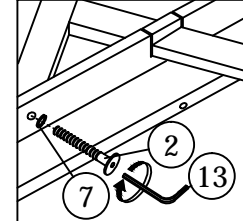
STEP 4.1



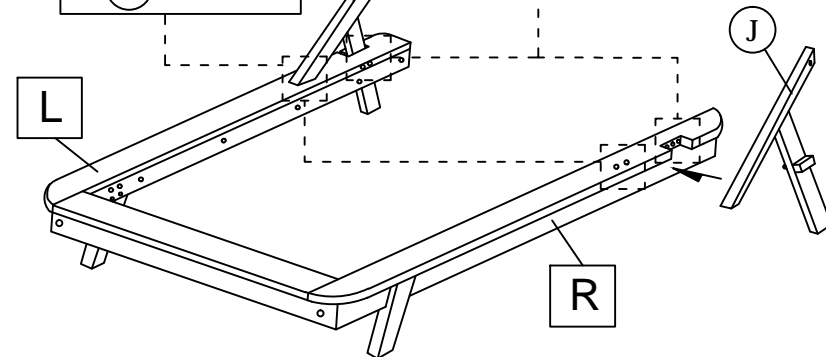
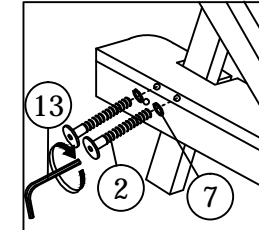
STEP 4.2



STEP 4.4

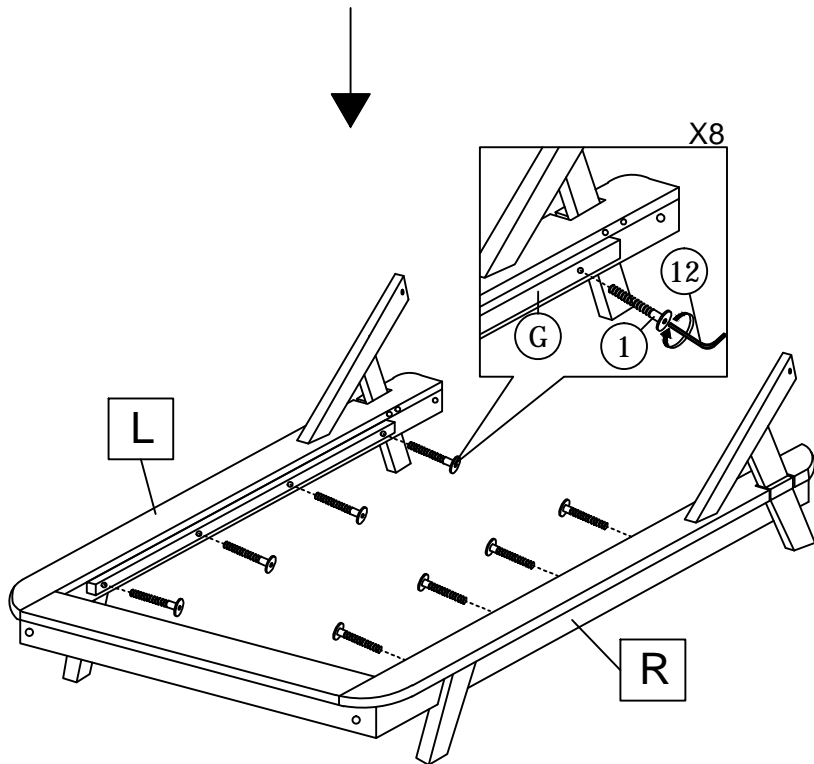
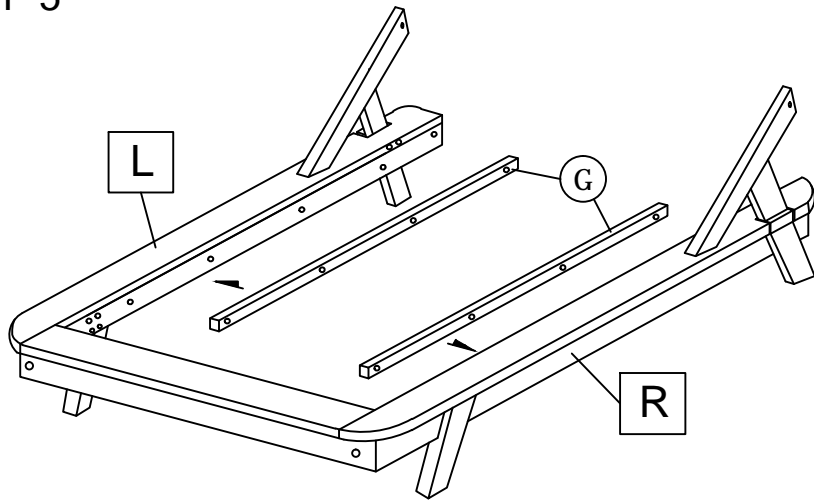


STEP 4.3

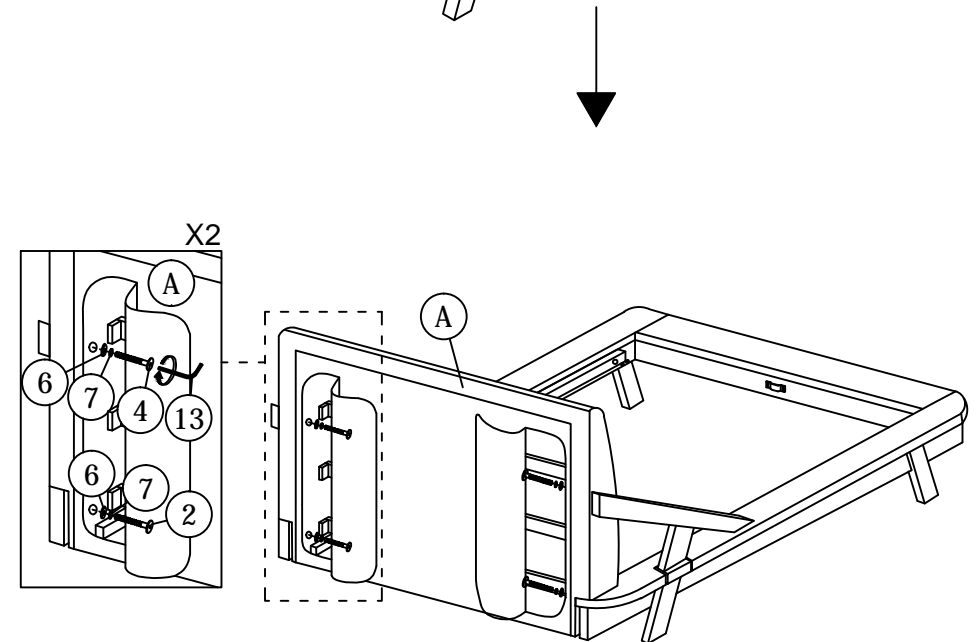
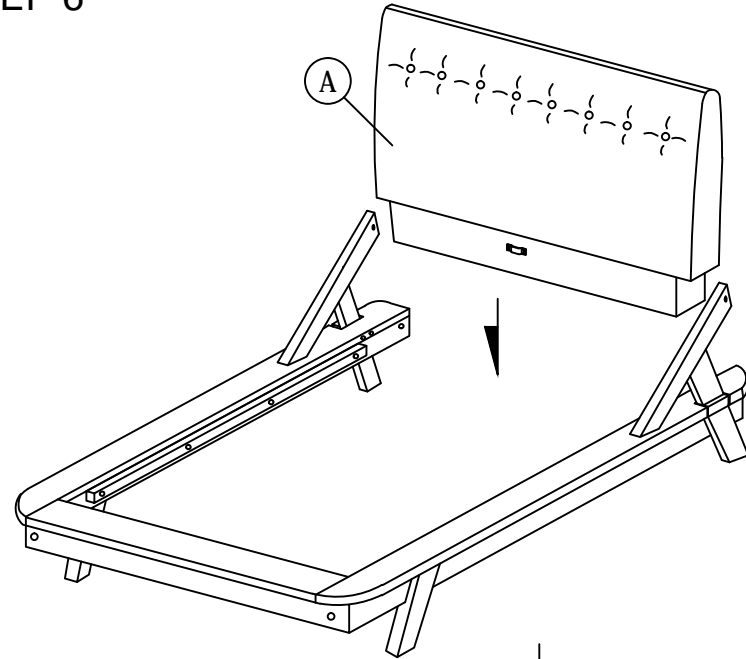


ASSEMBLY INSTRUCTIONS

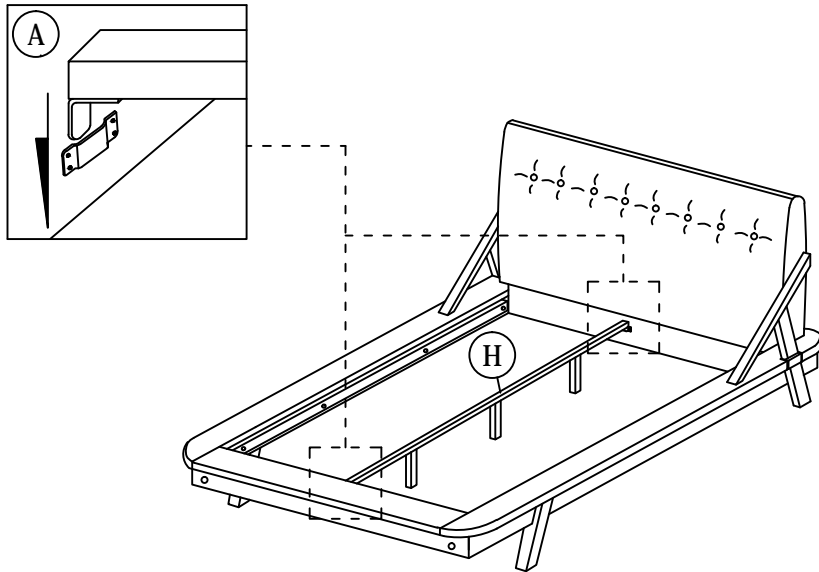
STEP 5



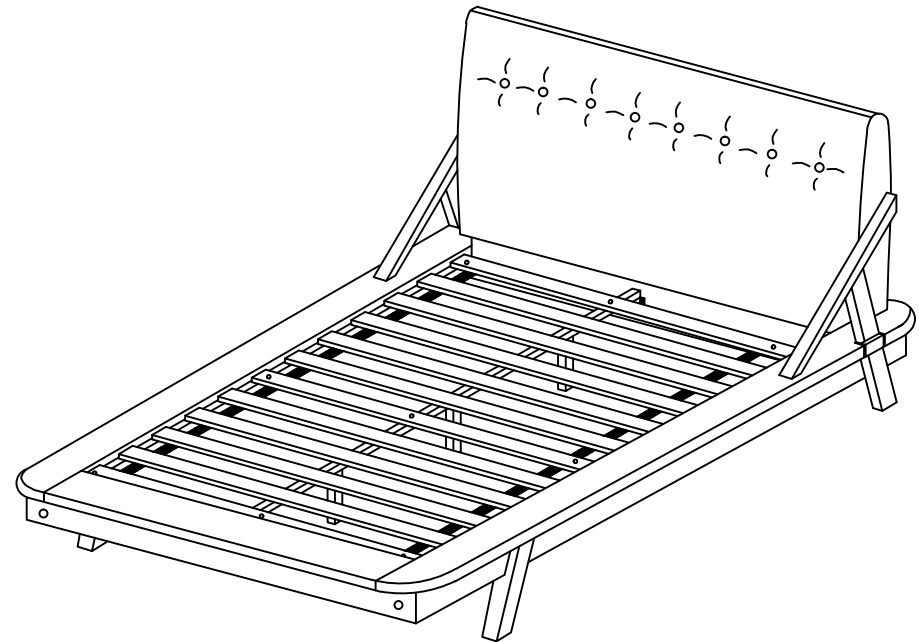
STEP 6



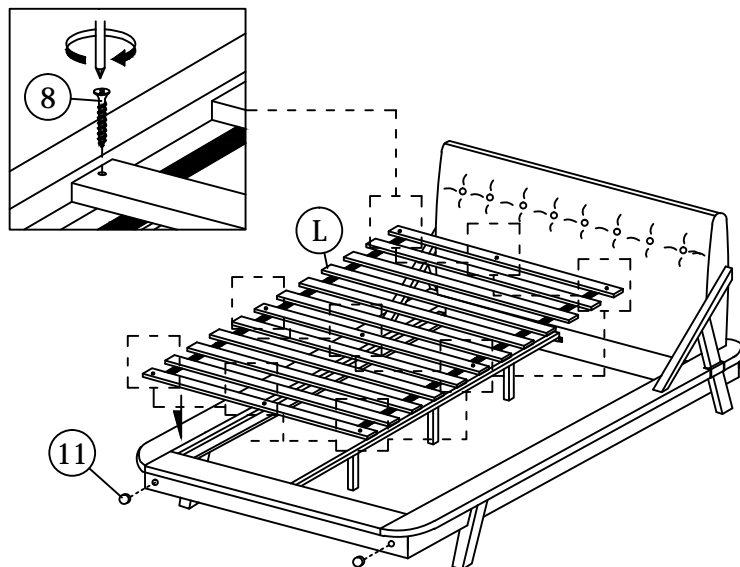
STEP 7



STEP 9



STEP 8



* When moving the bed position, the center support legs must be adjust to be straight to avoid any broken problem.