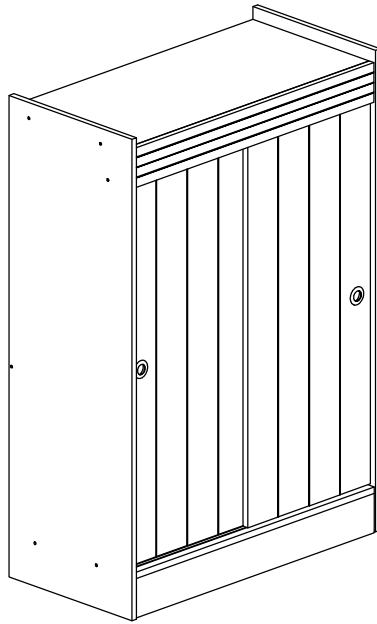
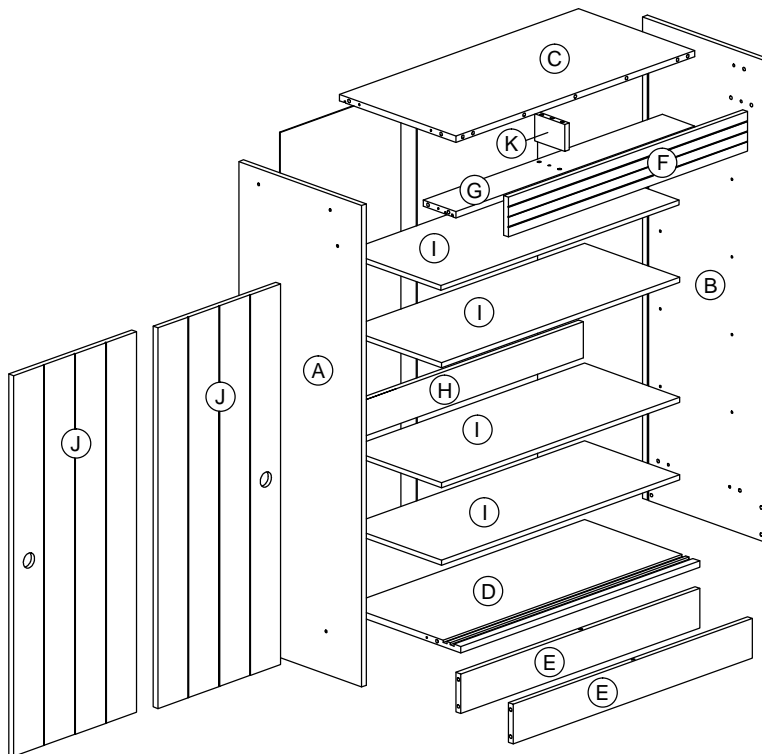


# Assembly Instruction




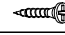
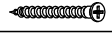

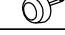
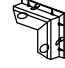







## Part List



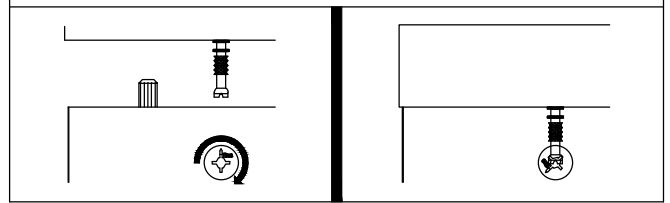
# Assembly Instruction

## Hardware List

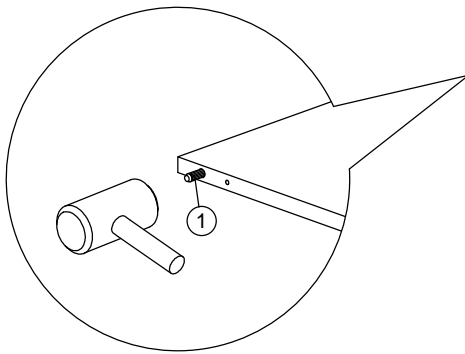
No.	SHAPE	DESCRIPTION	Qty.
1		<b>8x25mm Wood Dowel</b>	32Pcs
2		<b>15MM Titus Mini Fix</b>	4Sets
3		<b>Screw Cap</b>	12Pcs
4		<b>M3x16mm Screw</b>	20Pcs
5		<b>M5x38mm Screw</b>	13Pcs
6		<b>Shelf Support</b>	16Pcs
7		<b>Nail Leg</b>	6Pcs
8		<b>Z Bracket (Big)</b>	2 Pcs
9		<b>PVC Sliding Lining - M118 (746mm)</b>	2Pcs

10		<b>Sliding Roller T446</b>	4Sets
11		<b>Handle 296 - Ø35mm</b>	2Pcs
12		<b>Nail</b>	8Pcs
13		<b>H Profile (987mm)</b>	1Pc

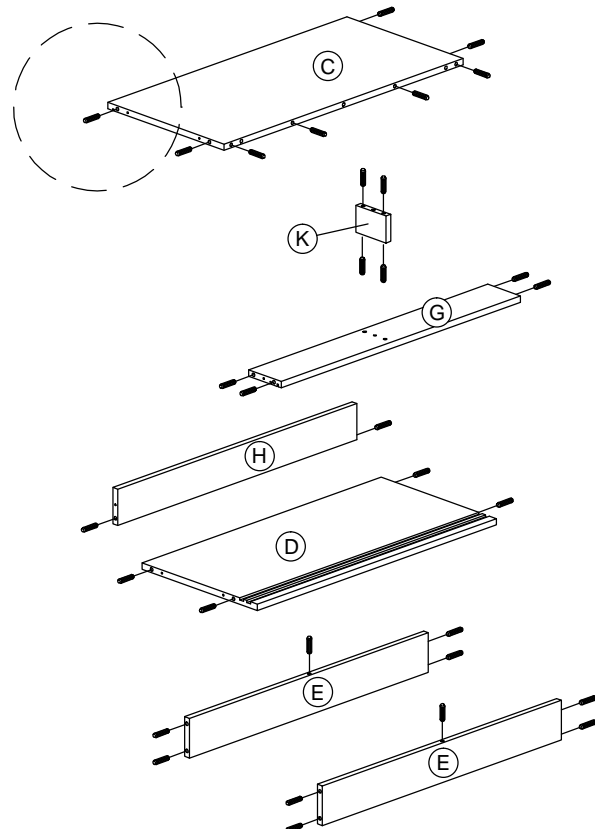
## Dowel / Cam - Lock Installation



## STEP 1

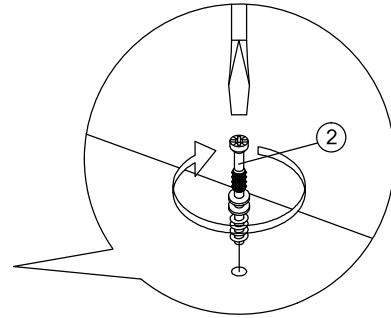
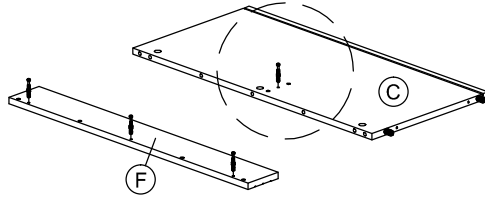


**\*Install (32Pcs) 8x25mm Wood Dowel into all panels as shown.**



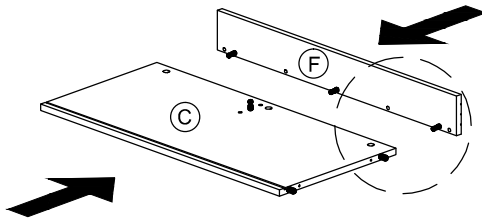
# Assembly Instruction

## STEP 2

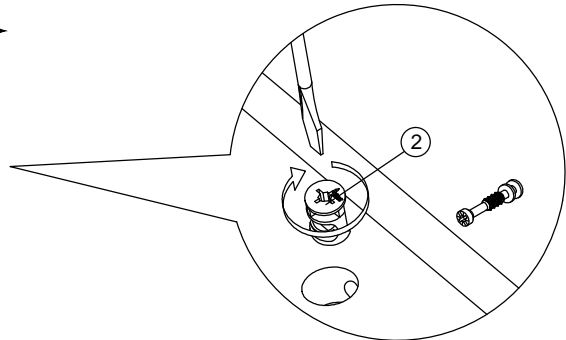


**\*Install minifix bolt to (C)&(F) panels as shown.**

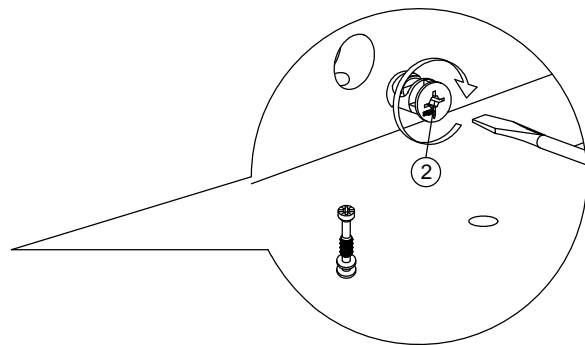
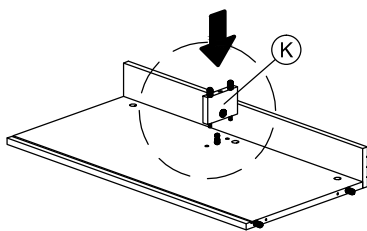
## STEP 3



**\*Assemble (C) & (F) panel, secure with Minifix as shown.**



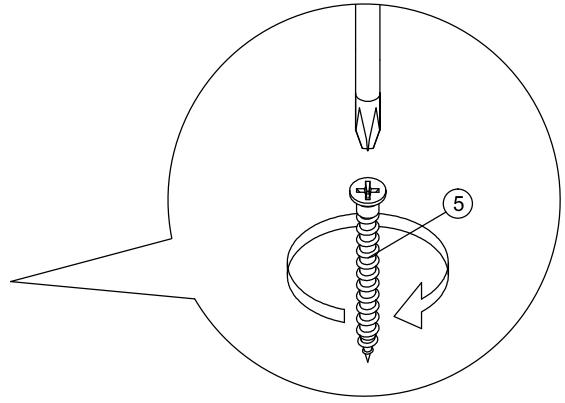
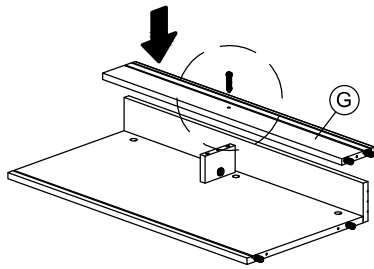
## STEP 4



**\*Assemble (K) panel, secure with Minifix as shown.**

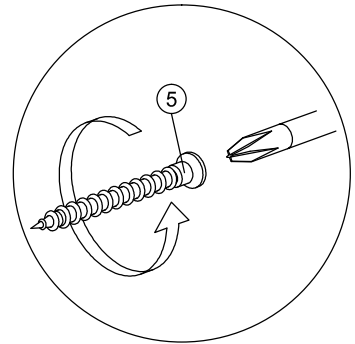
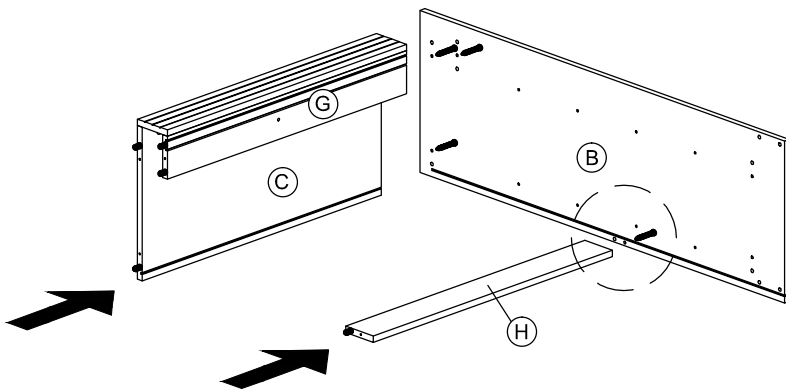
# Assembly Instruction

## STEP 5



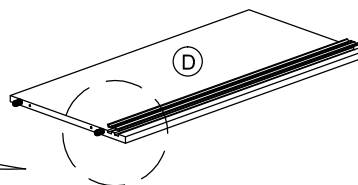
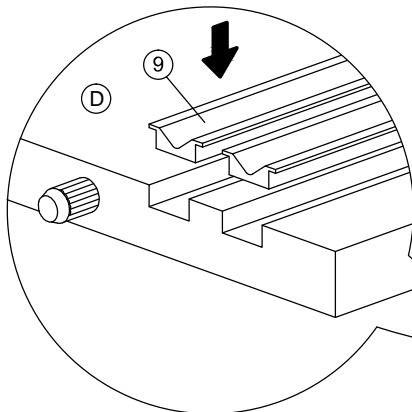
**\*Assemble (G) panel, secure with Screw as shown.**

## STEP 6



**\*Assemble (B),(C),(G)&(H) panels, secure with Screw as shown.**

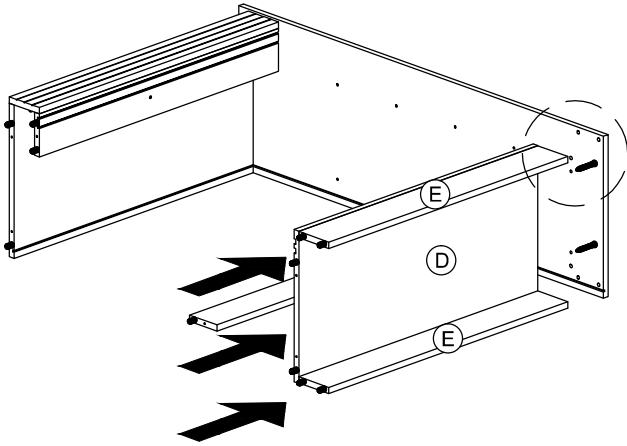
## STEP 7



**\*Attach 2pcs PVC Sliding Lining Rail as shown.**

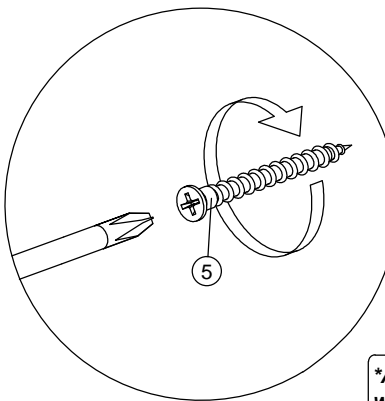
# Assembly Instruction

## STEP 8

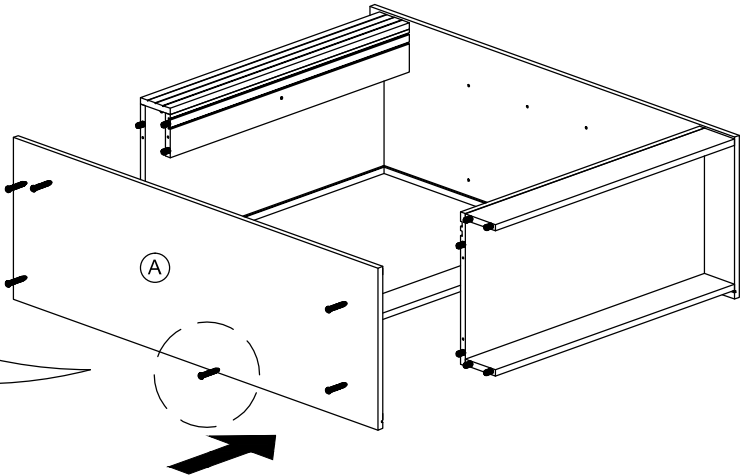


*\*Assemble (D) & (E) panels, secure with Screw as shown.*

## STEP 9

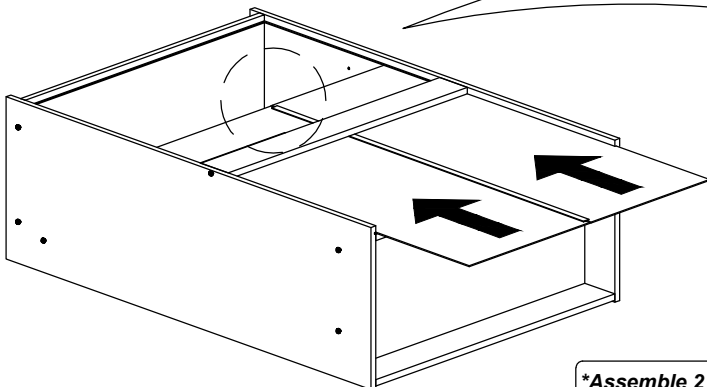


*\*Assemble (A) panel, secure with Screw as shown.*

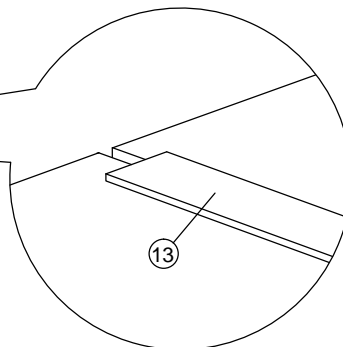


## STEP 10

*\*Insert H Profile between back panel as shown*

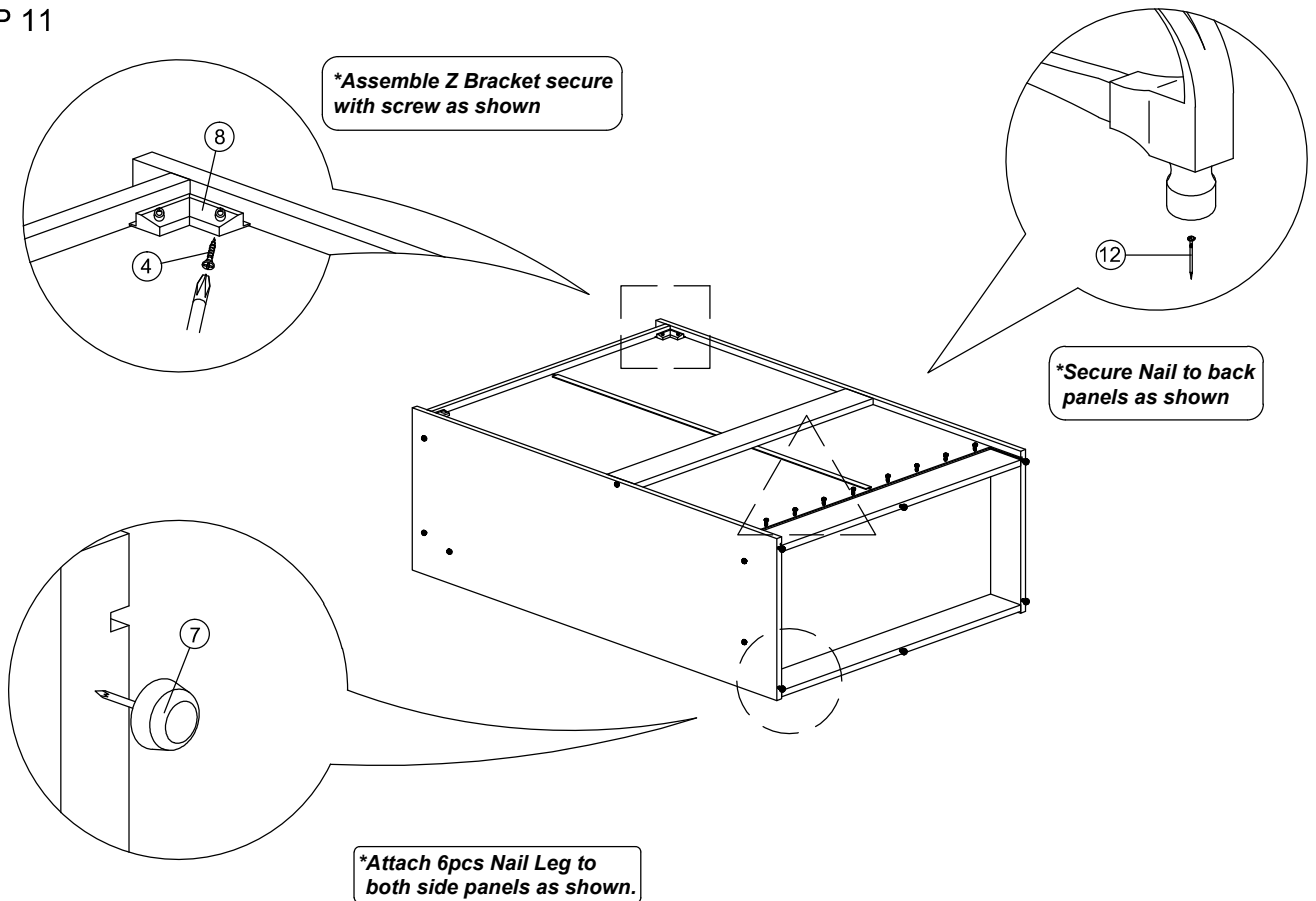


*\*Assemble 2 Pcs back panel as shown*

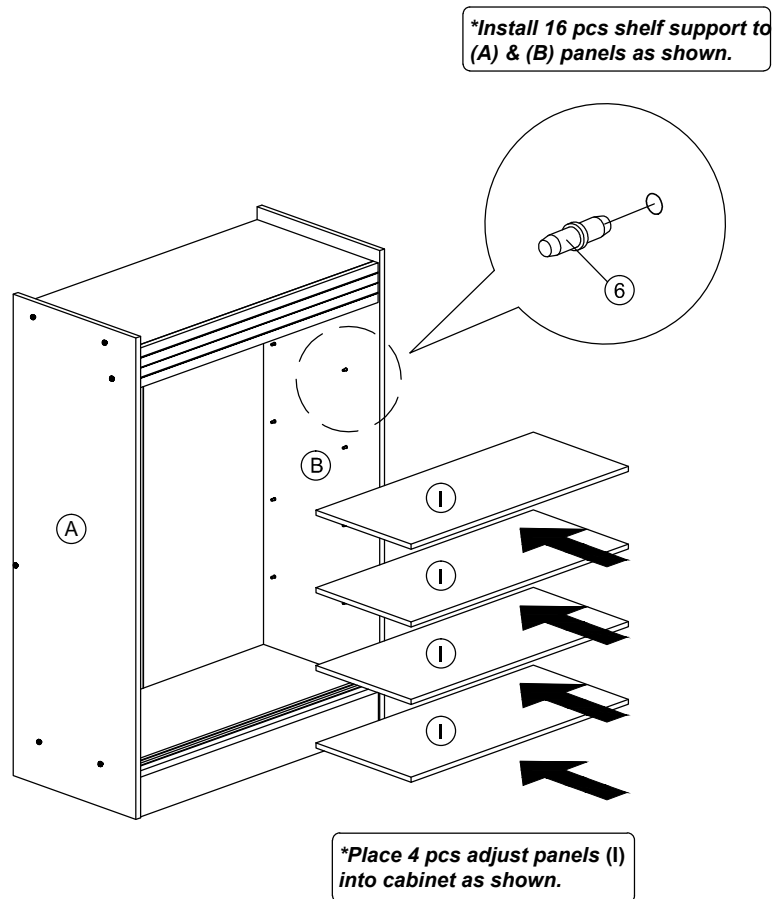


# Assembly Instruction

## STEP 11

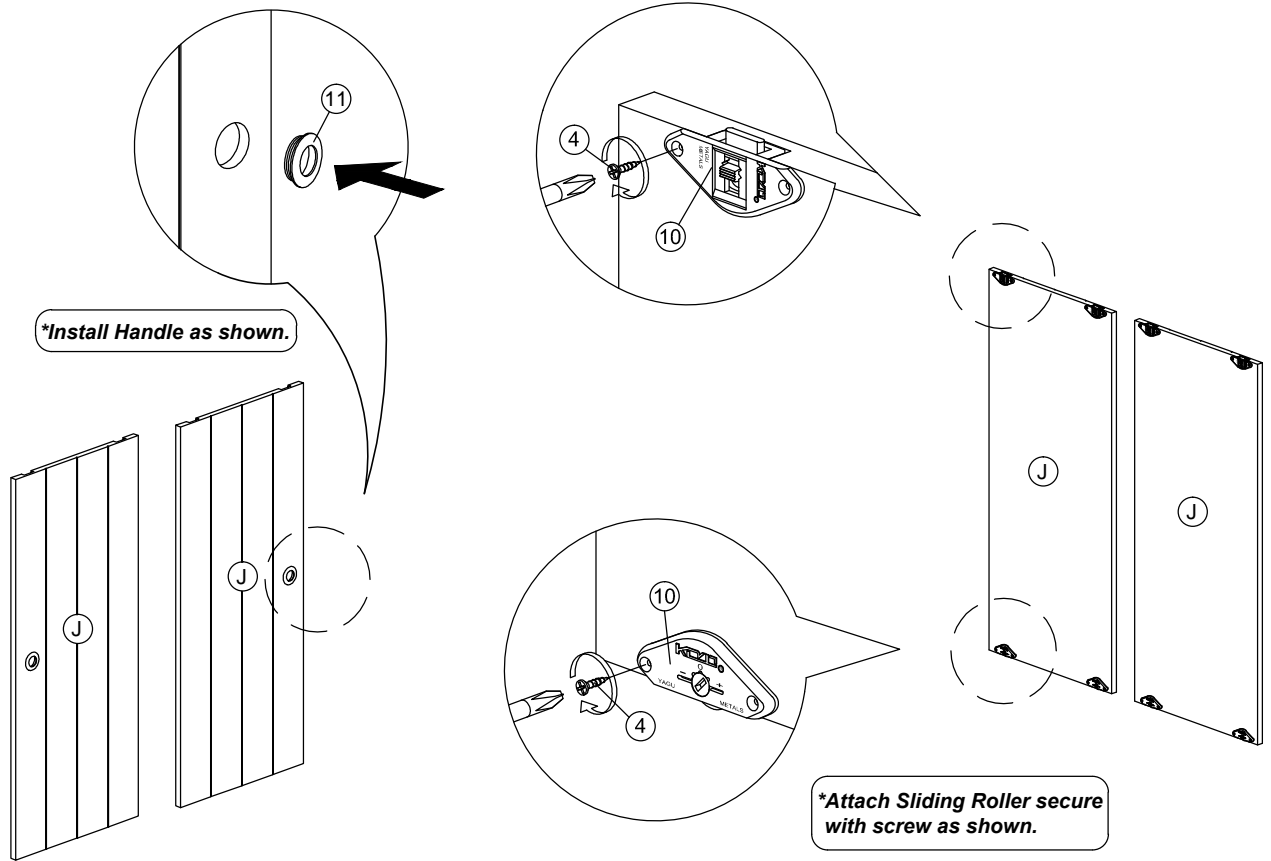


## STEP 12



# Assembly Instruction

## STEP 13



## STEP 14

