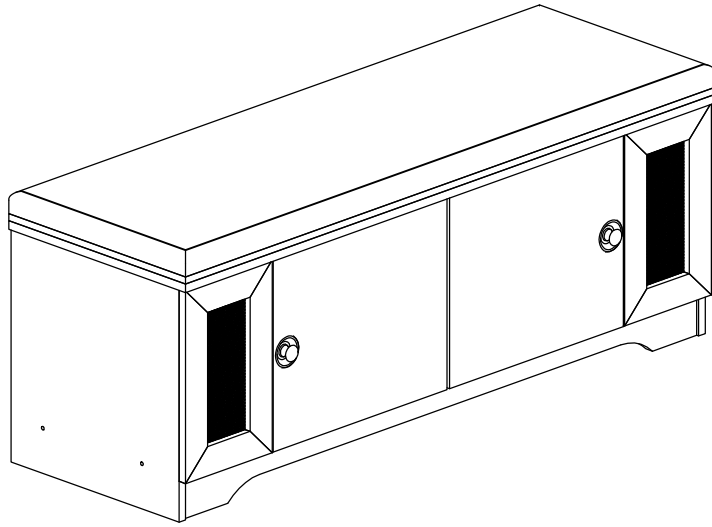
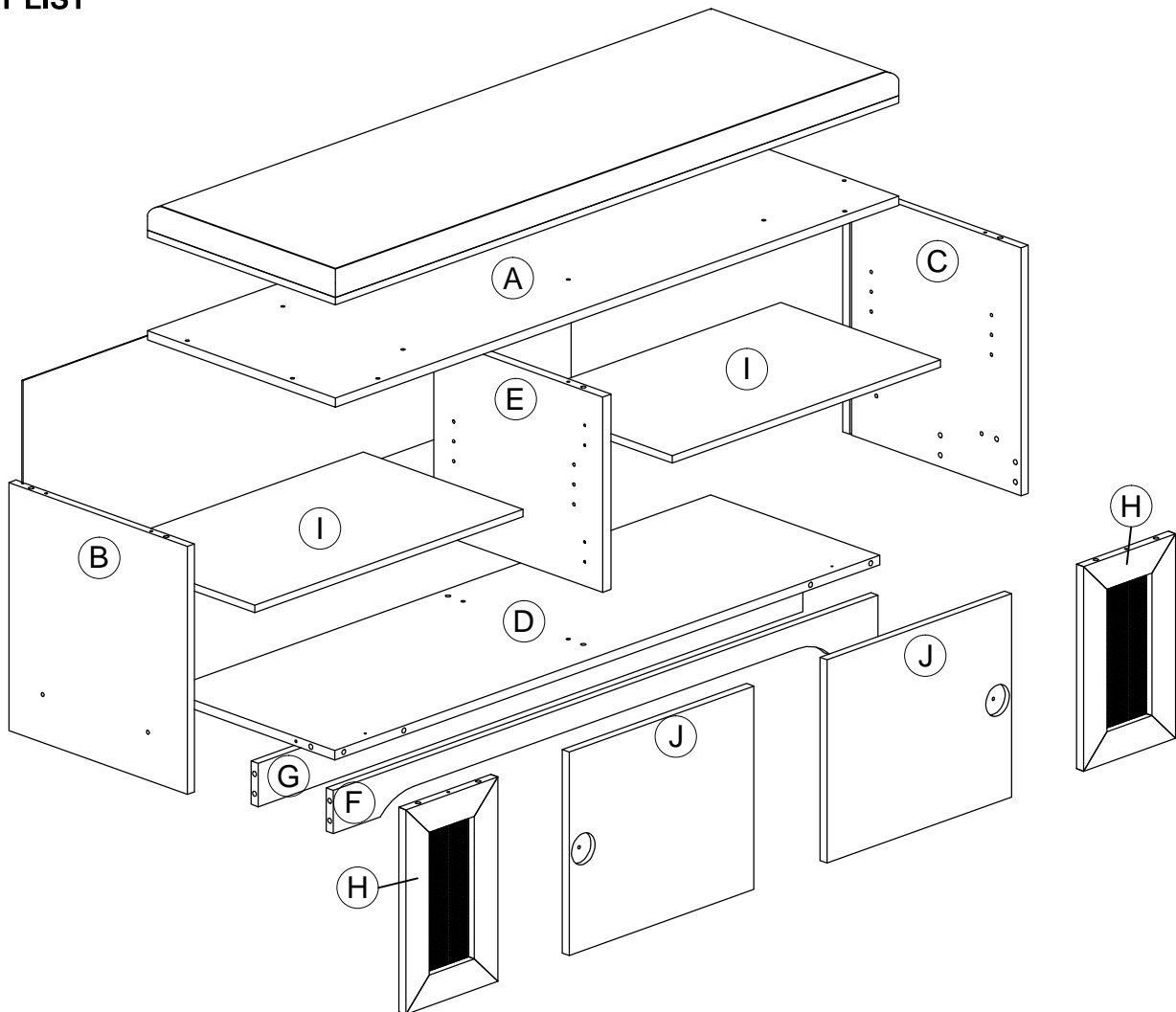


Assembly Instruction












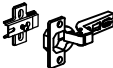


PART LIST



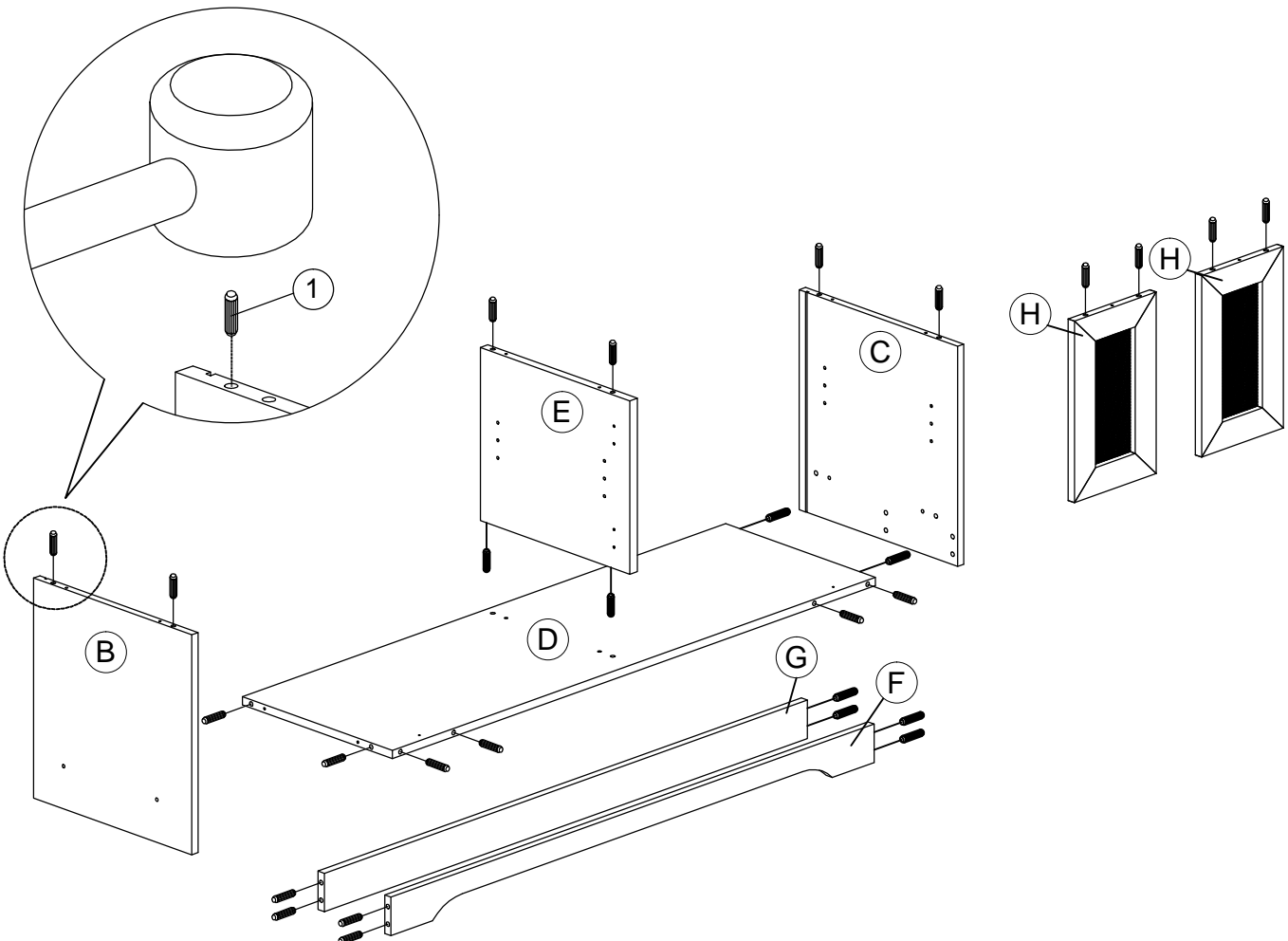
Assembly Instruction

Hardware List

No.	SHAPE	DESCRIPTION	Qty.
1		8x25mm Wood Dowel	28Pcs
2		M3x16mm Screw	4 Pcs
3		M3.5x15mm Screw	16 Pcs
4		M4x25mm Screw	4 Pcs
5		M5x40mm Screw	14 Pcs
6		L Bracket	8 Pcs
7		Nail	12 Pcs
8		Nail Leg	5 Pcs
9		Handle OS-9200 & 9201 M3.6x18mm Screw	2 Sets

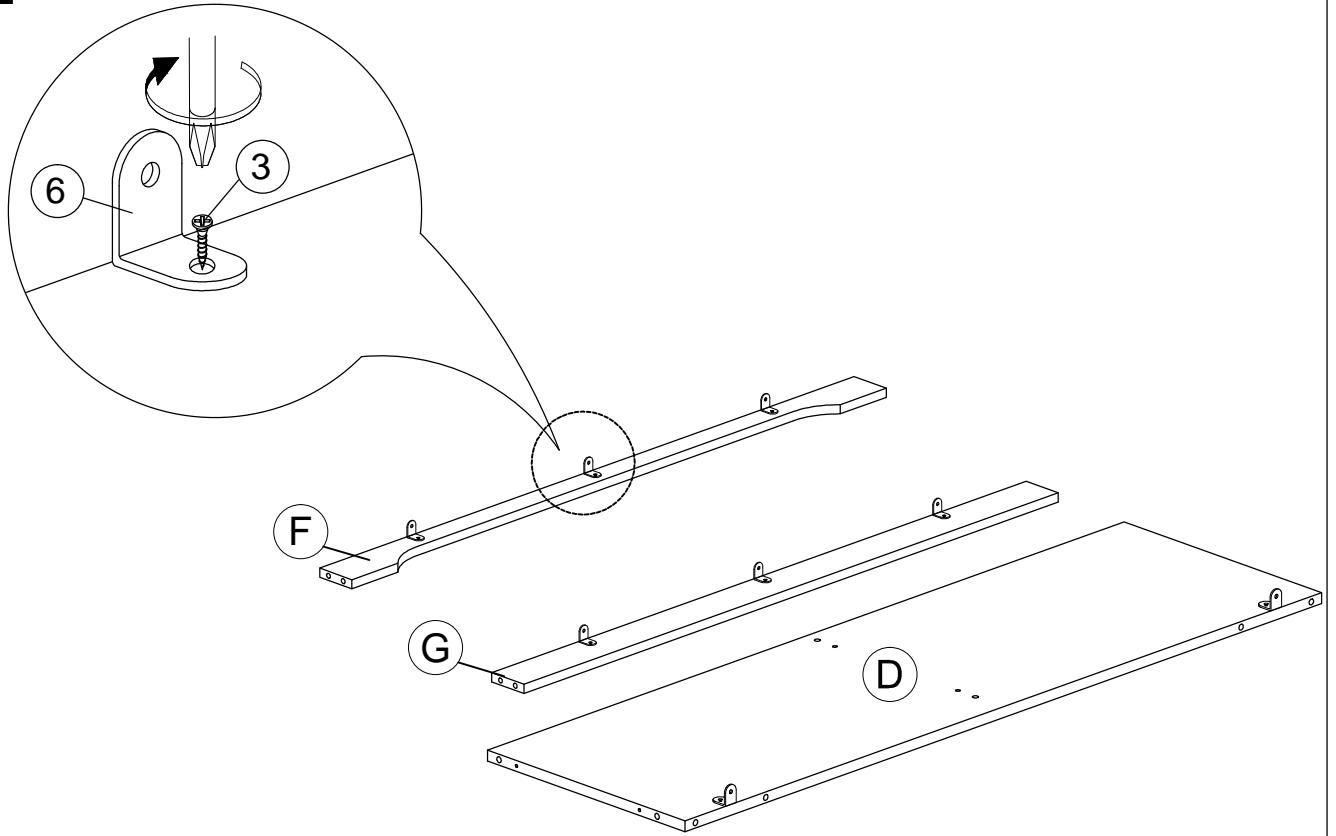
10		Screw Cap	4 Pcs
11		Z Bracket (Big)	2 Pcs
12		Hinges (F012)	4Sets
13		TP 10#x1/2" Screw	16Pcs
14		Shelf Support	8 Pcs

STEP 1

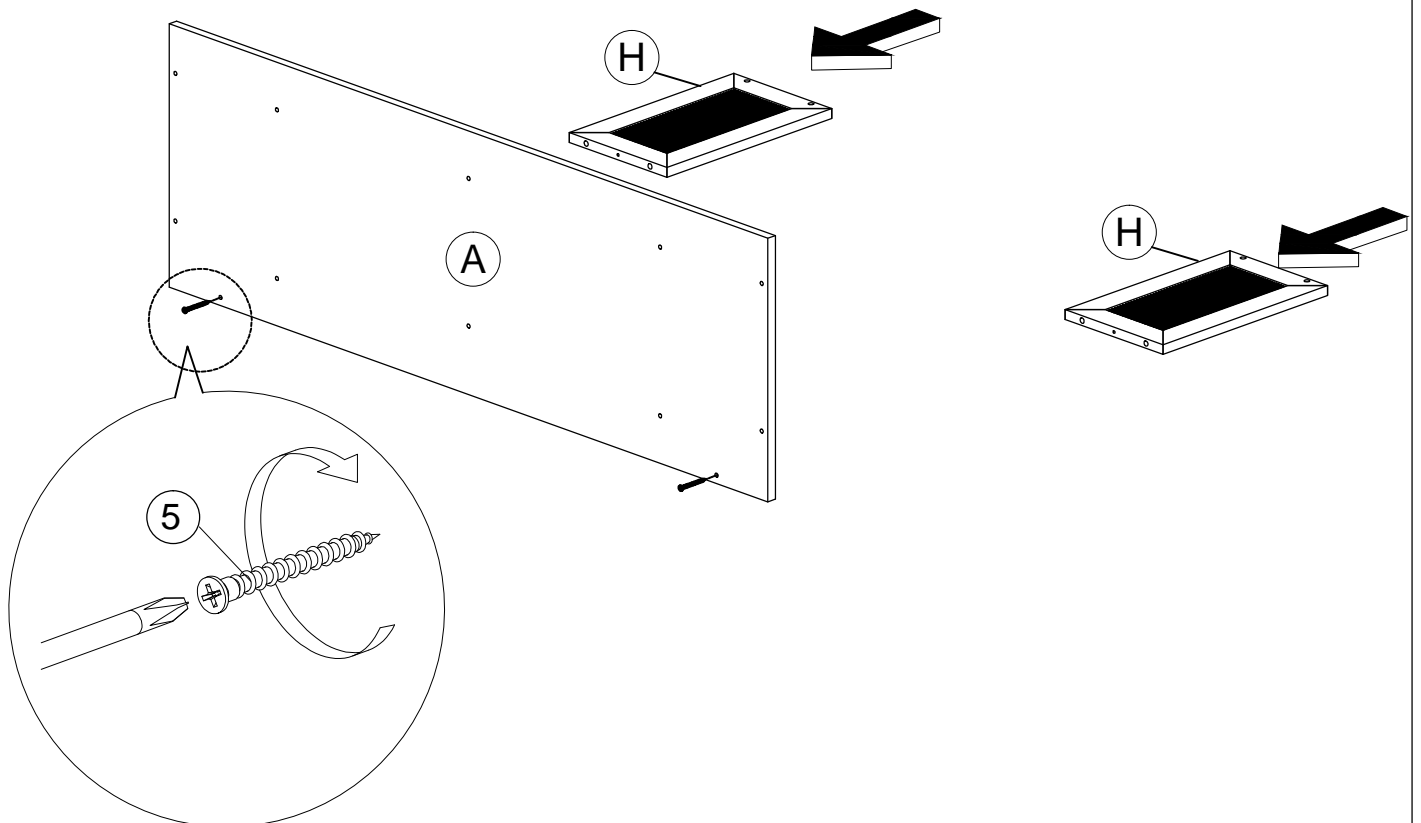


Assembly Instruction

STEP 2

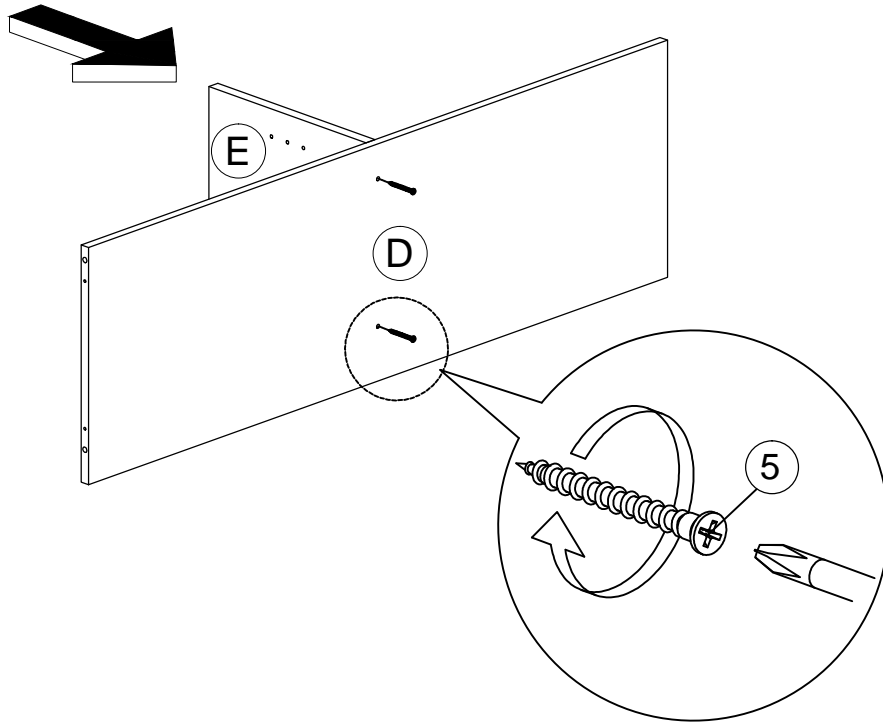


STEP 3

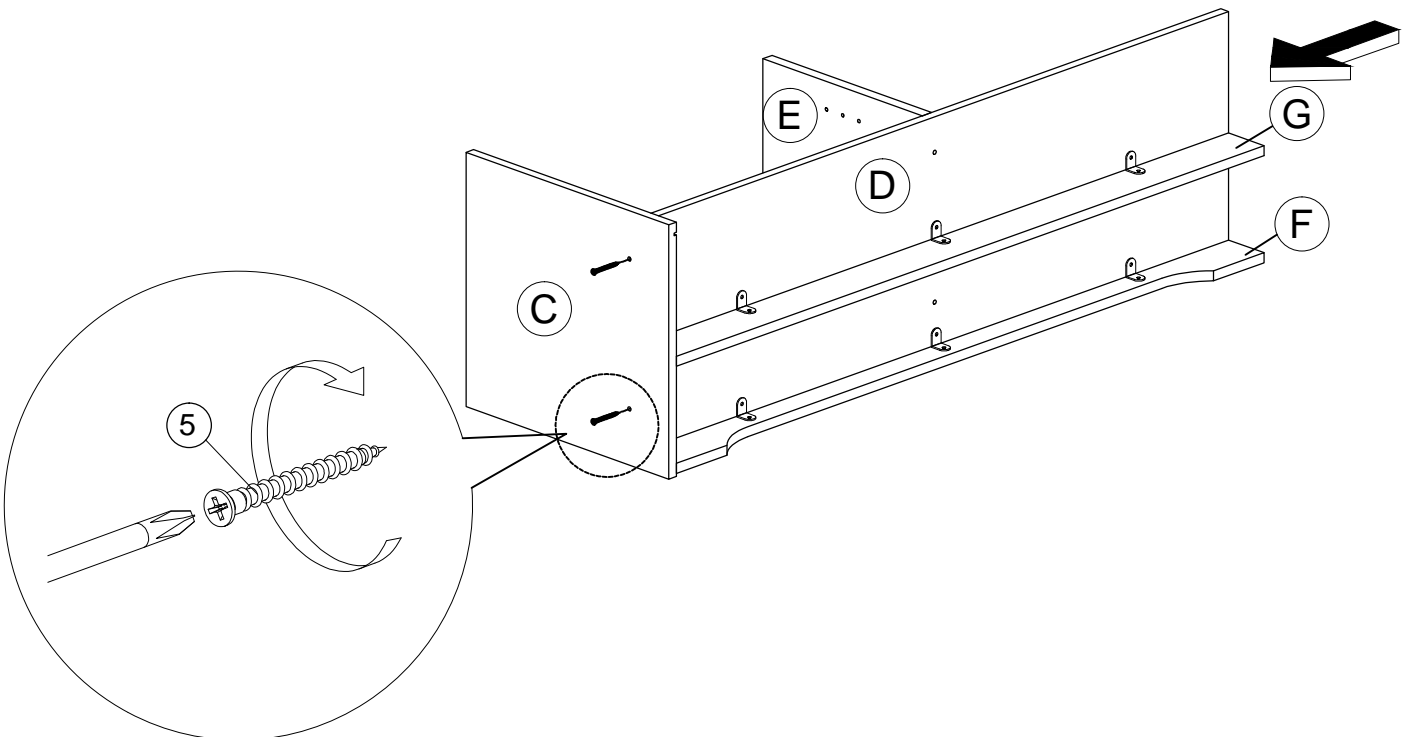


Assembly Instruction

STEP 4

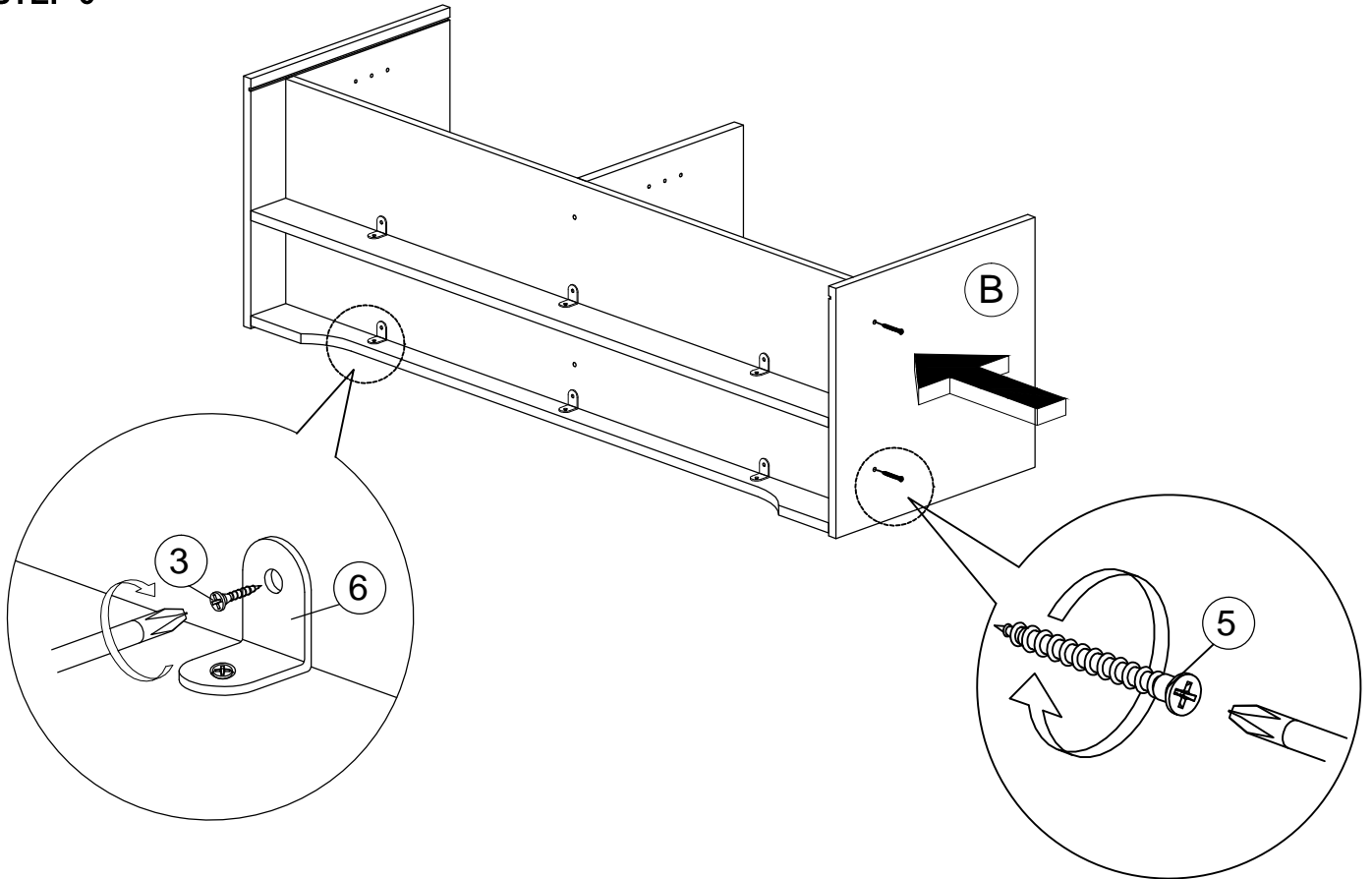


STEP 5

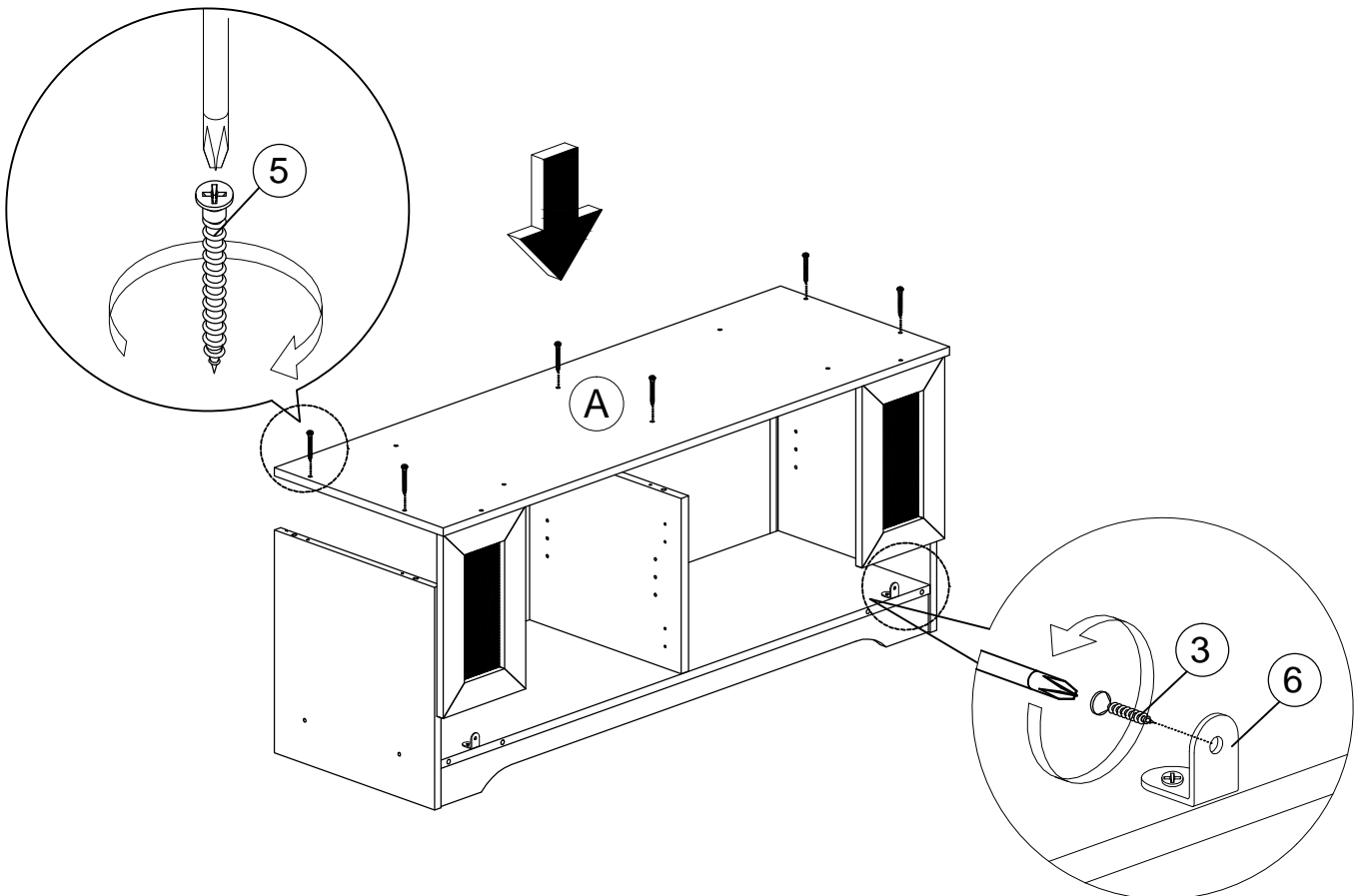


Assembly Instruction

STEP 6

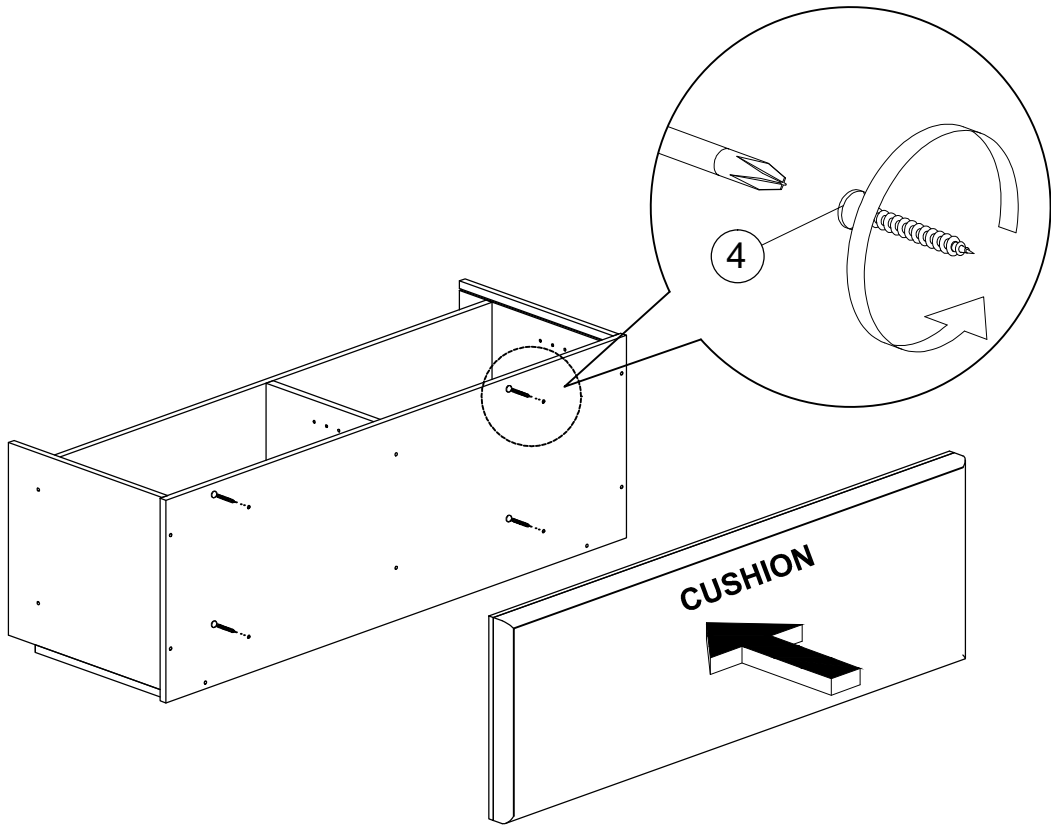


STEP 7

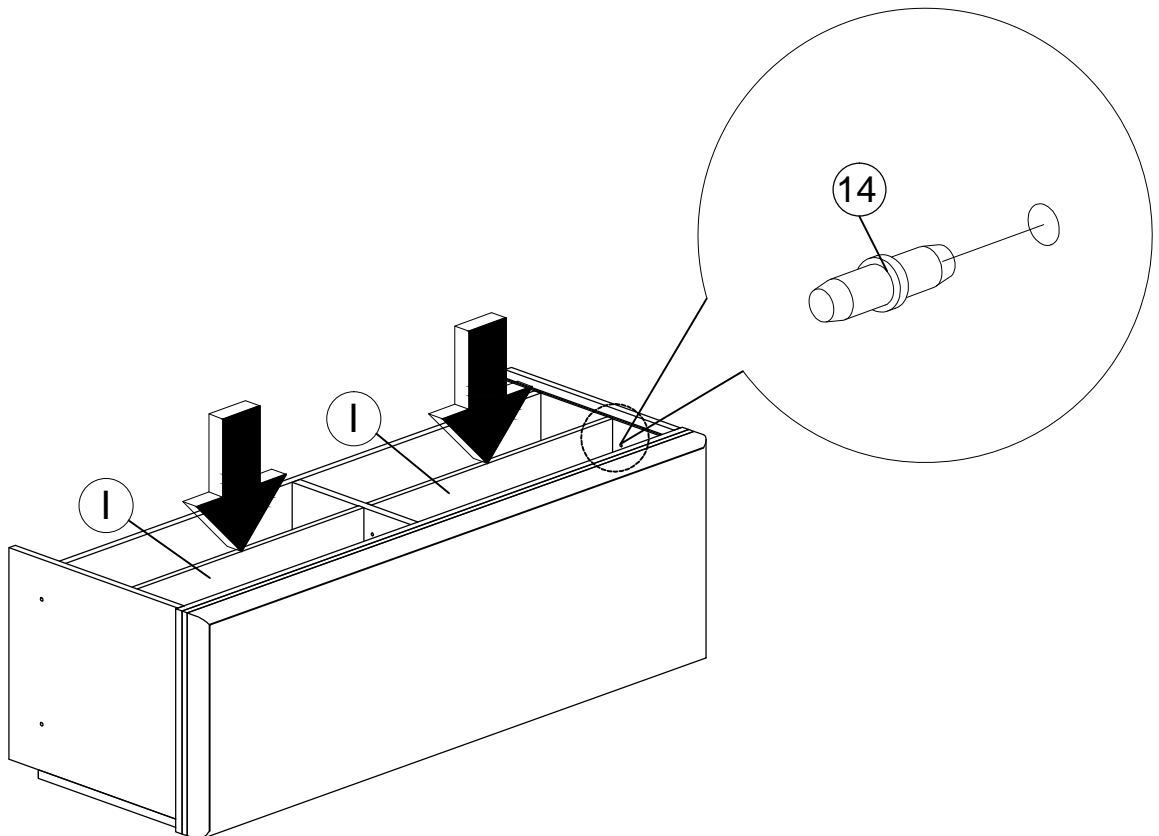


Assembly Instruction

STEP 8

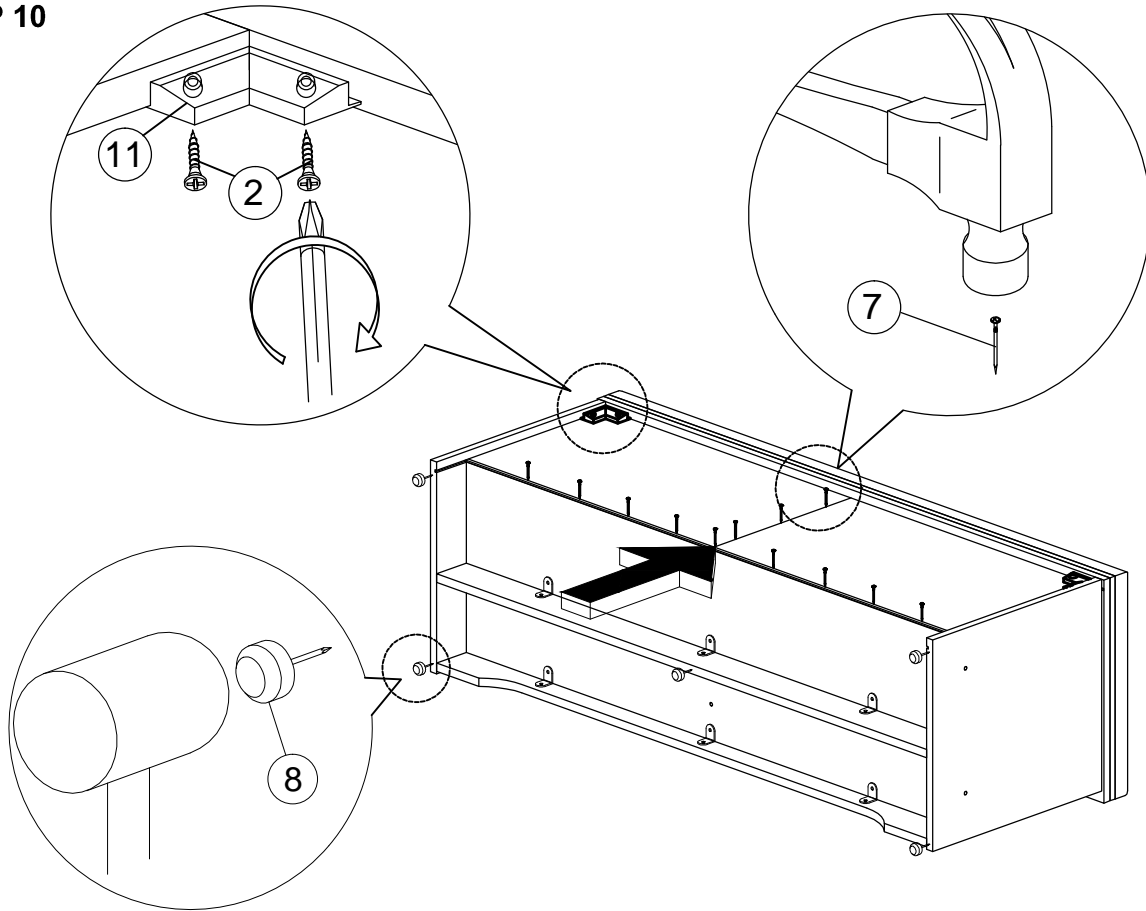


STEP 9

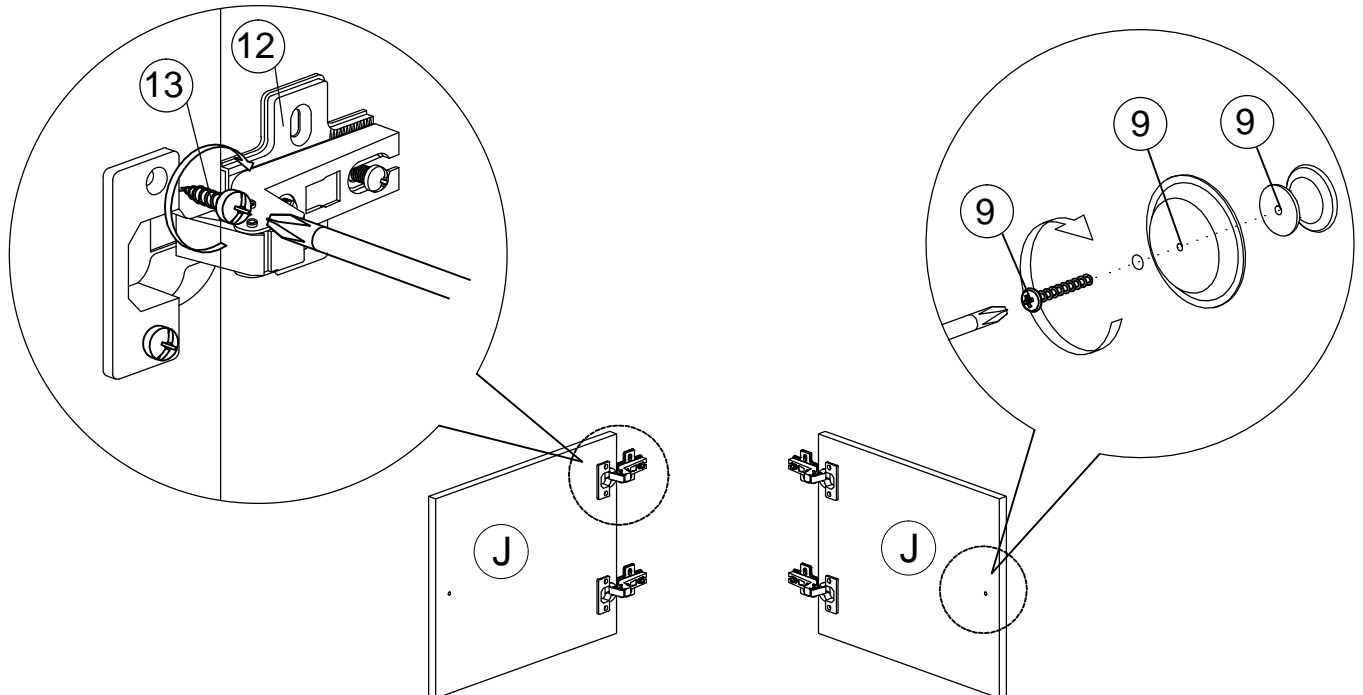


Assembly Instruction

STEP 10

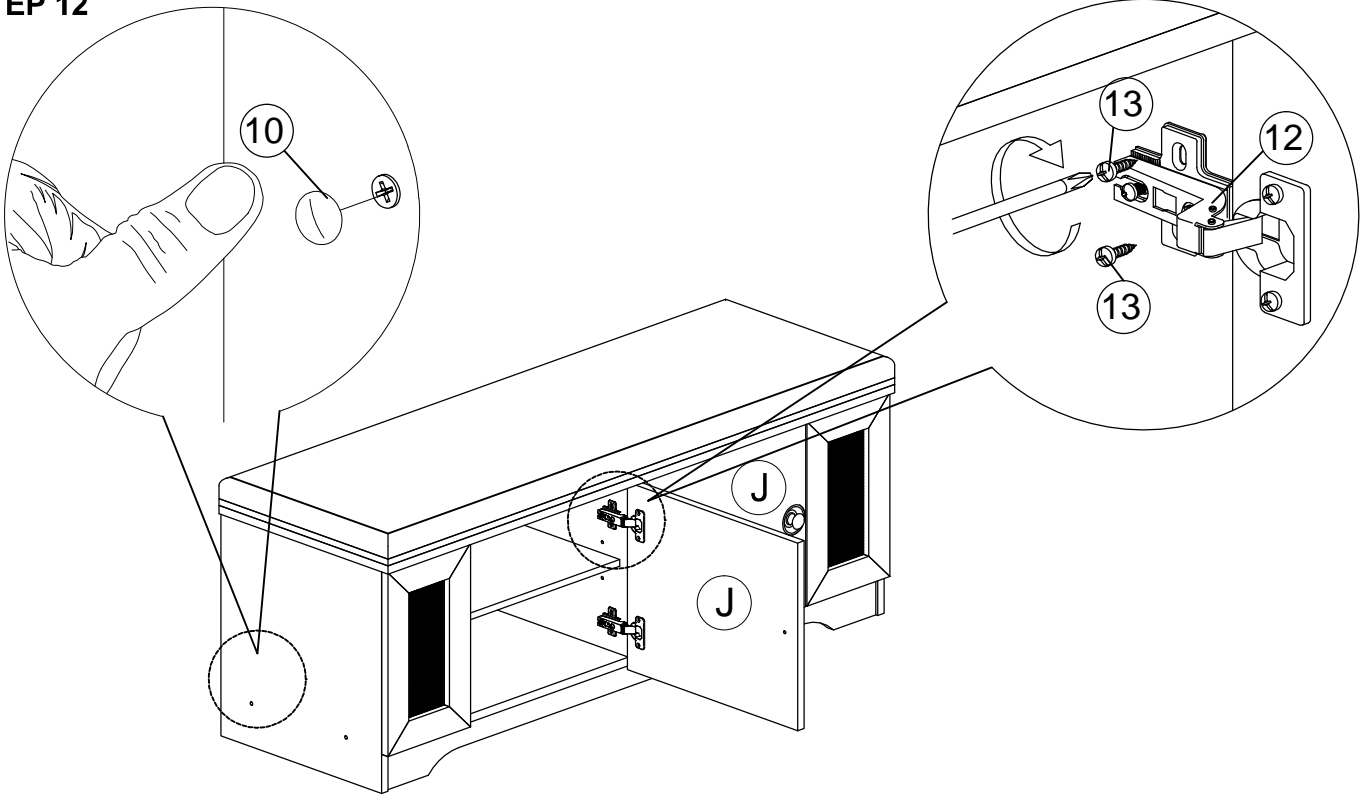


STEP 11



Assembly Instruction

STEP 12



COMPLETE

