




# Assembly instructions

		Tools: 
--	---	---

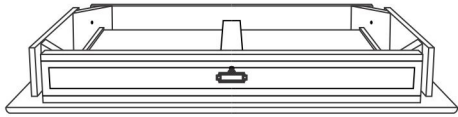
Include:

8 pcs	8 pcs	1 pcs
		



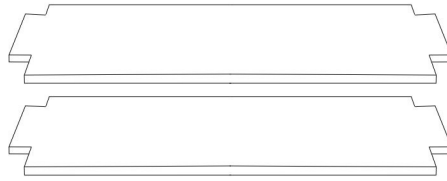
## Component List:

### A. Table Top



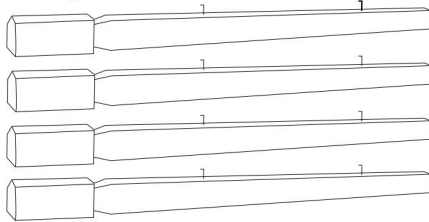
A = (1 pcs)

### C. Shelf



C = (2 pcs)

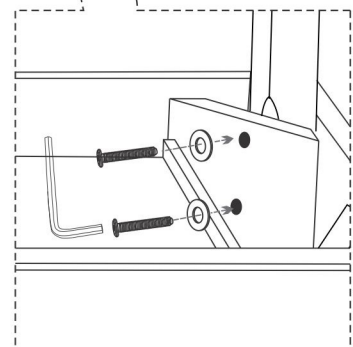
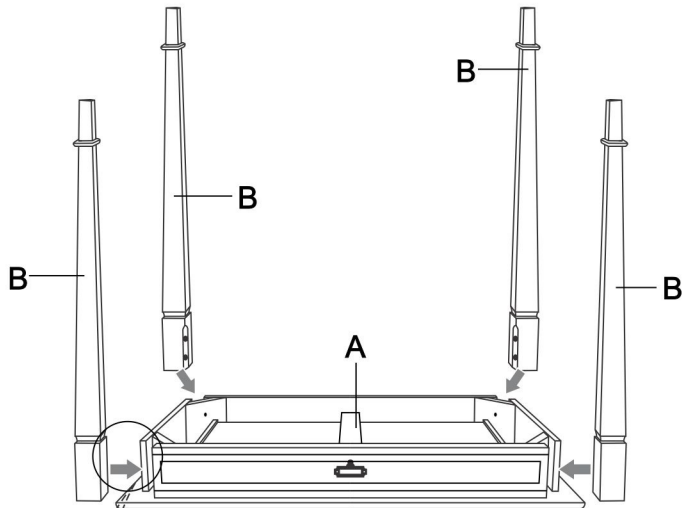
### B. Legs



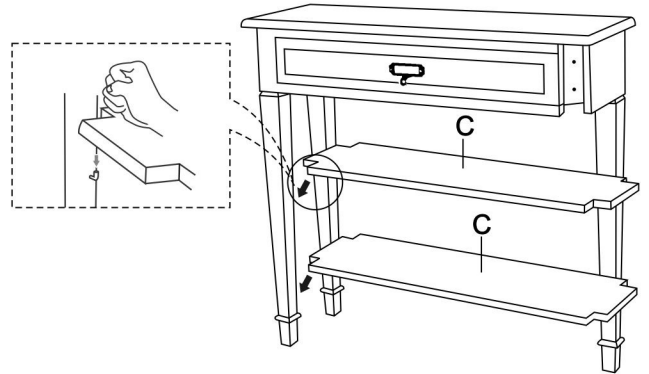
B = (4 pcs)

## Assembly:

①



②



③

