
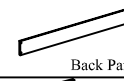

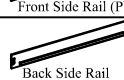
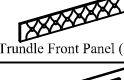


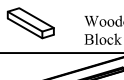

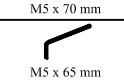



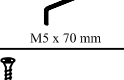
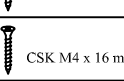

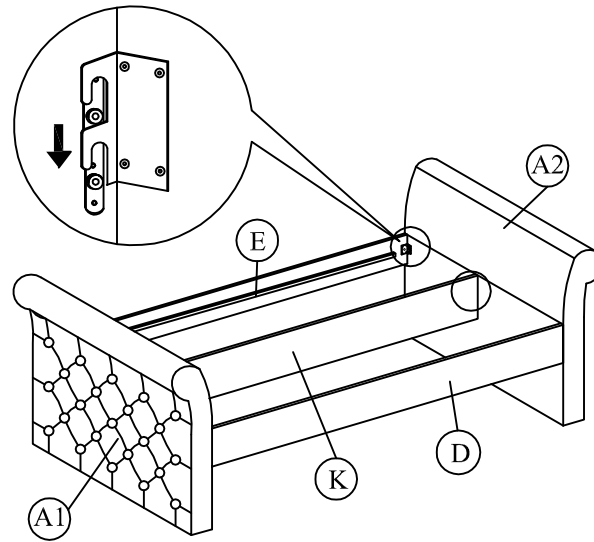


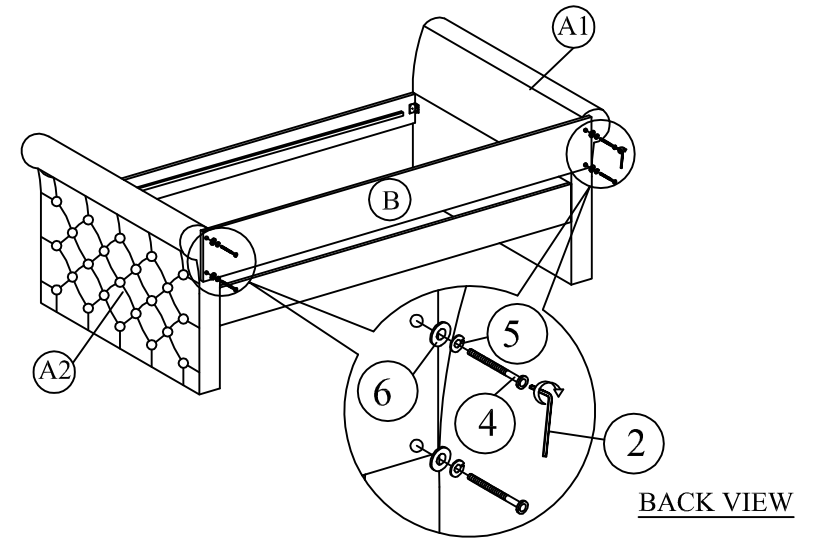
ASSEMBLY INSTRUCTION

A	 Arm	1 pc
B	 Back Panel	1 pc
C	 Slat 14 Pcs	1 pc
D	 Front Side Rail (PU)	1 pc
E	 Back Side Rail	1 pc
F	 Trundle Front Panel (PU)	1 pc
G	 Trundle Back Panel	1 pc
H	 Trundle Side Panel	2 pcs
I	 Slat 13 Pcs	1 pc
J	 Wooden Block	4 pcs
K	 Middle Panel	1 pc
Packing Hardware (1)		
1	 M5 x 70 mm	1 pc
2	 M5 x 65 mm	1 pc
3	 CSK M4 x 32mm	28 pcs
4	 JCBC M6 X 50	4 pcs
5	 SPRING WASHER	4 pcs
6	FLAT WASHER	4 pcs
Packing Hardware (2)		
7	M5 x 70 mm	1 pc
8	CSK M4 x 32 mm	32 pcs
9	CSK M4 x 16 mm	24 pcs
10	Roller	6 pcs

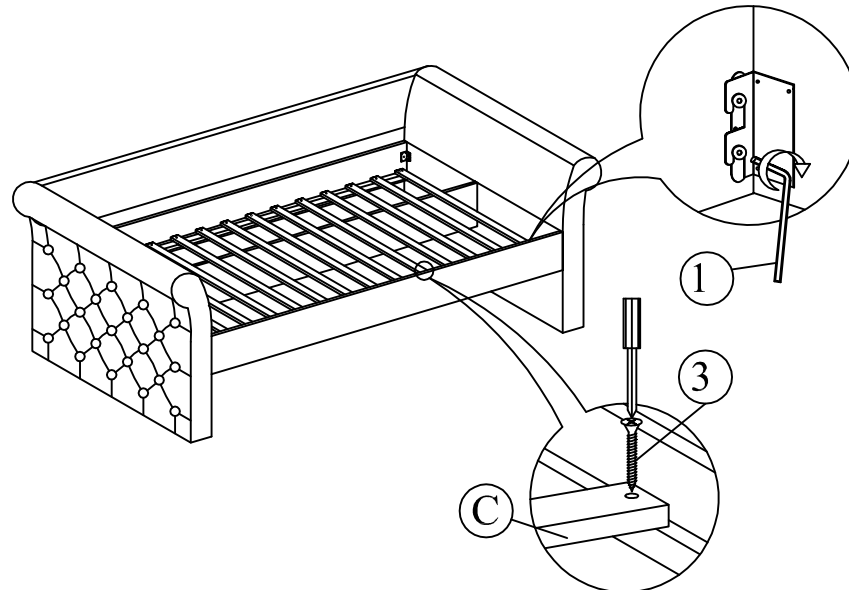
Step 1: Attach side rail (D) & (E) to arm (A) by pushing the bracket down to fit it.



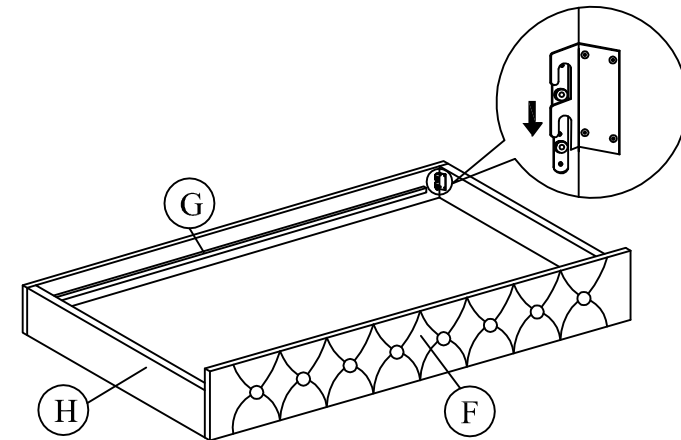
Step 2: Attach the Back Panel (B) to the arm (A) as shown.



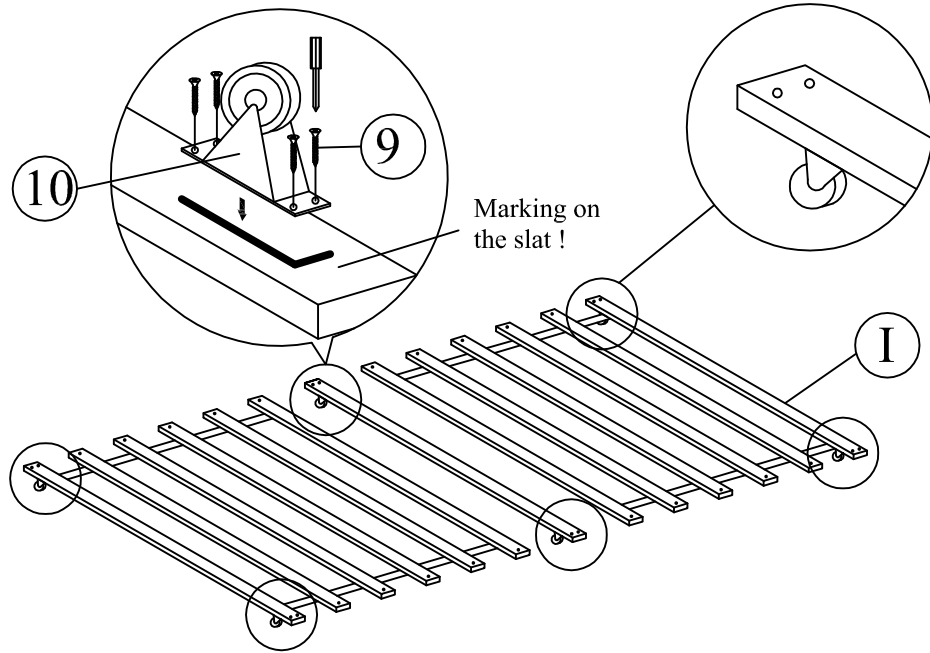
Step 3: Tighten the 4 Corner with Allen Key (1). Install the slats to side rail. Tighten the slats with CSK screw (3). The distance of the slats should be sufficient to obtain desirable bed stability.



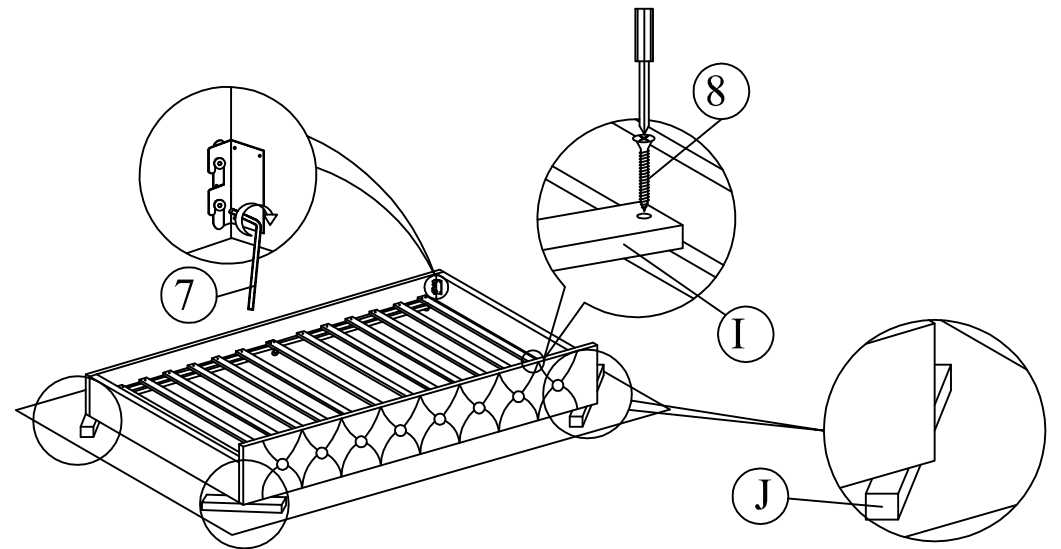
Step 4: Attach trundle side panel (H) and trundle front panel (F) to trundle back panel (G) by pushing the bracket down to fit it.



Step 5: Affix the roller (10) to the slat (I) follow the marking on the slat (H)



Step 6: Place the wooden blocks (J) at the corner of the trundle and fix the slat (I) to the side rail at (F) & (G) .



Step 7: Assembly is complete

