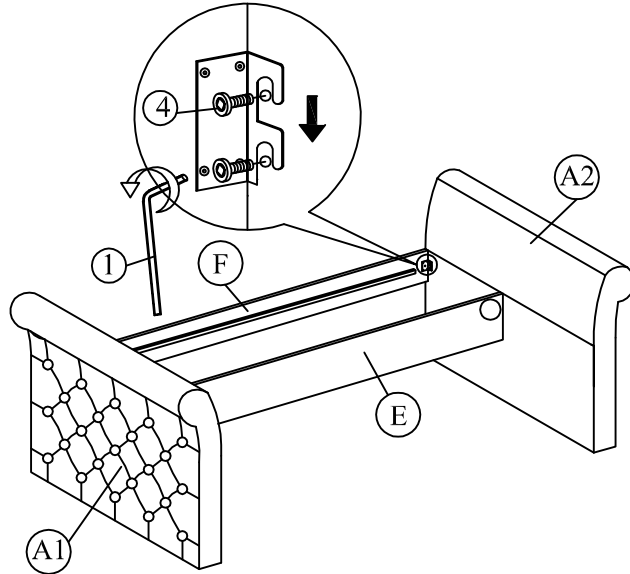
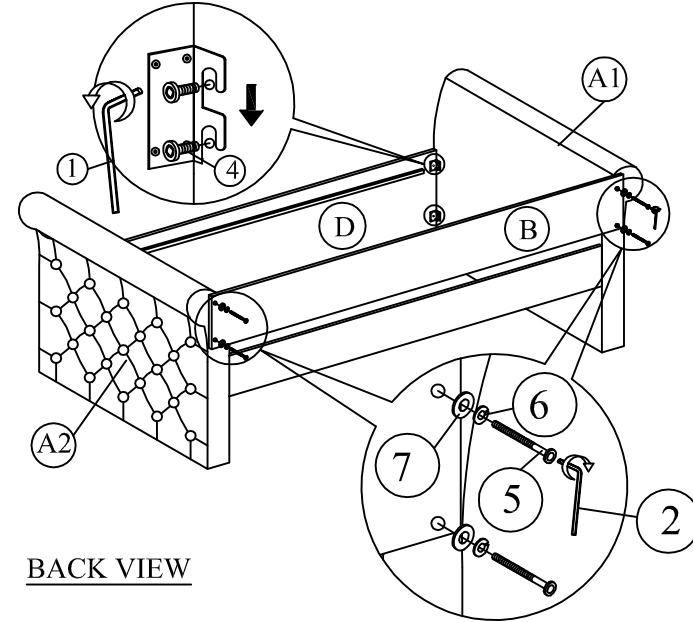


ASSEMBLY INSTRUCTION

Step 1: Attach the back side rail (F) and middle panel (E) to arm (A) by pushing the bracket down to fit it. Tighten with Allen Key (1).

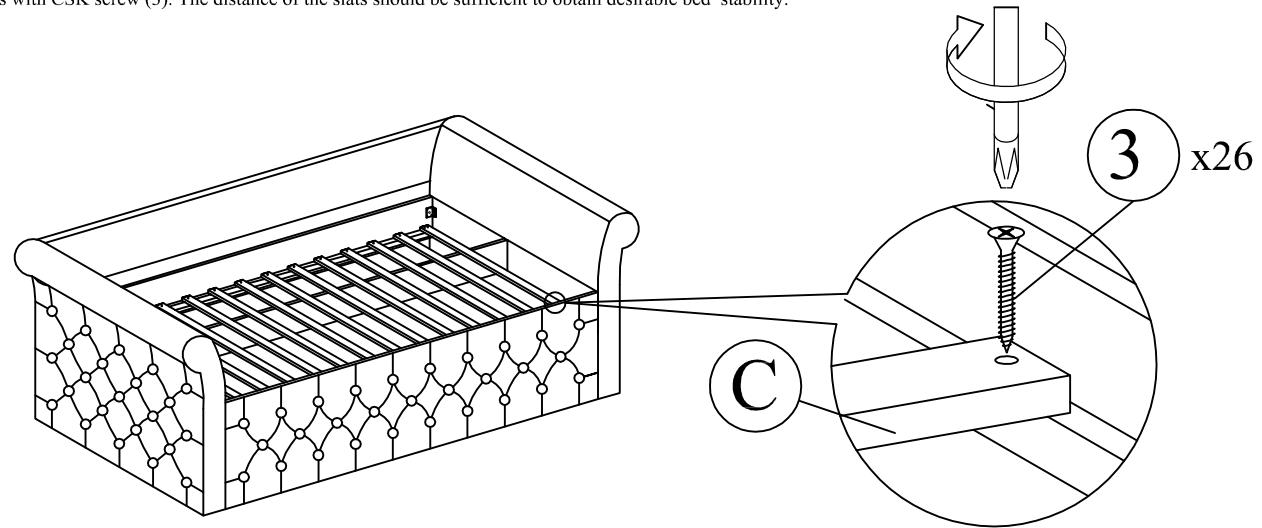


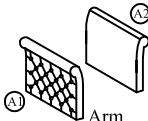
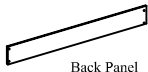
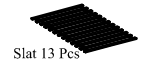
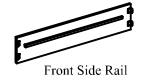


Step 2: Attach the back panel (B) to arm (A). Attach front side rail (D) to arm (A) by pushing the bracket down to fit it. Tighten with Allen Key (1).



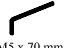
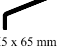





BACK VIEW

Step 3: Tighten the slats with CSK screw (3). The distance of the slats should be sufficient to obtain desirable bed stability.



A	 Arm	1 pc
B	 Back Panel	1 pc
C	 Slat 13 Pcs	1 pc
D	 Front Side Rail	1 pc
E	 Middle Panel	1 pc
F	 Back Side Rail	1 pc

Packing Hardware

1	 M5 x 70 mm	1 pc
2	 M5 x 65 mm	1 pc
3	 CSK M4 x 32mm	26 pcs
4	 JCBB M8 X 20	16 pcs
5	 JCBC M6 X 50	4 pcs
6	 SPRING WASHER	4 pcs
7	 FLAT WASHER	4 pcs