

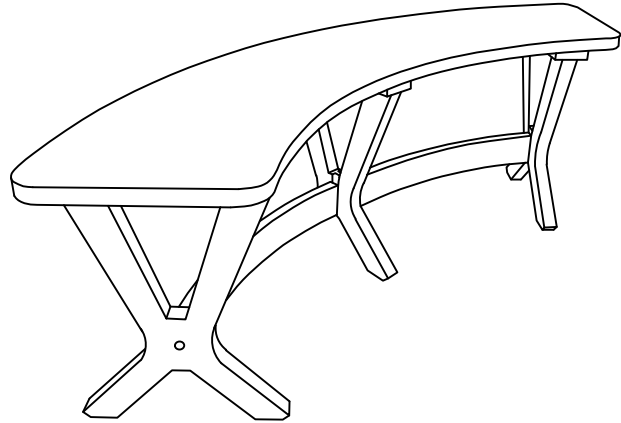
ASSEMBLY INSTRUCTION

IMPORTANT NOTE :






- PLACE ALL WOODEN PARTS ON A CLEAN AND SMOOTH SURFACE SUCH AS A RUG OR CARPET TO AVOID THE PARTS FROM SCRATCHED.
- BEFORE YOU ASSEMBLE THE TABLE, KINDLY FOLLOW THE ASSEMBLE INSTRUCTIONS STEP BY STEP.

PART LIST

NO	DESCRIPTION	QTY
A	WOODEN SEAT	1 pc
B	CENTER LEG	1 pc
C	LEG	2 pcs
D	SUPPORT BAR L & R	2 pcs



HARDWARE LIST

NO	DESCRIPTION	QTY
1	JCBC BOLT M6 x 30mm 	15 pcs
2	JCBC BOLT M6 x 50mm 	2 pcs
3	SPRING WASHER M6 	17 pcs
4	ALLEN KEY M4 x 110mm 	1 pc
5	WOOD BUTTON 13.9mm 	2 pcs

PLEASE FACE DOWN THE BENCH TOP ON SMOOTH SURFACE, ATTACH THE LEG AT CORNER BLOCK. INSERT THE HARDWARE AND TIGHTEN IT.
 ** FOLLOW THE SAME STEP FOR OTHER LEG.

STEP 1

