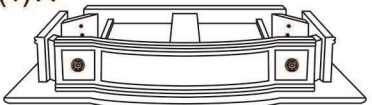


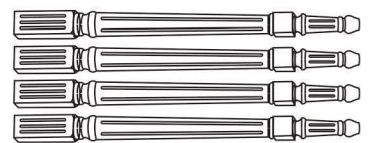
QC
PASSED
DATE
31.10.16



(1) A



(4) B



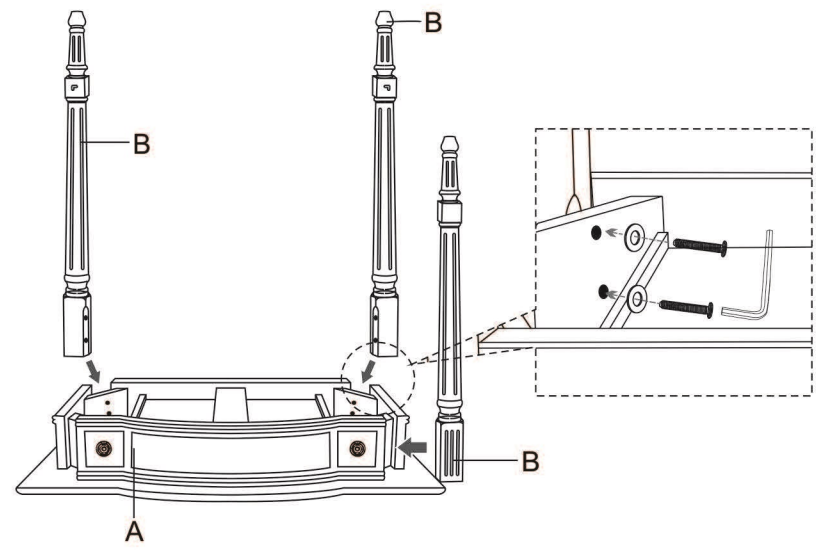
(1) C



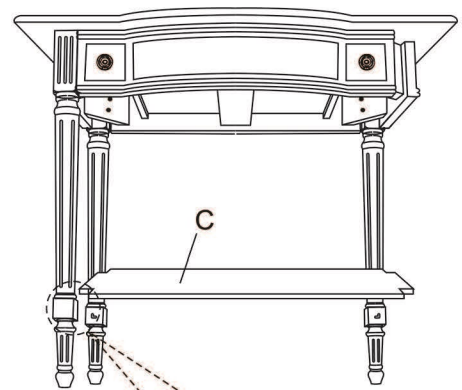
Include:

8 pcs	8 pcs	1 pcs

1



2



3

