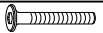





ASSEMBLY INSTRUCTION

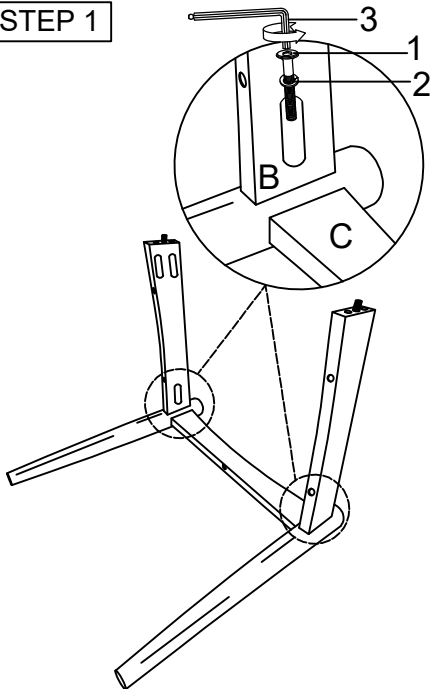
Read instruction carefully. Remove all wrapping material, staples and straps from the carton. See hardware and furniture part list for guidance. Be sure you have all parts before you start assembling. Place all wooden furniture part on a clean and flat soft surface, such as carpet or rug to prevent from being scratched.

CAUTION: 1. DO NOT FULLY TIGHTEN THE NUTS OR SCREWS INITIALLY UNTIL ALL THE NUTS AND SCREWS ARE ASSEMBLED.
 2. DO NOT OVER TIGHTEN THE NUTS OR SCREWS.
 3. KEEP ALL HARDWARE PARTS OUT OF REACH CHILDREN.

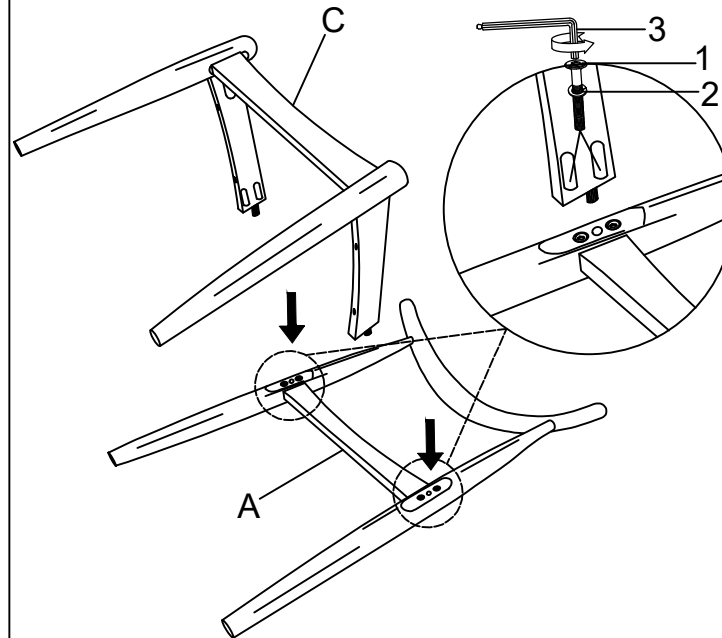
NO	PARTS LIST	QTY
A	BACK REST	1 PC
B	SIDE RAIL	2 PCS
C	FRONT LEG	1 PC
D	CUSHION SEAT	1 PC

NO	HARDWARE LIST	QTY
1	JCBC BOLT M6 x 40mm 	6 PCS
2	SPRING WASHER M6 	6 PCS
3	ALLEN KEY M4 x 110mm 	1 PC
4	CSK-SCREW M4 x 32mm 	6 PC

STEP 1



STEP 2



STEP 3

