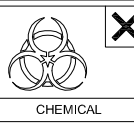
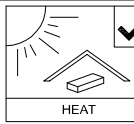




SOFT, DRY CLOTH



CHEMICAL



HEAT



KEEP DRY



HANDLE WITH CARE



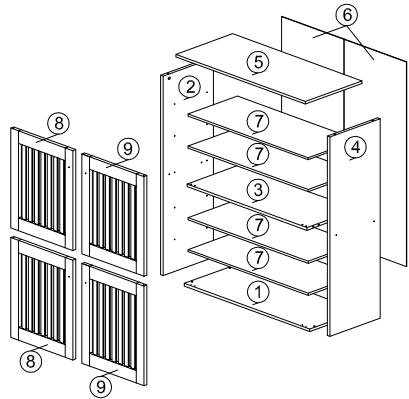
DO NOT USE KNIFE

ASSEMBLY INSTRUCTION

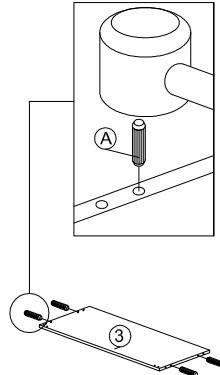
DESCRIPTION : 4 DOOR SHOE CABINET

HARDWARE	A	B	C	D	E	F	G	G1	G2	G3	H	H1	H2	I	I1	I2	J	K	L	M	M1	M2	N	O
	WOOD DOWEL 8 X 25 1X4	CB SCREW M3.5X16MM 1X24	CB SCREW M4X38MM 1X8	NAIL 6/8 1X25	PVC SHELF SUPPORT 1X16	DOOR SUPPORT SPRING 1X2	3.5KG MAGNET (1 HOLE) 4 SETS	3.5KG MAGNET (1 HOLE) 4 SETS	3.5KG MAGNET (1 HOLE) 4 SETS	CB SCREW M3X12MM	MAS L4 1X1	MAS R4 1X1	MAS L2 1X1	MAS R2 1X1	ROUND PLASTIC LEG (PVC) 1X4	HANDLE 5022 (METAL) 1X4	HANDLE 5022 (METAL) 1X4	HANDLE SCREW M4X22MM 1X4	HANDLE SCREW M4X22MM 1X4	MINIFIX 5654+5546 4 SETS	MINIFIX 5654+5546 4 SETS	L-KEY 1X1	QUICKFIT CAP 1X4	

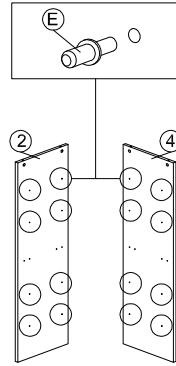
PART LIST



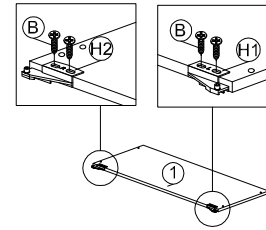
STEP 1



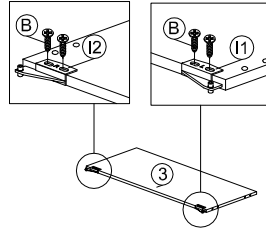
STEP 2



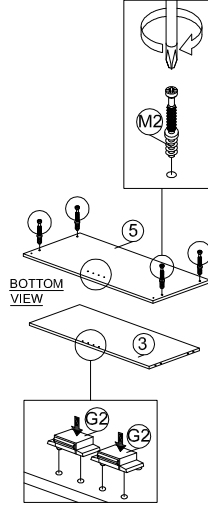
STEP 3



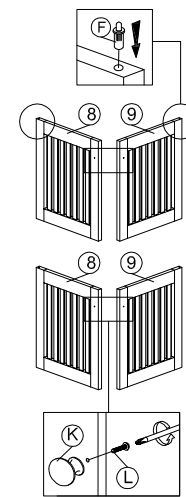
STEP 4



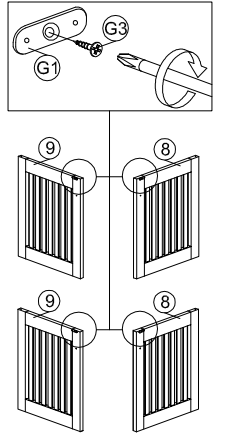
STEP 5



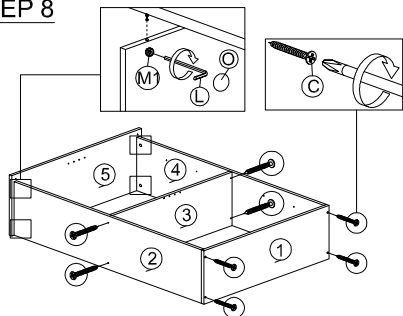
STEP 6



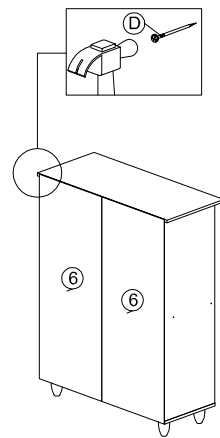
STEP 7



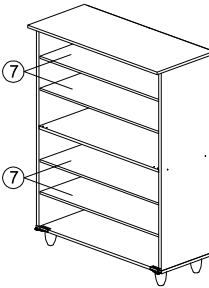
STEP 8



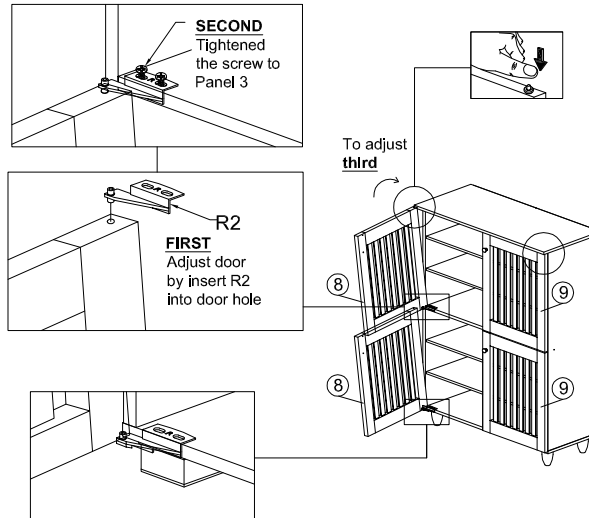
STEP 10



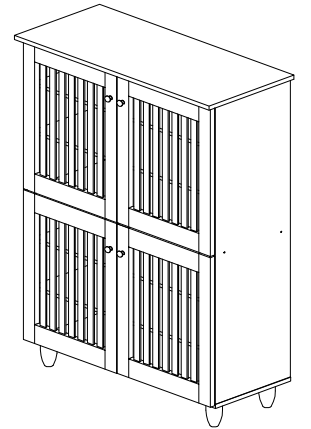
STEP 11



STEP 12



COMPLETED



STEP 9

