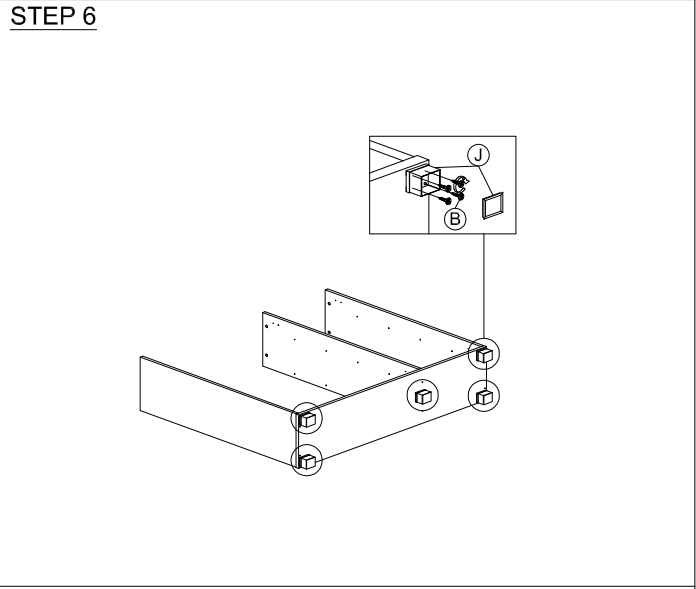
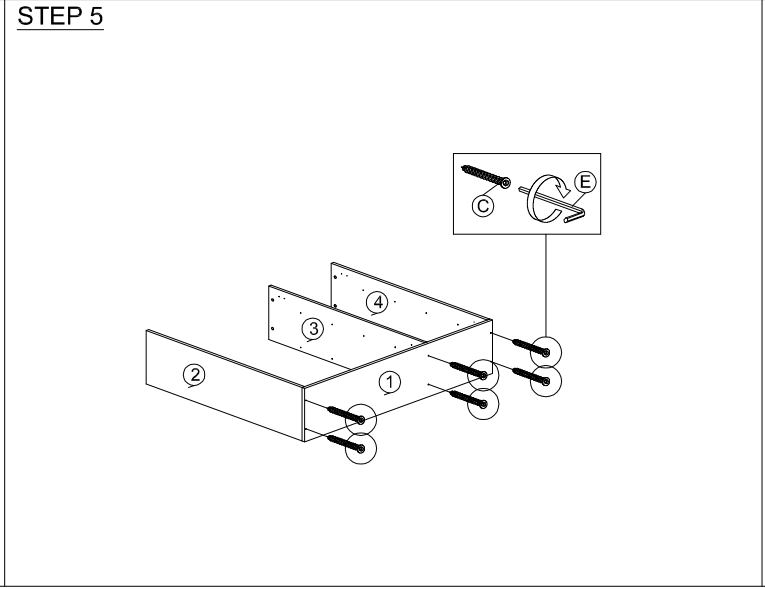
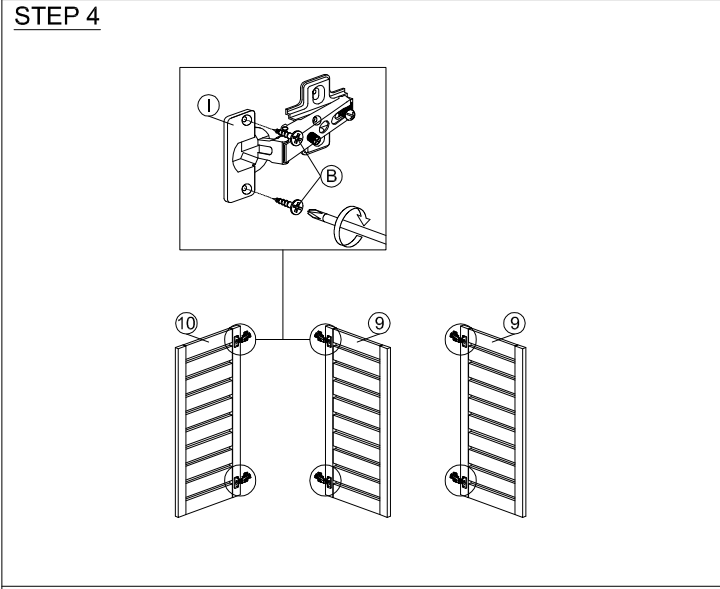
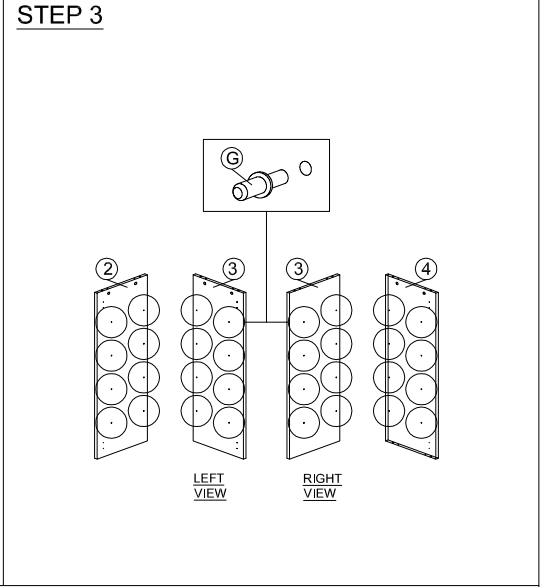
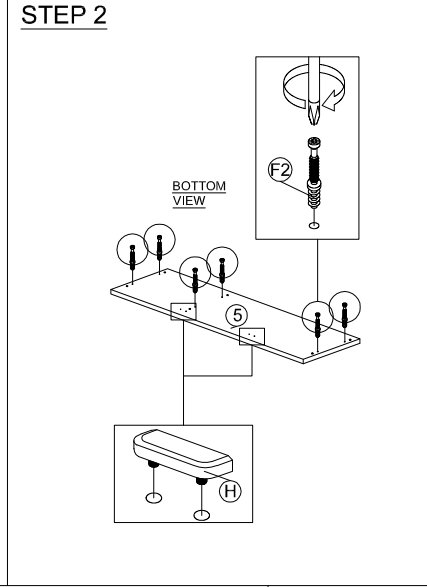
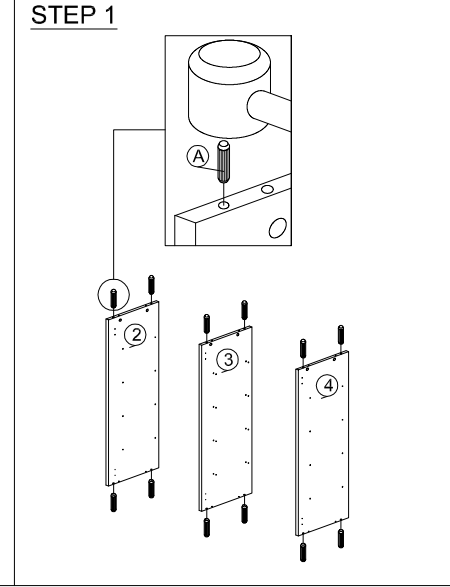
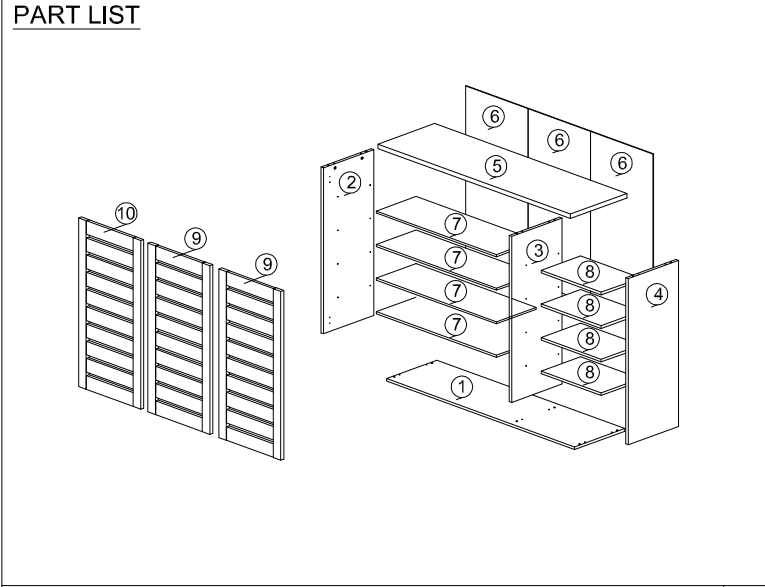


ASSEMBLY INSTRUCTION

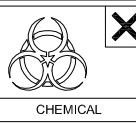
DESCRIPTION : 3 DOORS SHOE CABINET

HARDWARE	A	B	C	D	E	F	G	H	I	J
	WOOD DOWEL 8 X 25 1X12	CB SCREW M3.5X16MM 1X44	CSK CAP WOOD M6X50MM 1X6	NAIL 5/8 1X30	L KEY 1X1	F1 F2 F3 MINIFX 5654+5646 MINIFX CAP 6 SETS	PVC SHELF SUPPORT 1X32	2 PIN STOPPER 1X2	HINGES 5/8 6 SETS	5038 PVC LEG 1X5

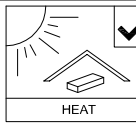




SOFT, DRY CLOTH



CHEMICAL



HEAT



KEEP DRY



HANDLE WITH CARE



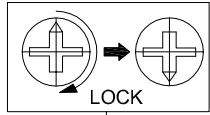
DO NOT USE KNIFE

ASSEMBLY INSTRUCTION

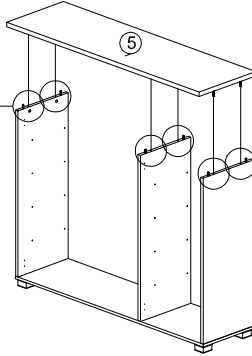
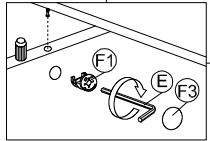
MODEL : SC 863533

DESCRIPTION : 3 DOORS SHOE CABINET

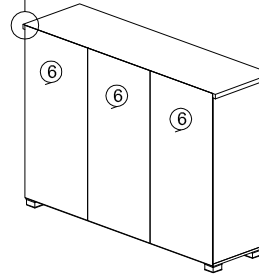
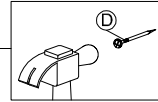
STEP 7



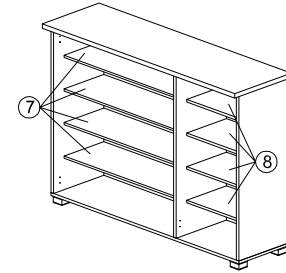
LOCK



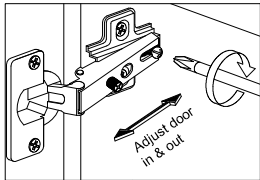
STEP 8



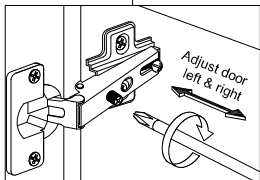
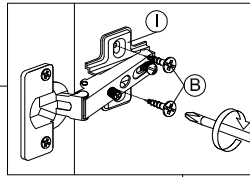
STEP 9



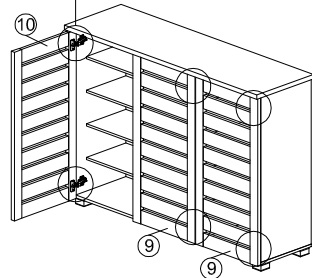
STEP 10



Adjust door in & out



Adjust door left & right



COMPLETED

