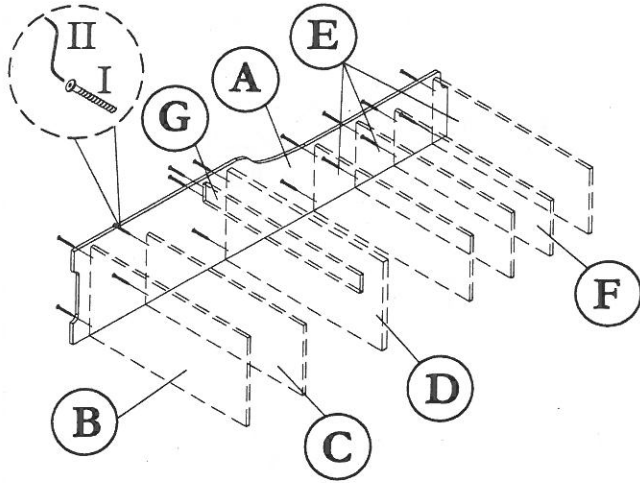


ASSEMBLY INSTRUCTION

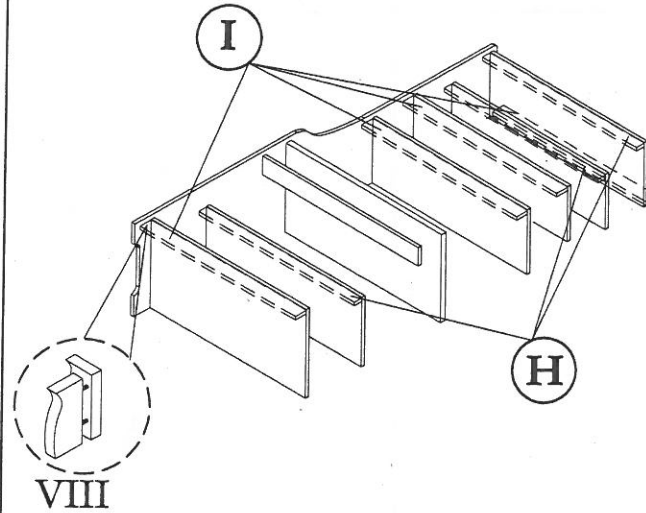
MODEL : 8678 / KITCHEN CABINET

Before you begin, please follow assembly instruction carefully.
Then follow them step by step.

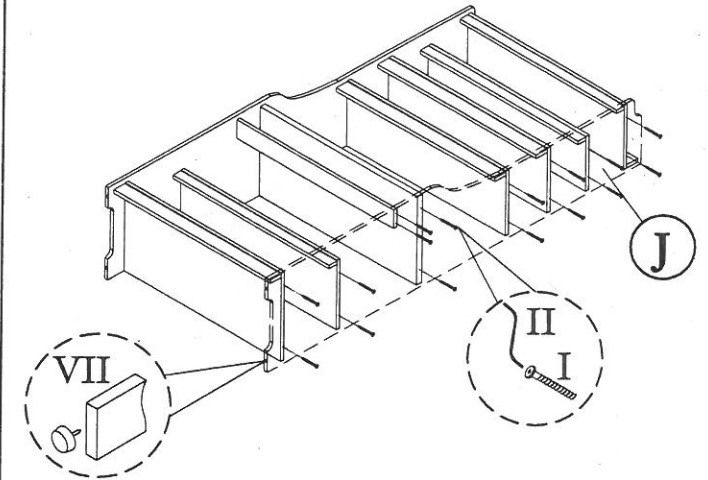
STEP 1



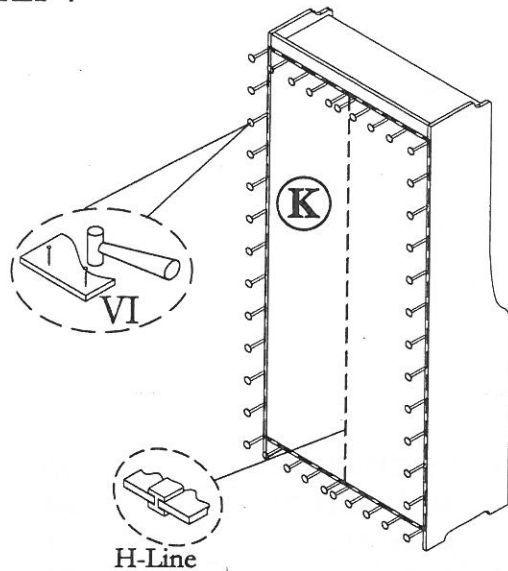
STEP 2



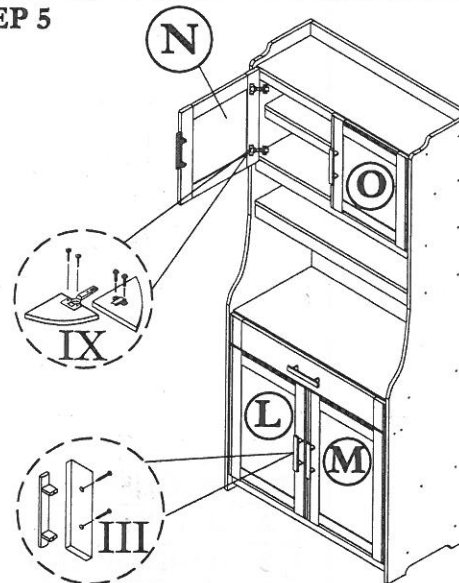
STEP 3



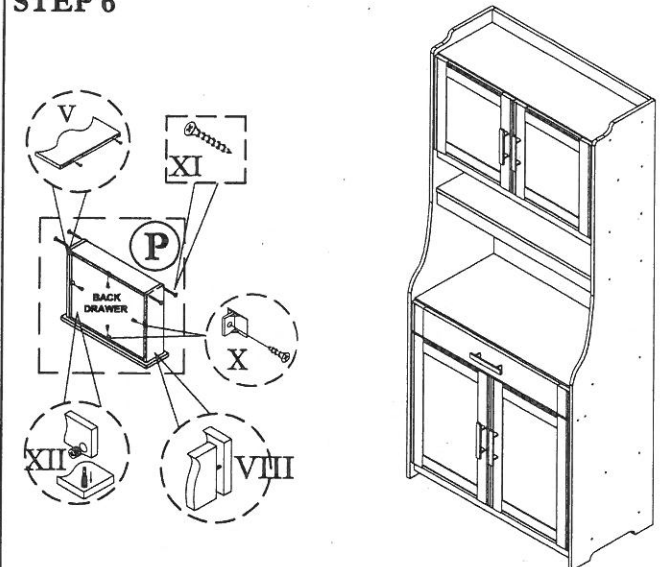
STEP 4



STEP 5



STEP 6



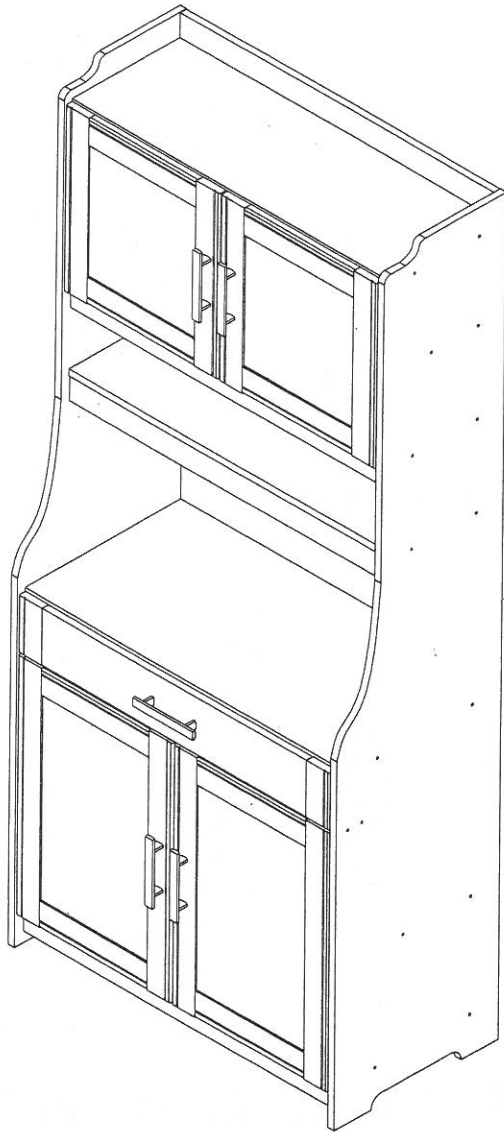
HARDWARE LIST			
NO	DESCRIPTION		QTY
I	JCBCW SCREW M6 x 45		32pcs
II	M4 ALLEN KEY		1pc
III	HANDLE & SCREW M3.5 x 30		5sets
IV	CAP SMALL		32pcs

V	12" DRAWER SLIDER & SCREW M3.5 x 12		1sets
VI	NAIL		60pcs
VII	PVC NAIL WITH PIN		4pcs
VIII	M8 x 30 PLASTIC DOWEL		24pcs
IX	HINGE (C) & SCREW M3.5 x 16		8sets
X	DRAWER SUPPORT & SCREW M3.5 x 12		4sets

XI	M8 x 32 CHIPBOARD SCREW		4pcs
XII	Q-FIT		2sets

CAUTION:

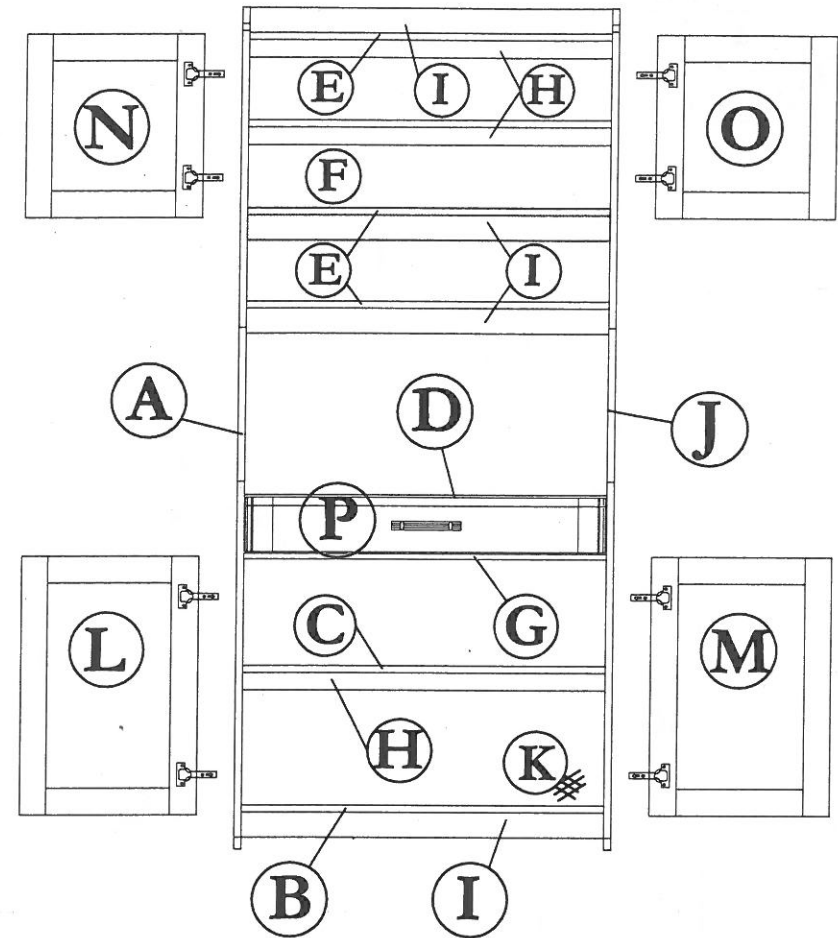
To clean use soft, dry cloth. Do not use detergent or chemicals
 Avoid contact with water and direct sunlight.
 To be assembled on a soft, dry, clean and smooth surface.



COMPLETE SET

ORDERING REPAIR PARTS

In order to obtain smooth and rapid service when ordering repair parts, please give full attention to the following of PART NUMBER.



NO	DESCRIPTION	QTY
A	LEFT SIDE	01
B	LOWER SHELF	01
C	CENTRE SHELF	01
D	CENTRE SHELF	01
E	SHELF	03
F	SHELF	01
G	HORIZONTAL SHELF	01
H	SHELF SUPPORT	03

NO	DESCRIPTION	QTY
I	SHELF SUPPORT	04
J	RIGHT SIDE	01
K	BACK	02
L	LEFT SIDE DOOR (Bottom)	01
M	RIGHT SIDE DOOR (Bottom)	01
N	LEFT SIDE DOOR (Top)	01
O	RIGHT SIDE DOOR (Top)	01
P	DRAWER FACE	01