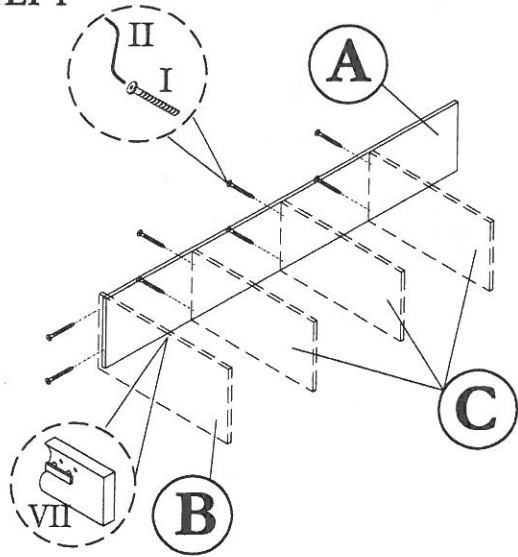


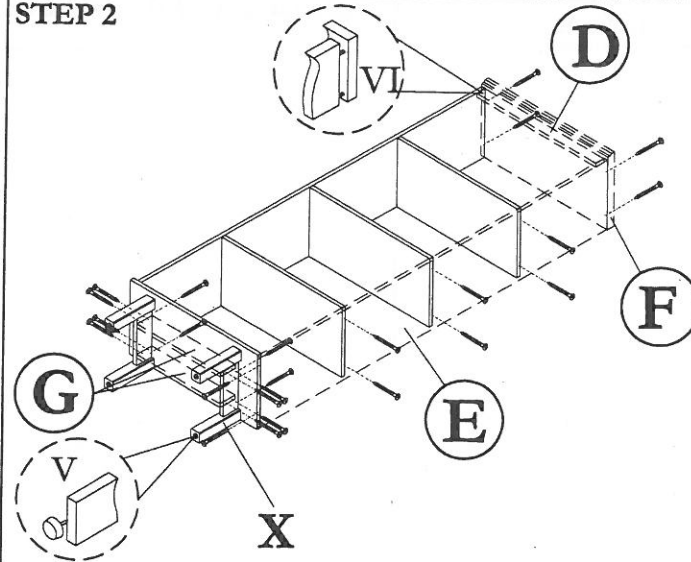
ASSEMBLY INSTRUCTION
MODEL : 1193 / BOOKCASE

Before you begin, please follow assembly instruction carefully.
 Then follow them step by step.

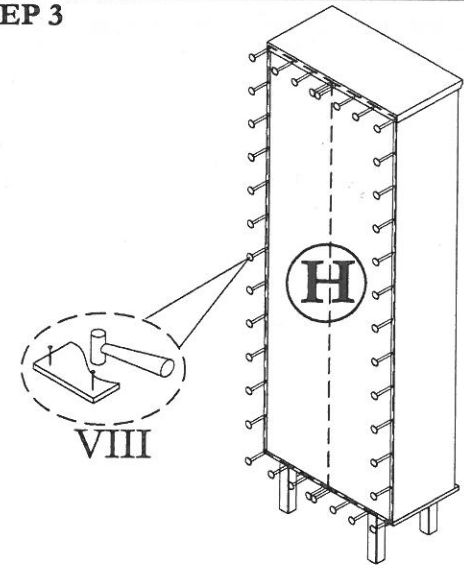
STEP 1



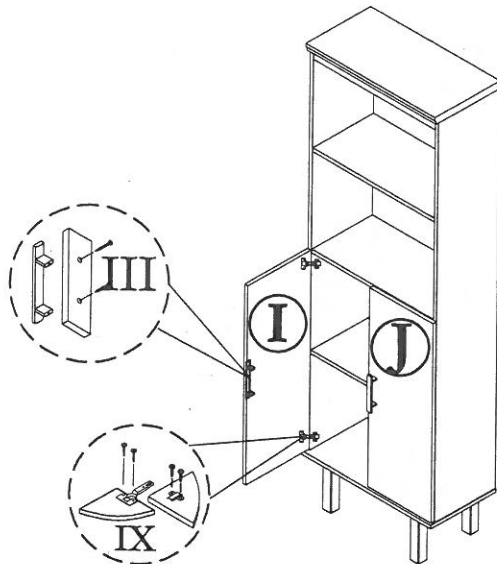
STEP 2



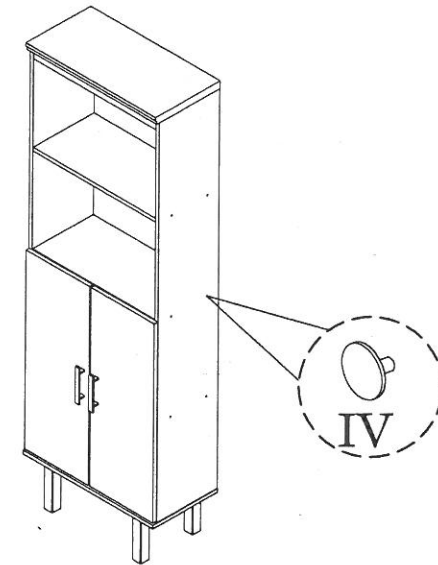
STEP 3



STEP 4



STEP 5



HARDWARE LIST			
NO	DESCRIPTION		QTY
I	JCBCW SCREW M6 x 45		32pcs
II	M4 ALLEN KEY		1pc
III	HANDLE & SCREW M3.5 x 30		2sets

IV	CAP SMALL		24pcs
V	PVC NAIL WITH PIN		4pcs
VI	M8 x 30 PLASTIC DOWEL		2pcs
VII	HIPS STOPPER & SCREW M3.5 x 16		1set
VIII	NAIL		50pcs

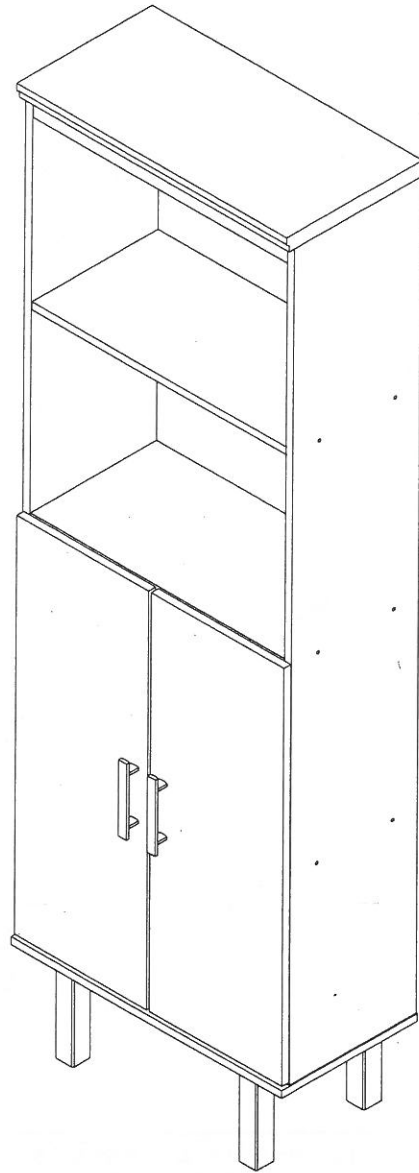
IX	HINGE (A) & SCREW M3.5 x 16		4sets
X	WOOD LEG SIZE : 11 6/8 "		2pcs

CAUTION:

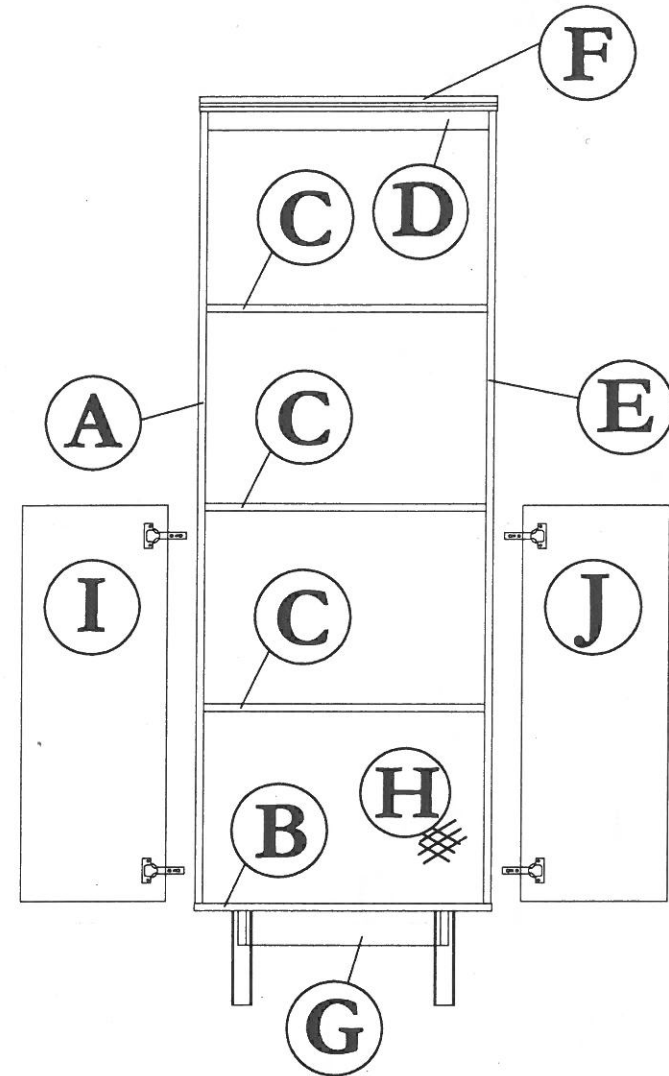
To clean use soft, dry cloth. Do not use detergent or chemicals
Avoid contact with water and direct sunlight.
To be assembled on a soft, dry, clean and smooth surface.

ORDERING REPAIR PARTS

In order to obtain smooth and rapid service when ordering repair parts,
please give full attention to the following of PART NUMBER.



COMPLETE SET



NO	DESCRIPTION	QTY
A	LEFT SIDE	01
B	LOWER SHELF	01
C	CENTRE SHELF	03
D	TOP SUPPORT	01
E	RIGHT SIDE	01

NO	DESCRIPTION	QTY
F	TOP	01
G	LEG	02
H	BACK	02
I	LEFT SIDE DOOR	01
J	RIGHT SIDE DOOR	01