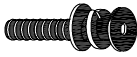
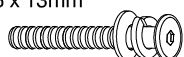

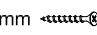


ASSEMBLY INSTRUCTIONS

IMPORTANT NOTE :

- * PLACE ALL WOODEN PARTS ON A CLEAN AND SMOOTH SURFACE SUCH AS A RUG OR CARPET TO AVOID THE PARTS FROM BEING SCRATCHED.
- * BEFORE YOU BEGIN, KINDLY FOLLOW THE ASSEMBLY INSTRUCTIONS STEP BY STEP.
- * DO NOT TIGHTEN ALL SCREWS UNTIL THE CHAIR IS FULLY SET-UP.

HARDWARE LIST		PART LIST			
A	JCBC M6 x 30mm + S/W M6 + F/W M6 x 13mm 	4PCS	1	LEG FRAME (LEFT)	1PC
			2	LEG FRAME (RIGHT)	1PC
			3	FRONT RAIL	1PC
B	JCBC M6 x 50mm + S/W M6 + F/W M6 x 13mm 	2PCS	4	BACK RAIL	1PC
			5	FRONT STRETCHER	1PC
C	ALLEN KEY M4 	1PC	6	BACK STRETCHER	1PC
D	FH SCREW # 8 x 32mm 	11PCS	7	TOP REST	1PC
			8	CUSHION SEAT	1PC

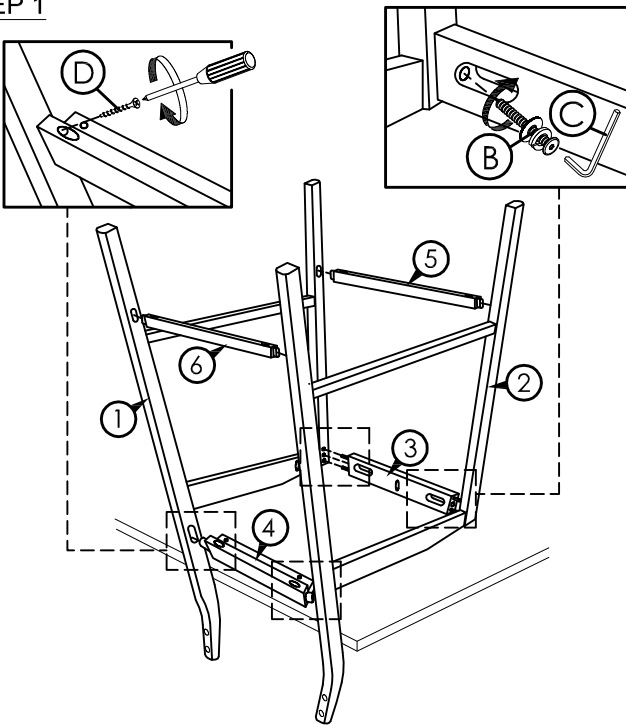
CAUTIONS :

(1) DO NOT FULLY-TIGHTEN THE NUT OR NUT BOLTS INITIALLY UNTIL ALL NUTS OR BOLT IS READY ASSEMBLED.

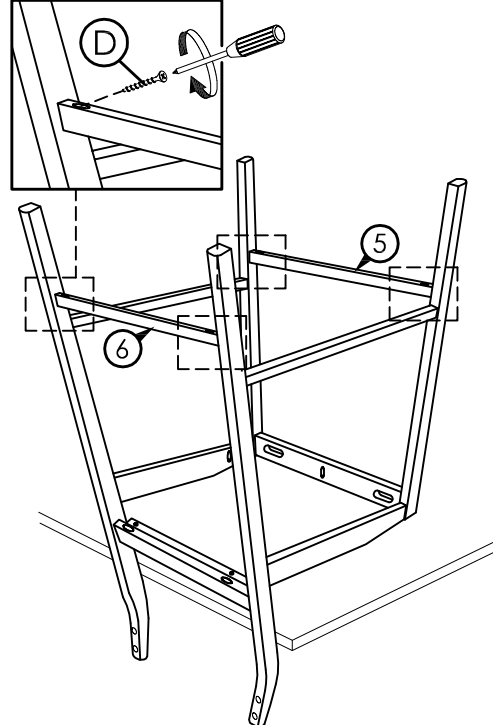
(TO AVOID CAUSING DAMAGES TO THE THREAD, DO NOT OVER-TIGHTEN THE NUTS OR BOLTS.)

(2) KEEP ALL HARDWARE PART OUT OF REACH OF CHILDREN.

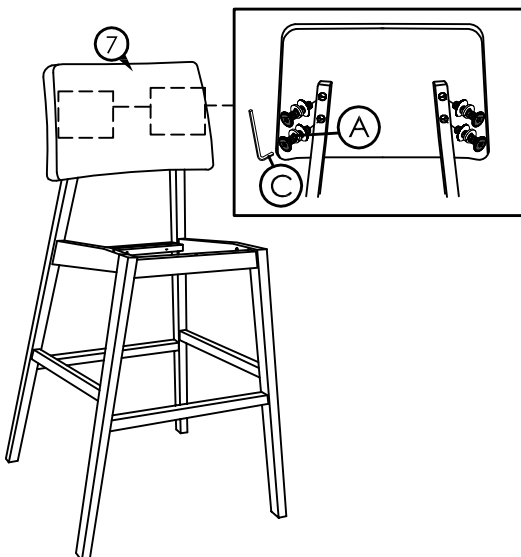
STEP 1



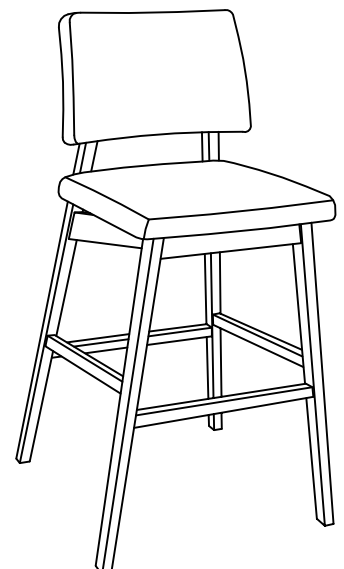
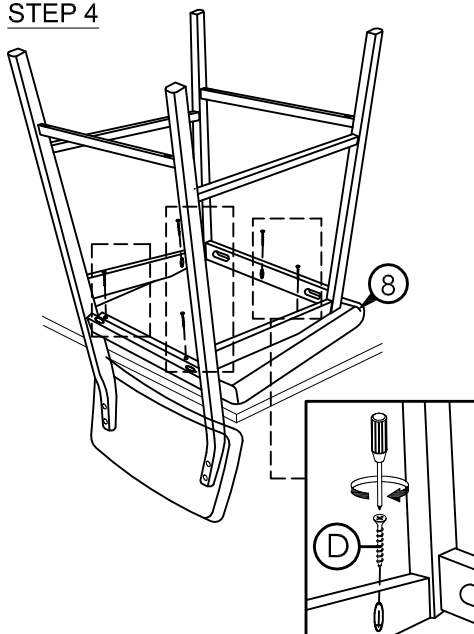
STEP 2



STEP 4



STEP 4



COMPLETED
BAR STOOL ASSEMBLY.