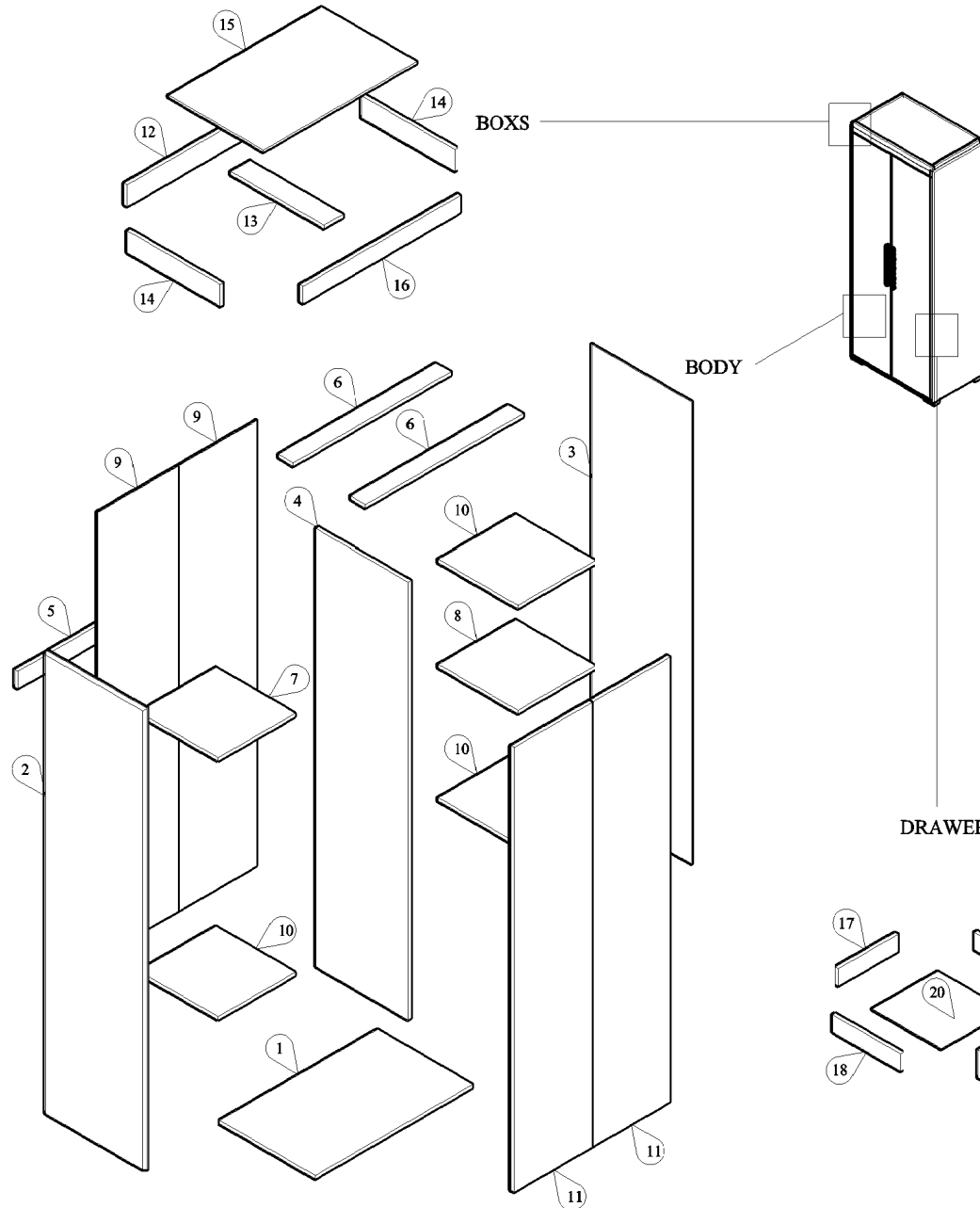
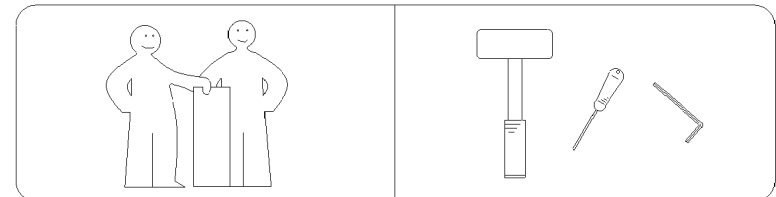


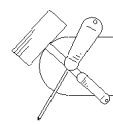
MODEL : BR3 WR 307WI

PANEL POSITION



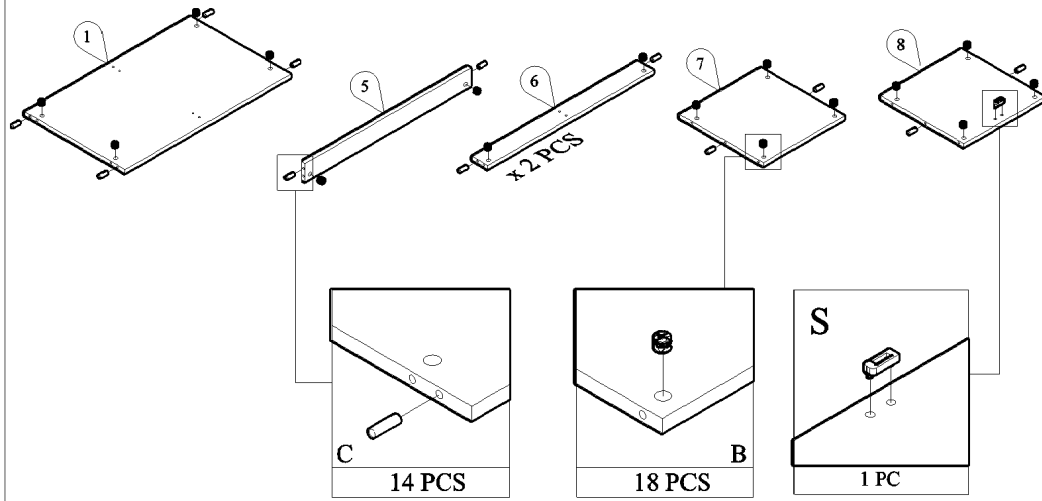
	ACCESSORIES	QUANTITY
A	MINIFIX M5 x 24MM	26 PCS
B	MINIFIX CASING	26 PCS
C	WOOD DOWEL M8 x 30MM	26 PCS
D	IRON SHELF SUPPORT	12 PCS
E	DRAWER SLIDE 14" SCREW M3.5 x 12MM	1 SET 12 PCS
F	SCREW M6 x 50MM	4 PCS
G	POWER PIN	25 PCS
H	HINGES 7/8" SCREW M3.5 x 16MM	6 PCS 36 PCS
I	SCREW M4 x 38MM	4 PCS
J	DRAWER SUPPORT SCREW M3.5 x 16MM	2 PCS 4 PCS
K	CAMPLOCK	1 PC
L	HANGING STEEL	1 PC
M	PVC H RAIL	1 PC
N	V-BRACKET SCREW M3.5 x 16MM	2 PCS 4 PCS
O	PVC LONG HANDLE SCREW M4 x 28MM	2 PCS 4 PCS
P	PVC LEG SCREW M4 x 38MM	5 PCS 10 PCS
Q	ALLEN KEY	1 PC
R	SCREW M4 x 28MM	4 PCS
S	STOPPER INSERT	1 PC



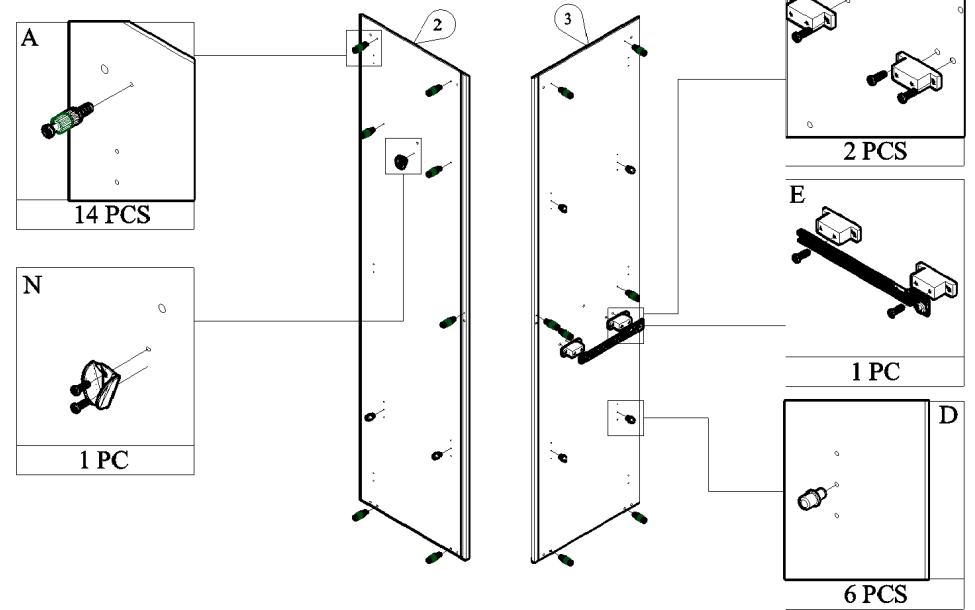


START ASSEMBLY

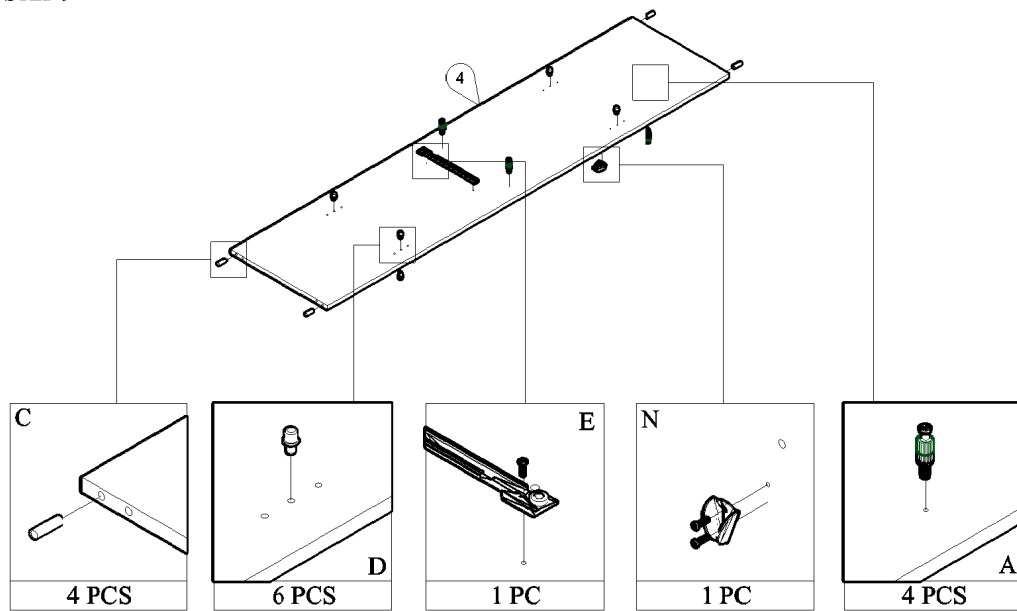
STEP 1



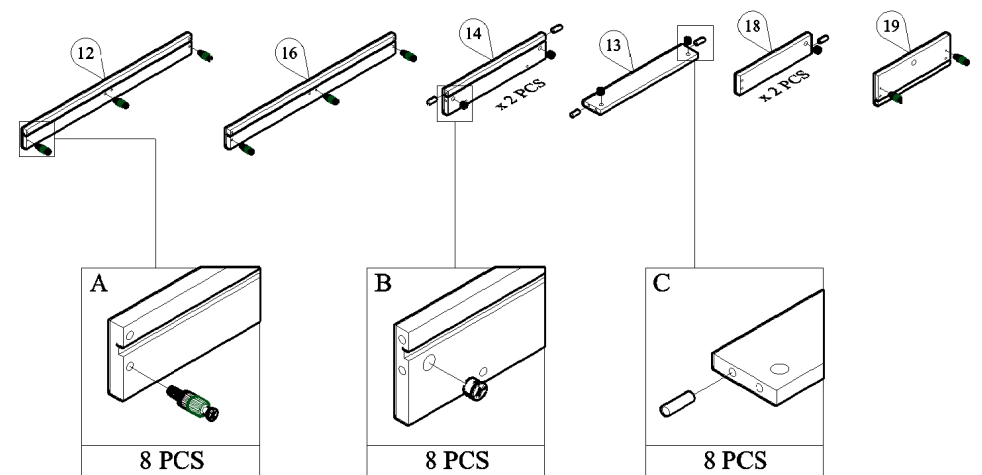
STEP 2



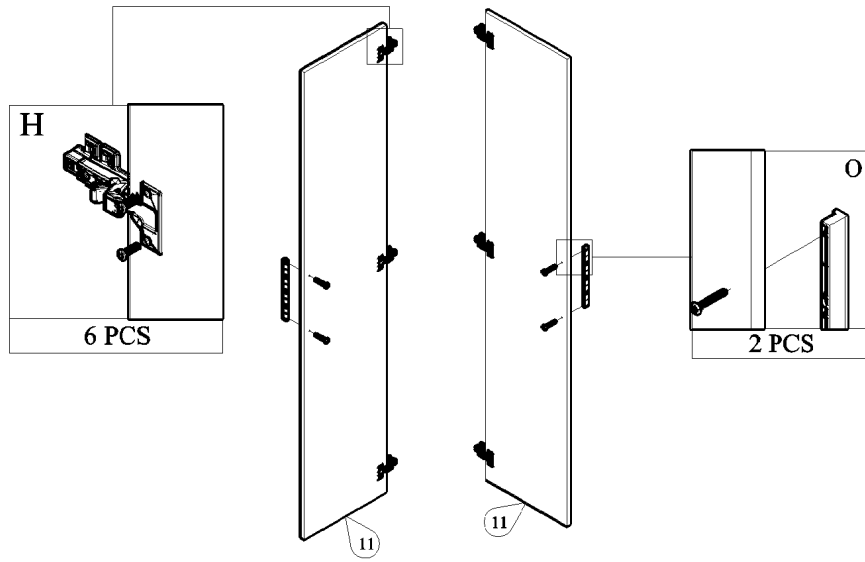
STEP 3



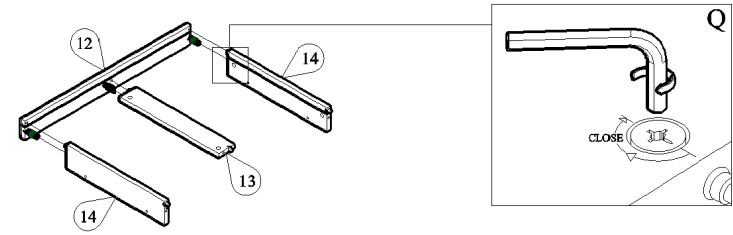
STEP 4



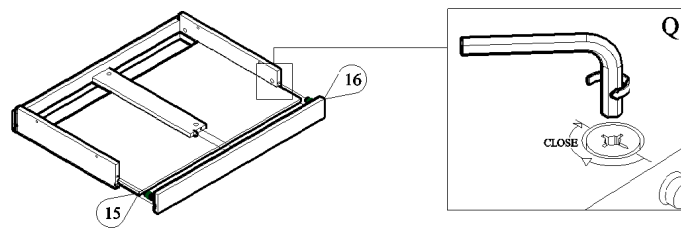
STEP 5



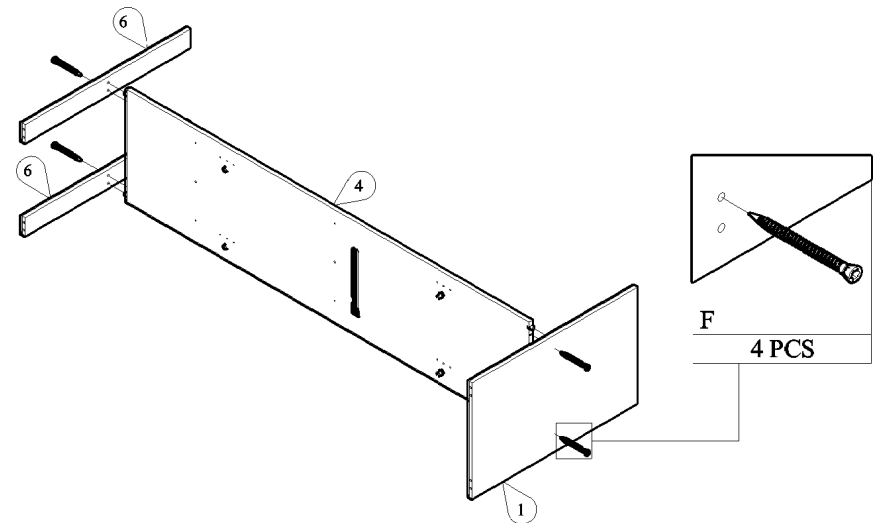
STEP 6 (BOX)



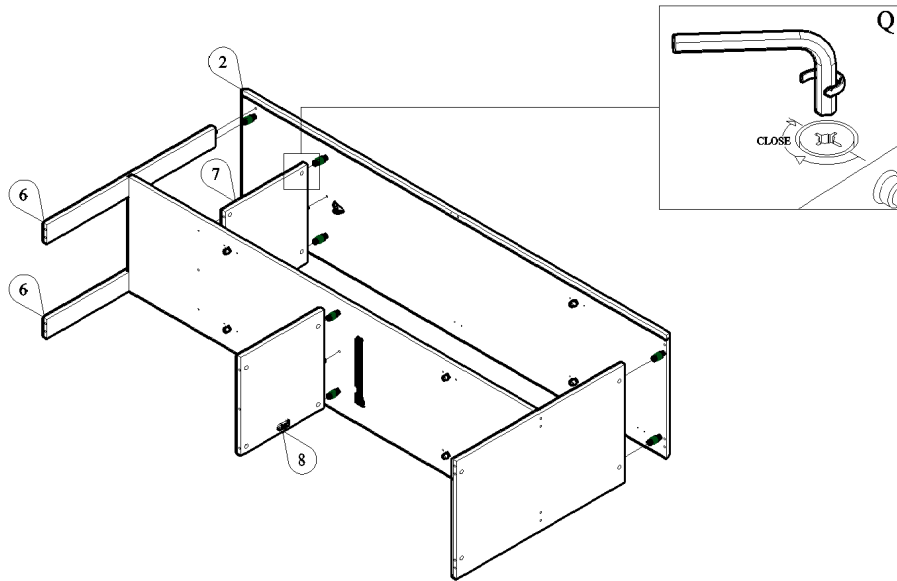
STEP 7 (BOX)



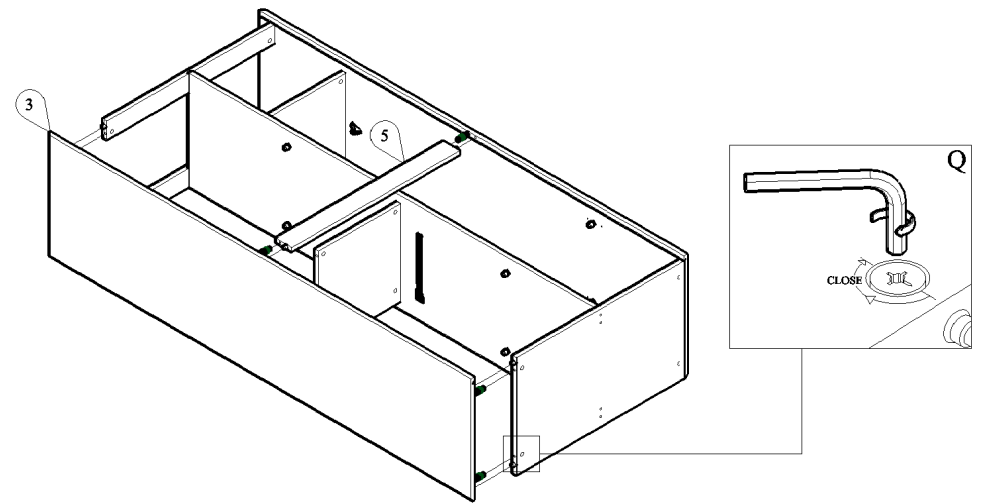
STEP 8



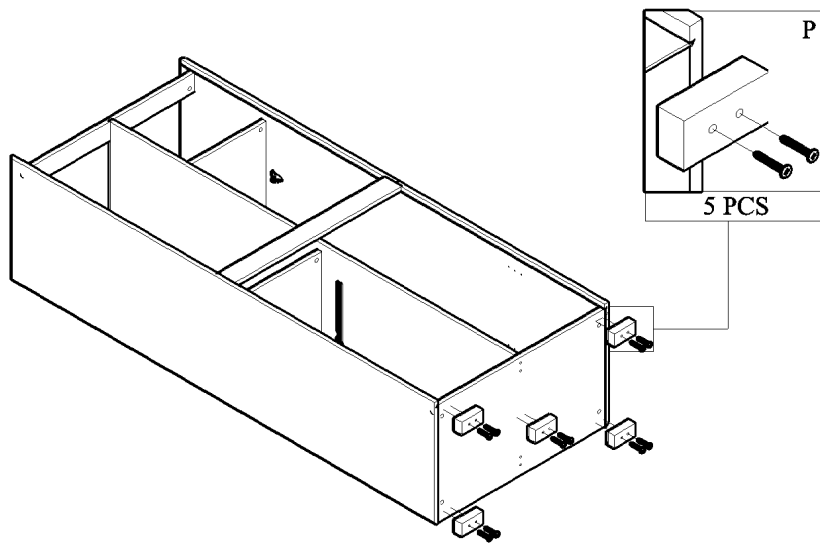
STEP 9



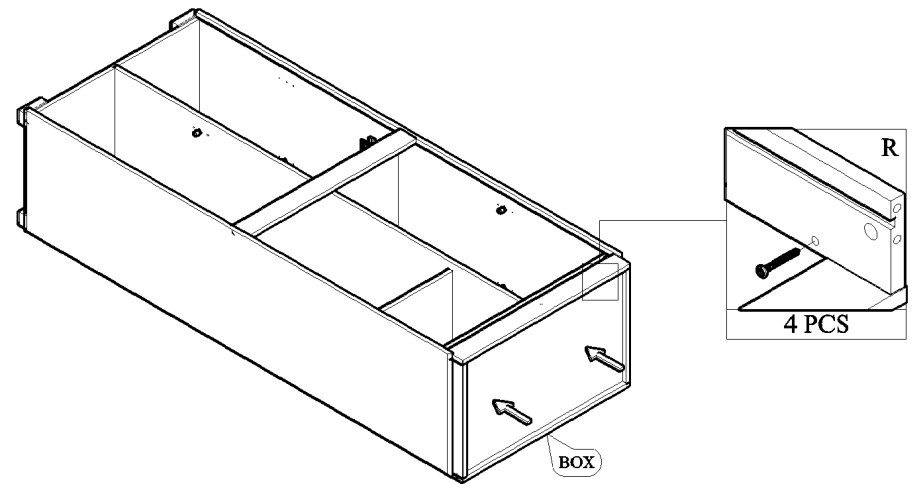
STEP 10



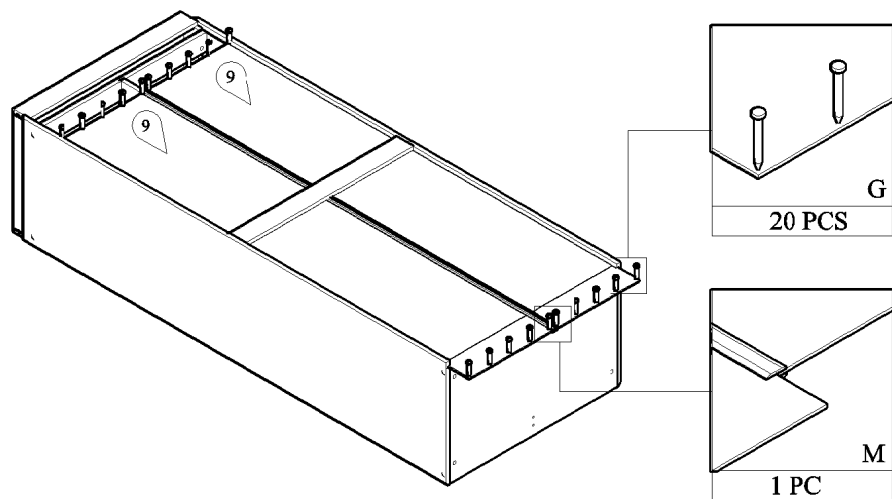
STEP 11



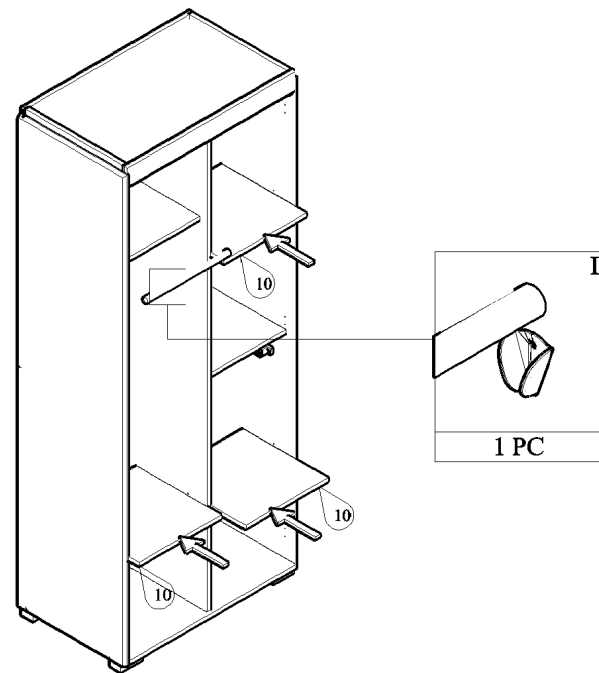
STEP 12



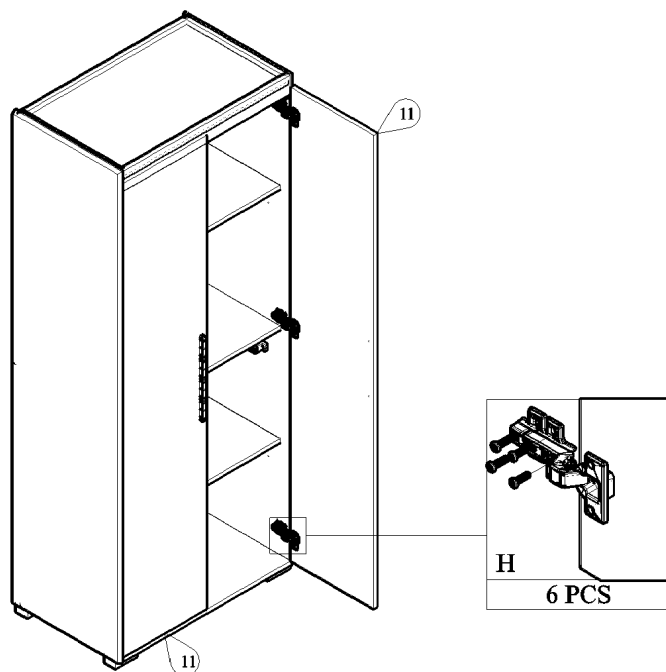
STEP 13



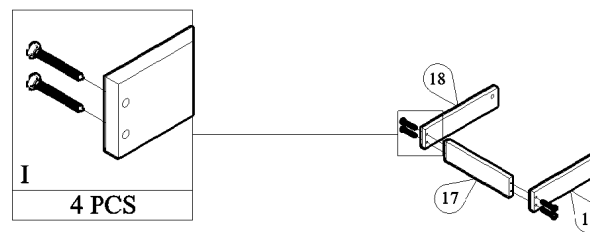
STEP 14



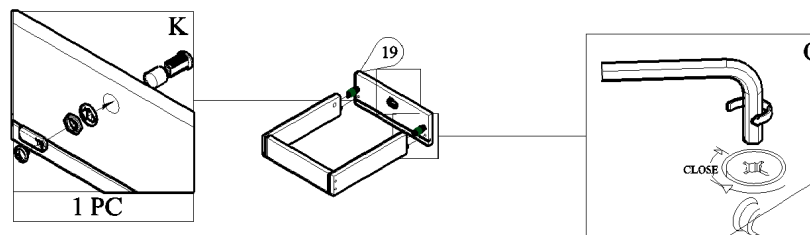
STEP 15



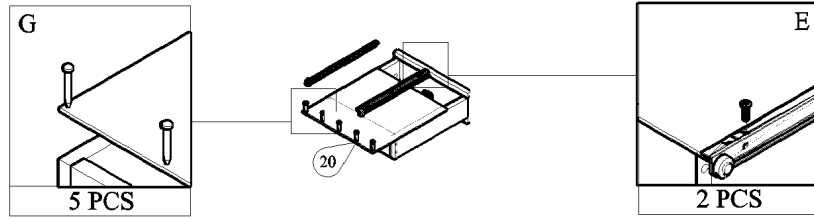
STEP 16



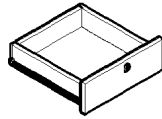
STEP 17



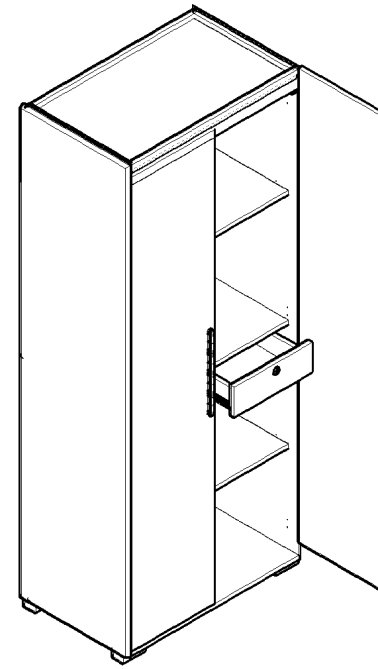
STEP 18



DRAWER COMPLETED



STEP 19



COMPLETED

