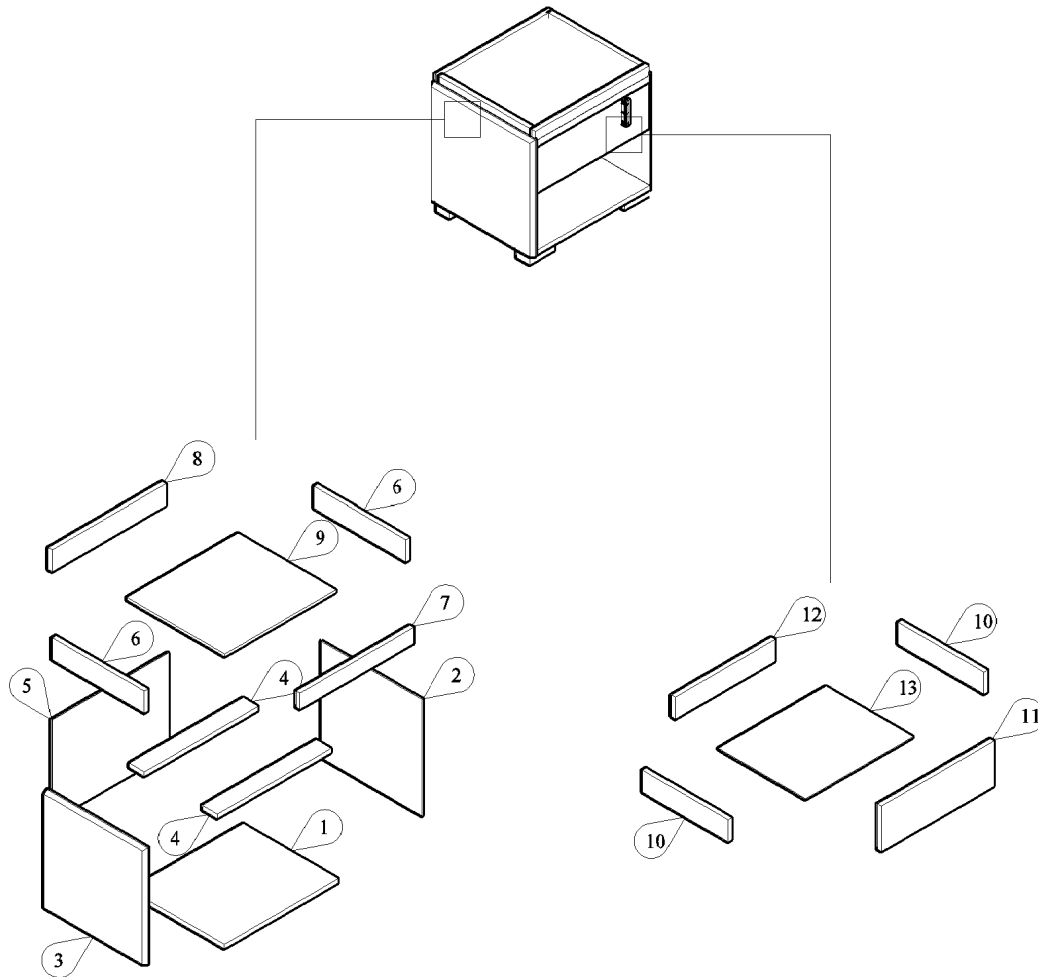






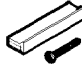
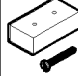


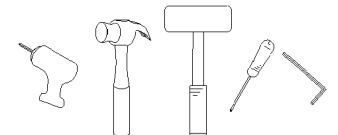


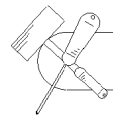
# MODEL : BR3 NT 304WI

## PANEL POSITION



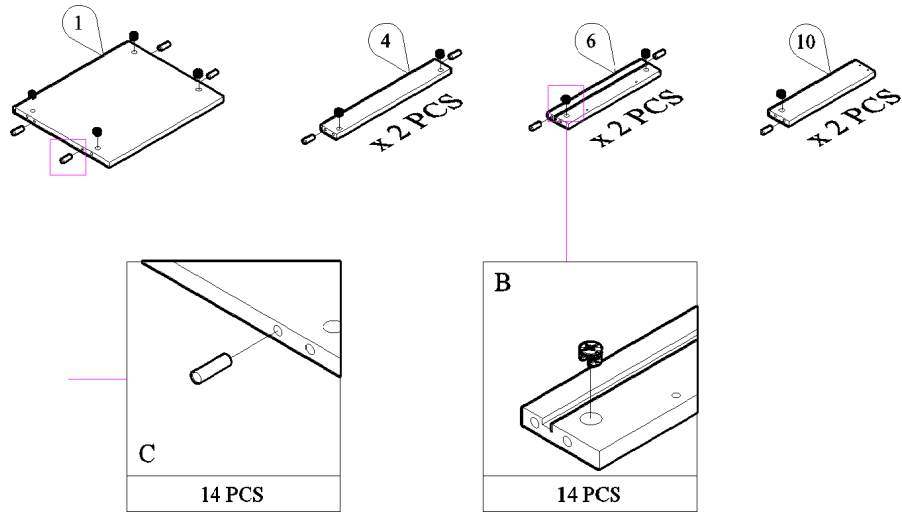
	ACCESSORIES	QUANTITY
A	 MINIFIX M5 x 24MM	14 PCS
B	 MINIFIX CASING	14 PCS
C	 WOOD DOWEL M8 x 30MM	14 PCS
D	 SCREW M4 x 38MM	4 PCS
E	 SCREW M4 x 28MM	4 PCS
F	 DRAWER SLIDE 14" SCREW M3.5 x 12MM	1 SET 12 PCS
G	 PVC HANDLE SCREW M4 x 28MM	1 PC 2 PCS
H	 PVC LEG SCREW M4 x 38MM	4 PCS 8 PCS
I	 POWER PIN	15 PCS
J	 ALLEN KEY	1 PC



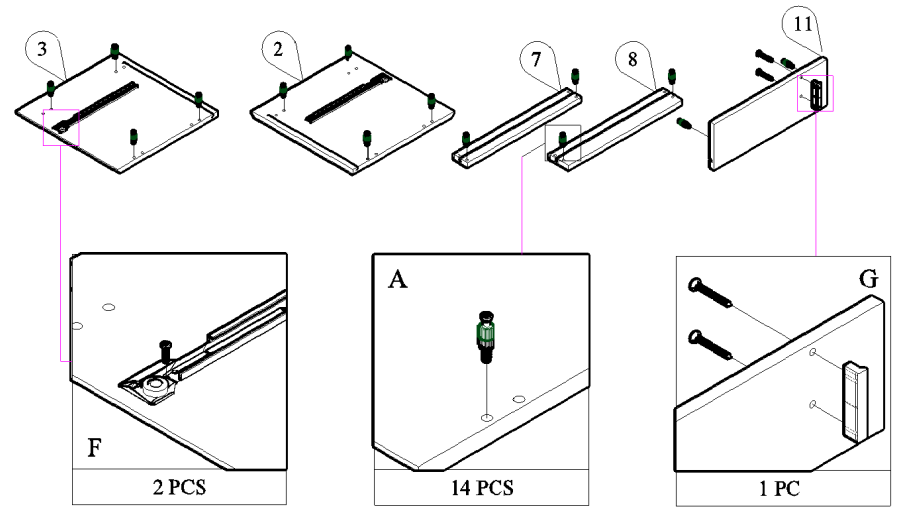


# START ASSEMBLY

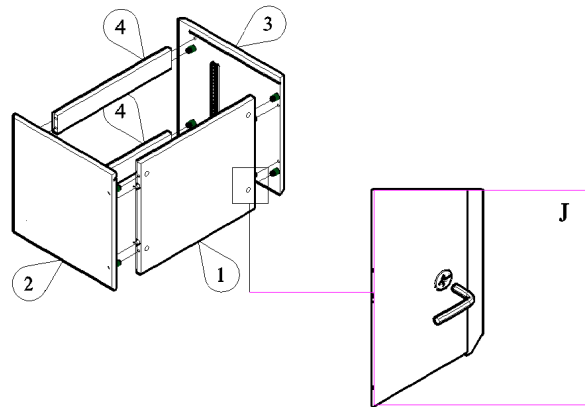
## STEP 1



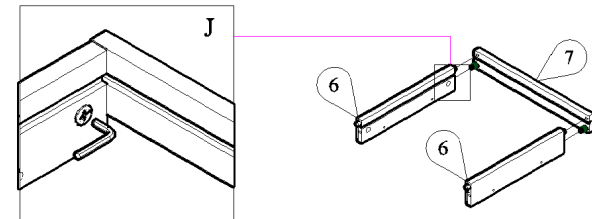
## STEP 2



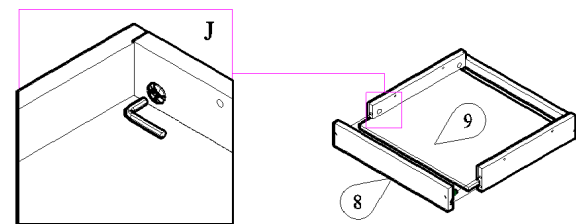
## STEP 3



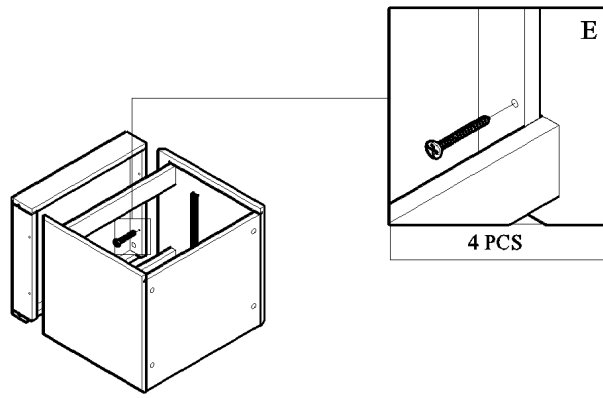
## STEP 4



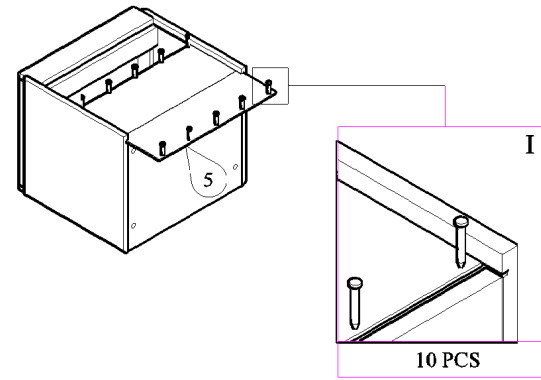
## STEP 5



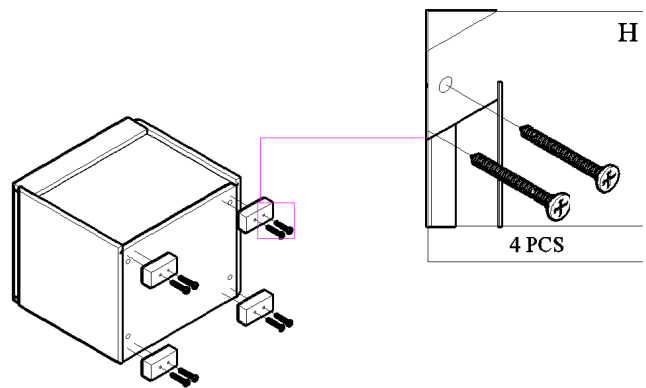
STEP 6



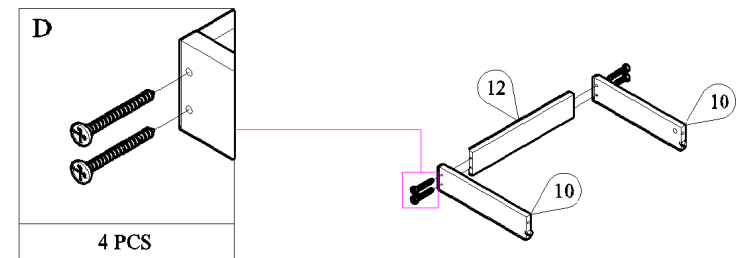
STEP 7



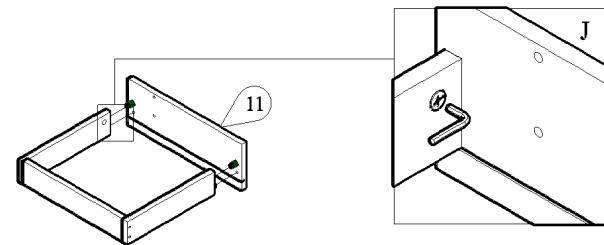
STEP 8



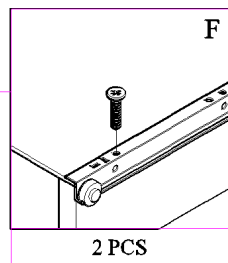
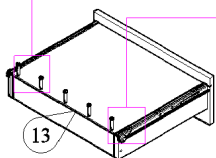
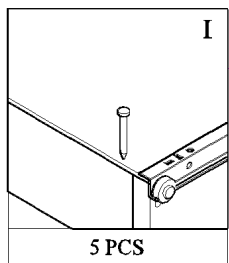
STEP 9



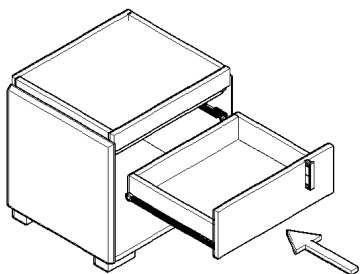
STEP 10



STEP 11



STEP 12



COMPLETED

