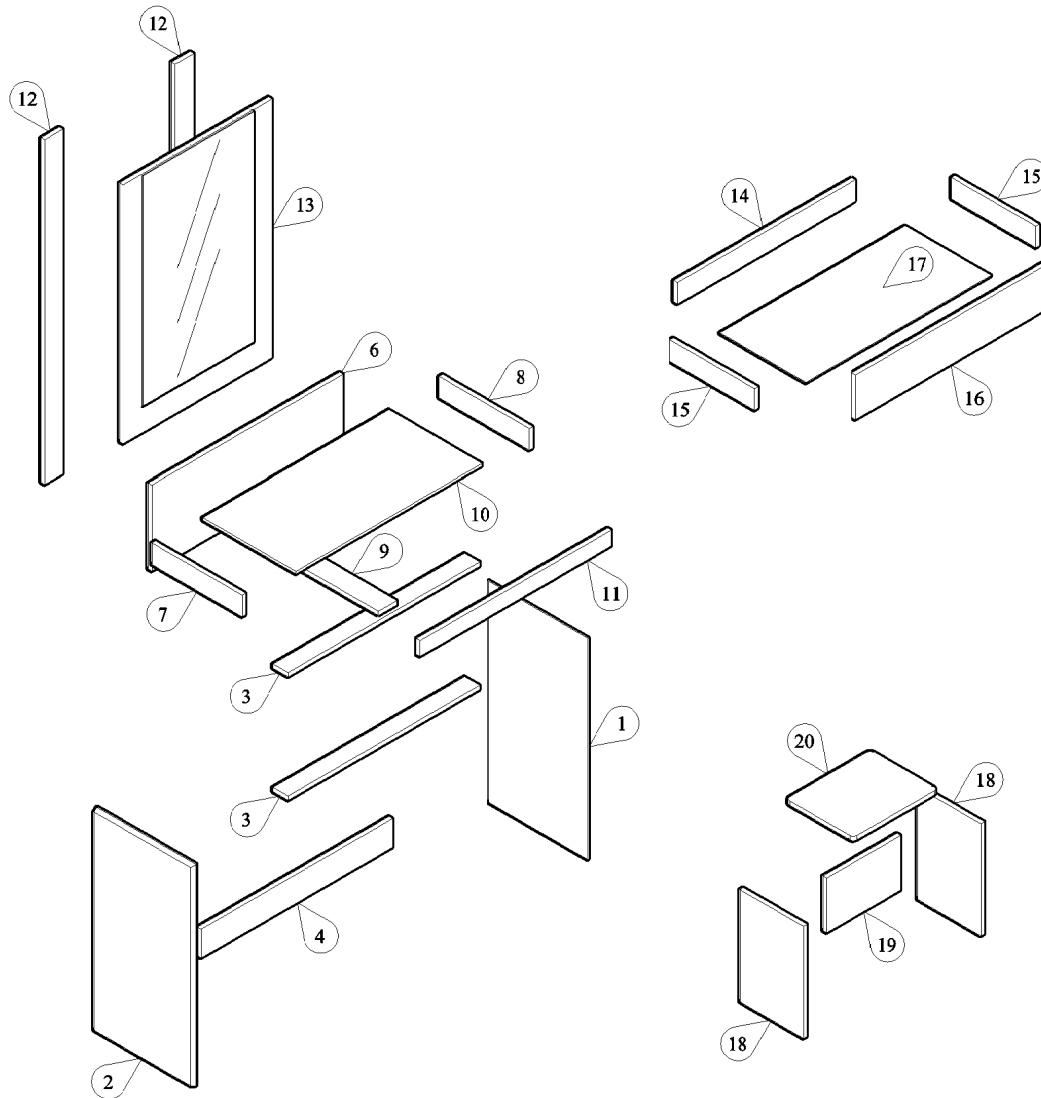
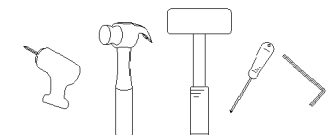


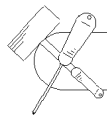
MODEL : BR3 DT 305WI

PANEL POSITION



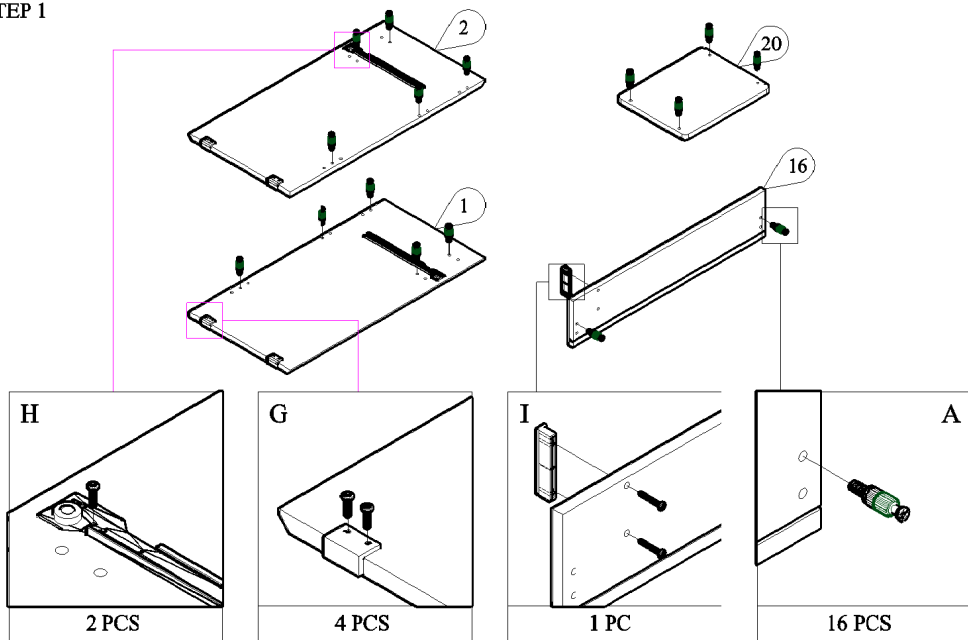
	ACCESSORIES	QUANTITY
A	MINIFIX M5x24MM	24 PCS
B	MINIFIX CASING	24 PCS
C	WOOD DOWEL M8x30MM	22 PCS
D	SCREW M4x28MM	14 PCS
E	SCREW M4x38MM	4 PCS
F	POWER PIN	7 PCS
G	RECTANGLE LEG SCREW M3.5x16MM	8 PCS 16 PCS
H	DRAWER SLIDE 14" SCREW M3.5x12MM	1 SET 12 PCS
I	PVC HANDLE SCREW M4x28MM	1 PC 2 PCS
J	MINIFIX CAP	6 PCS
K	ALLEN KEY	1 PC



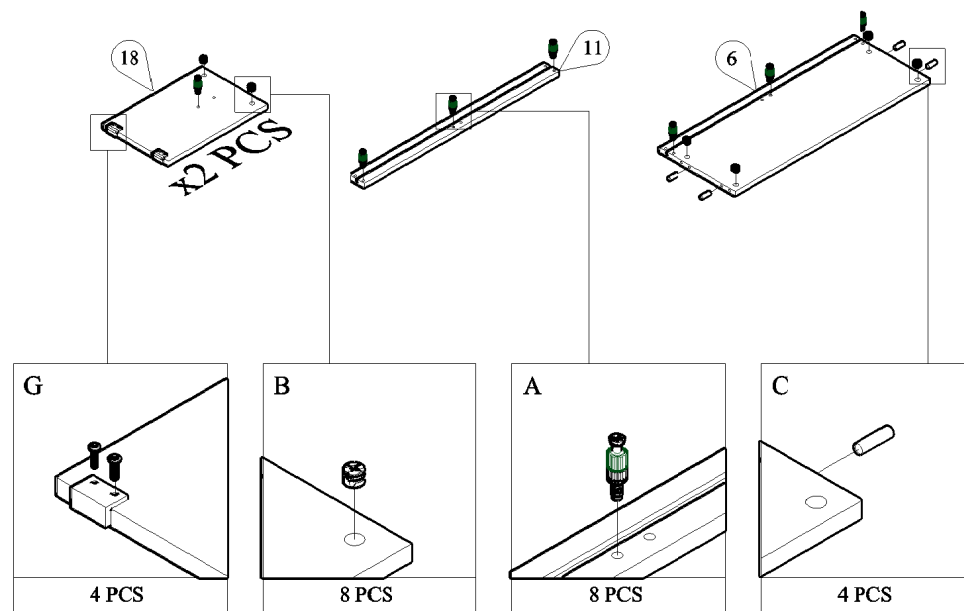


START ASSEMBLY

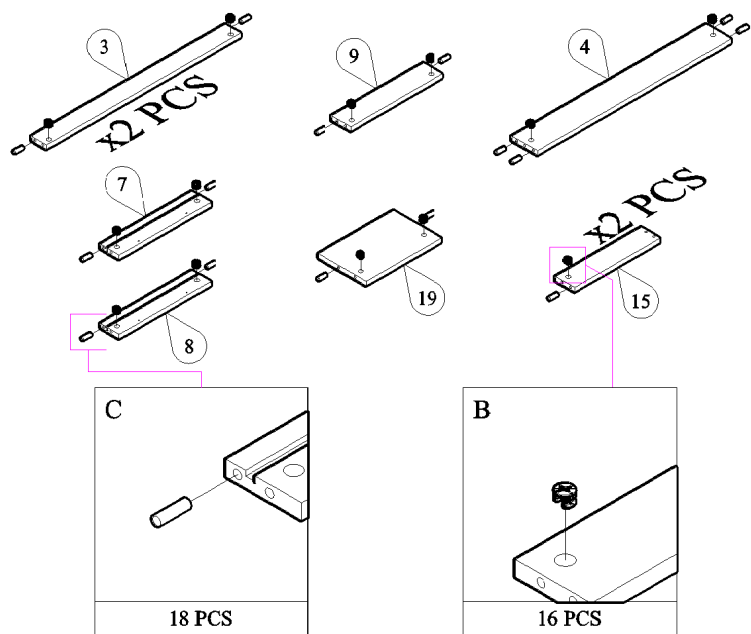
STEP 1



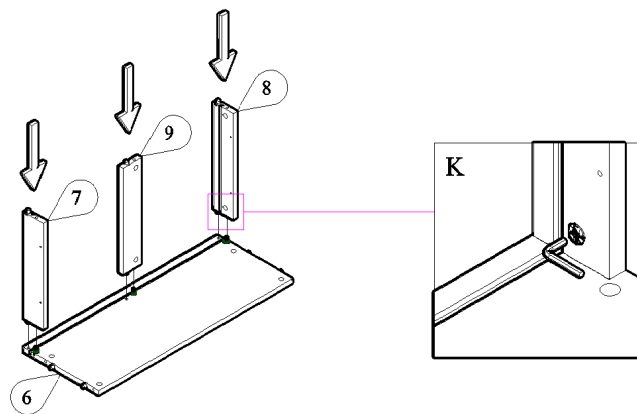
STEP 2



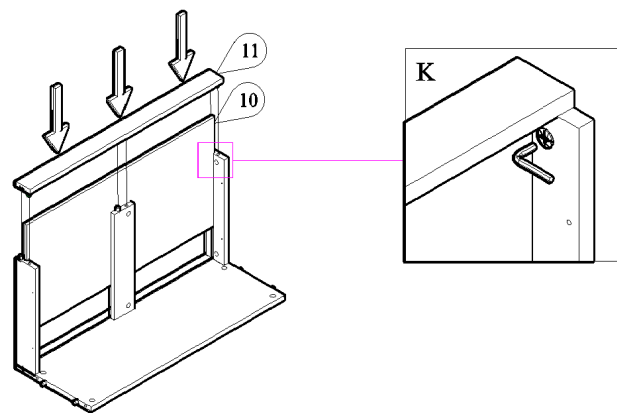
STEP 3



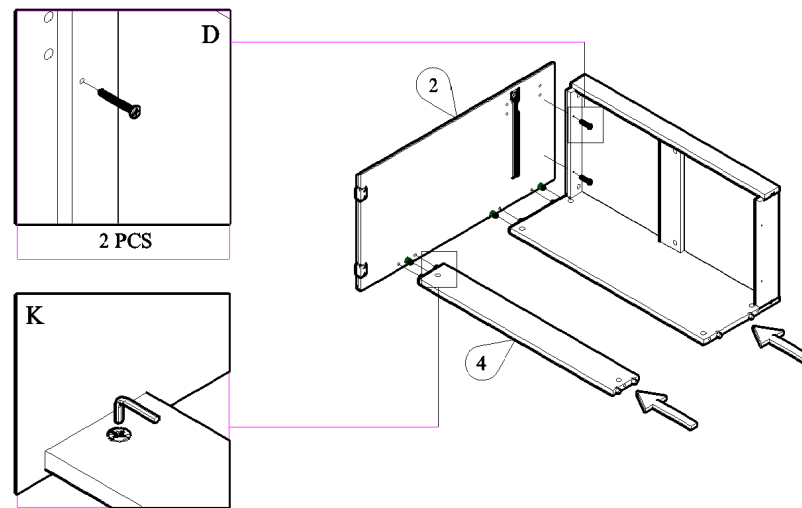
STEP 4



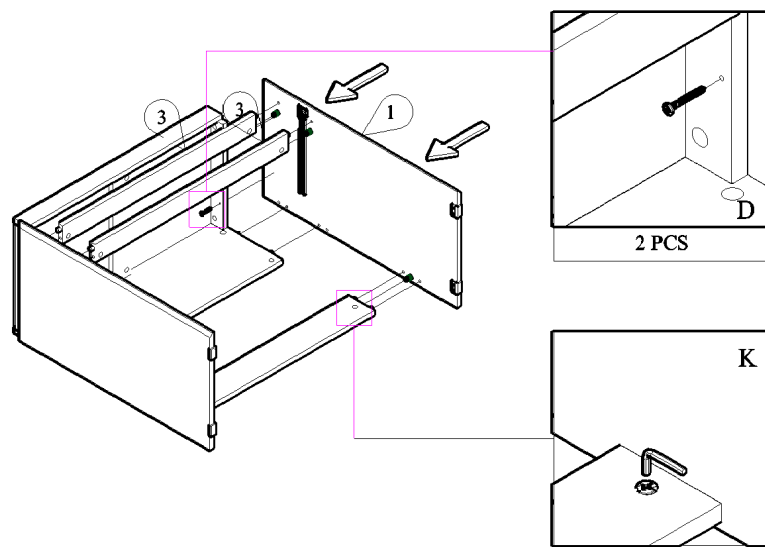
STEP 5



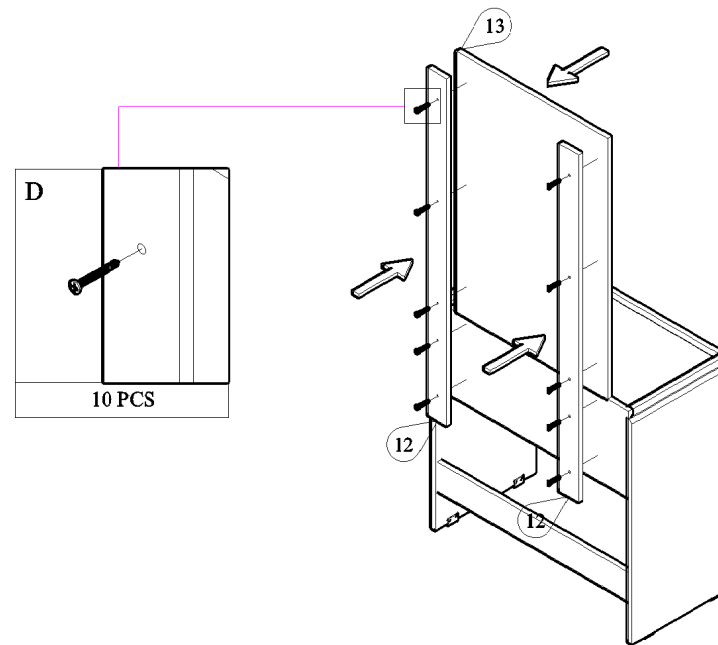
STEP 6



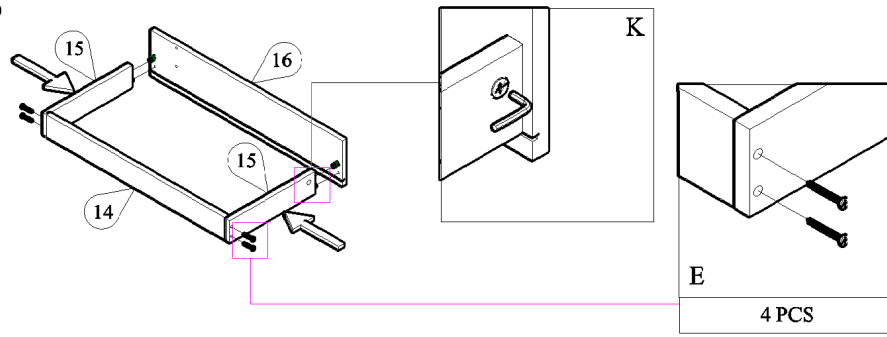
STEP 7



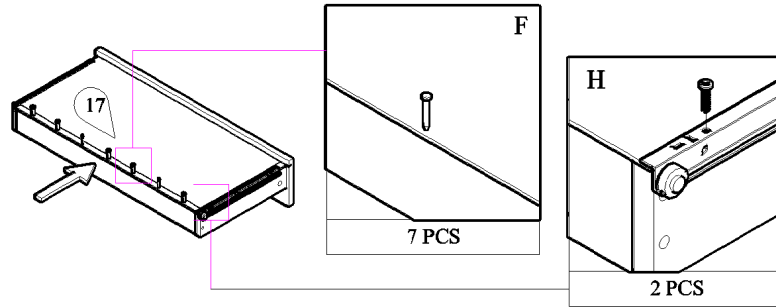
STEP 8



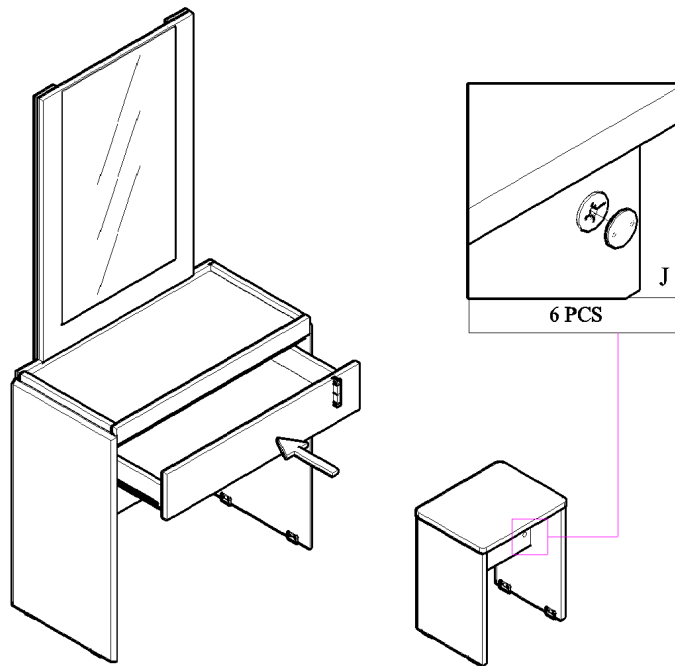
STEP 9



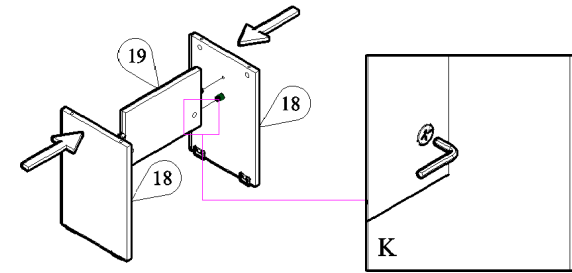
STEP 10



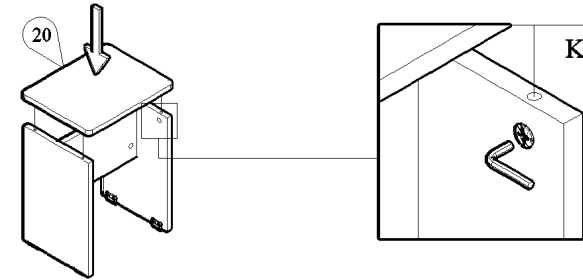
STEP 13



STEP 11



STEP 12



COMPLETED

