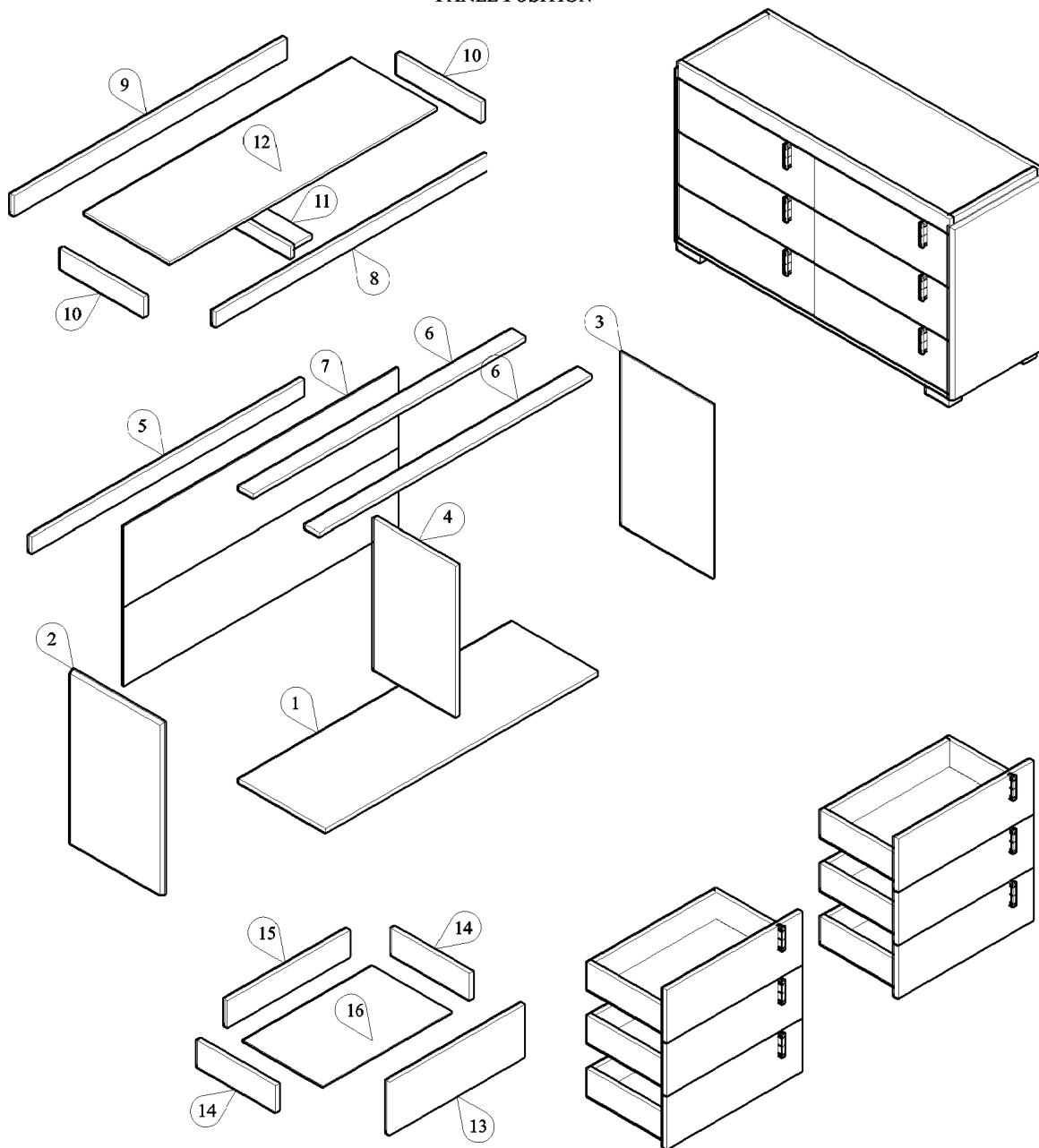


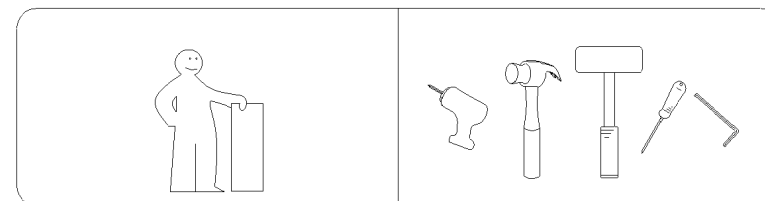


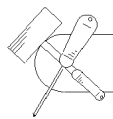
MODEL : BR3 COD 3061WI- CLB DG

PANEL POSITION



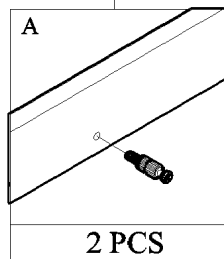
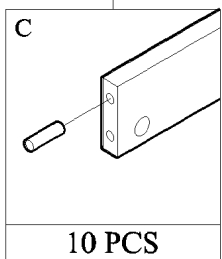
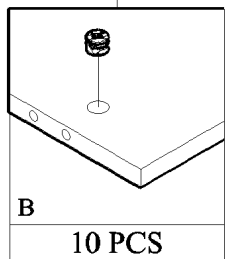
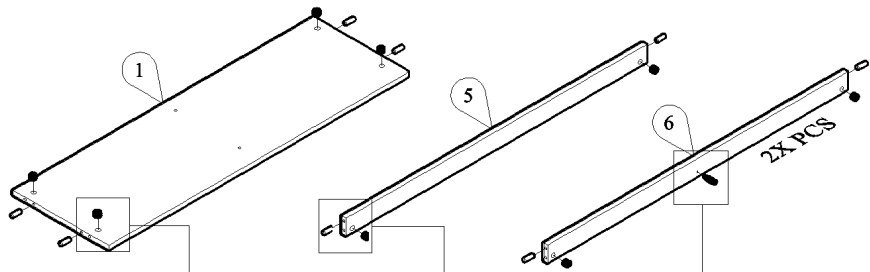
	ACCESSORIES	QUANTITY
A	MINIFIX M5 x 24MM	30 PCS
B	MINIFIX CASING	30 PCS
C	WOOD DOWEL M8 x 30MM	40 PCS
D	SCREW M4 x 38MM	24 PCS
E	SCREW M4 x 28MM	4 PCS
F	DRAWER SLIDE 14" SCREW M3.5 x 12MM	6 SET 72 PCS
G	PVC HANDLE SCREW M4 x 28MM	6 PCS 12 PCS
H	PVC LEG SCREW M4 x 38MM	5 PCS 10 PCS
I	POWER PIN	50 PCS
J	SCREW M6 x 50MM	2 PCS
K	ALLEN KEY	1 PC



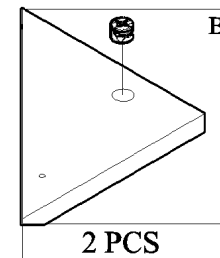
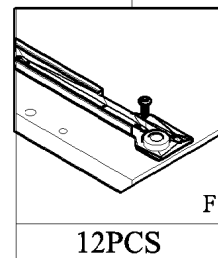
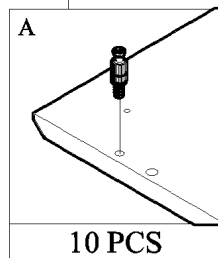
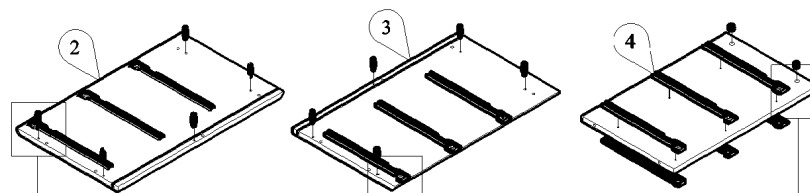


START ASSEMBLY

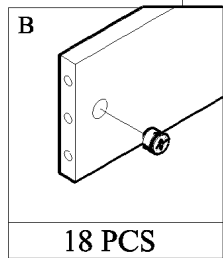
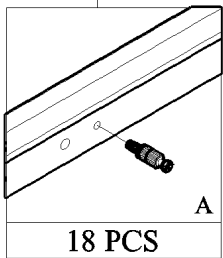
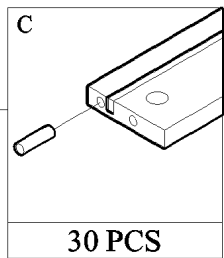
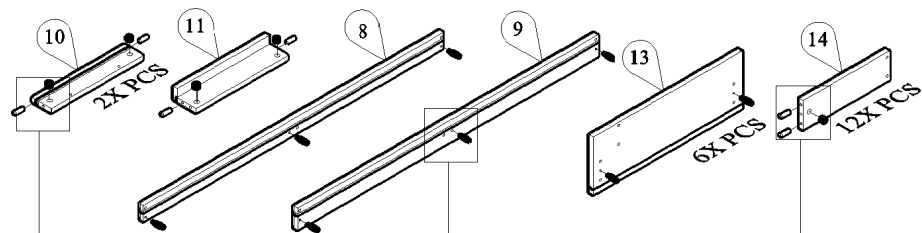
STEP 1



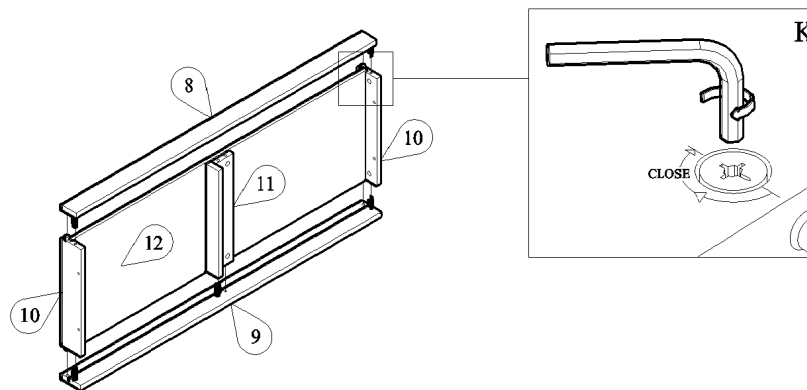
STEP 2



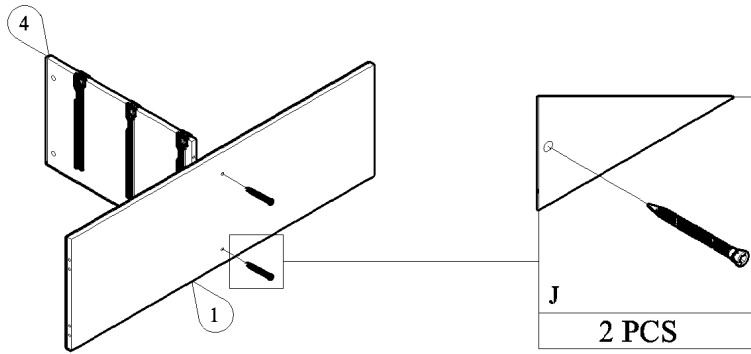
STEP 3



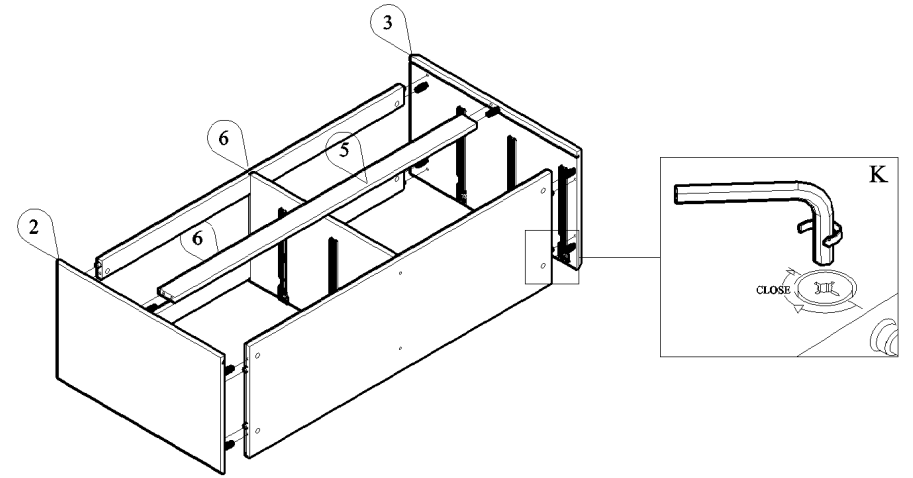
STEP 4



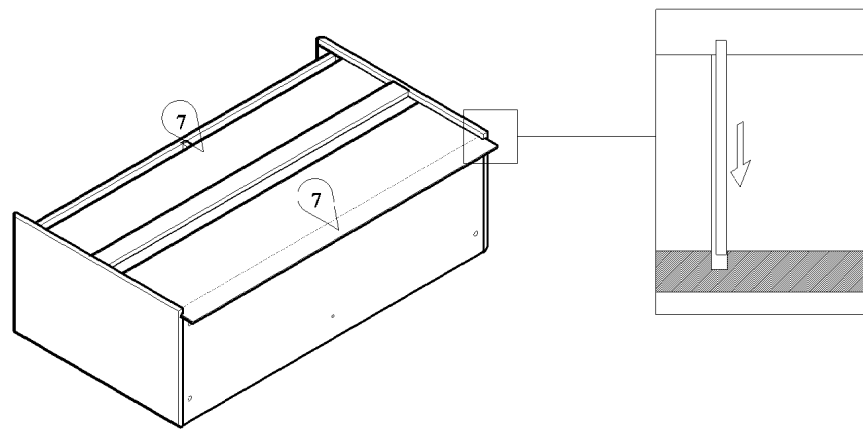
STEP 5



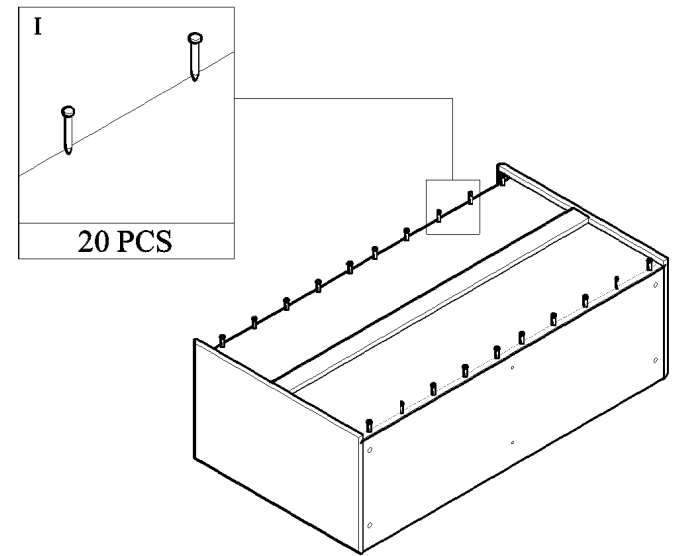
STEP 6



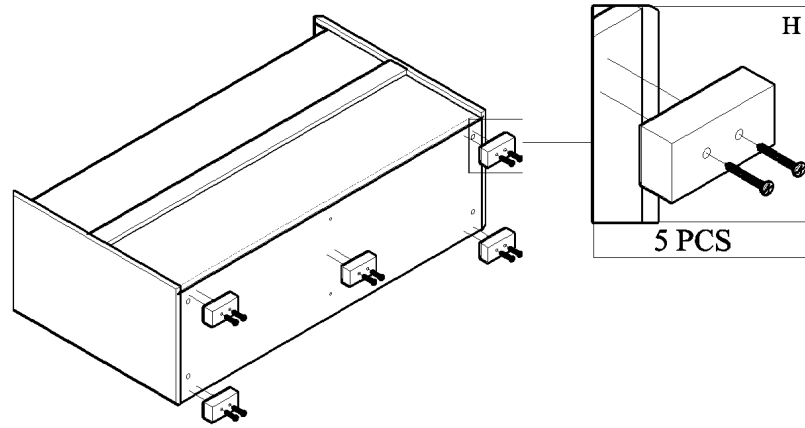
STEP 7



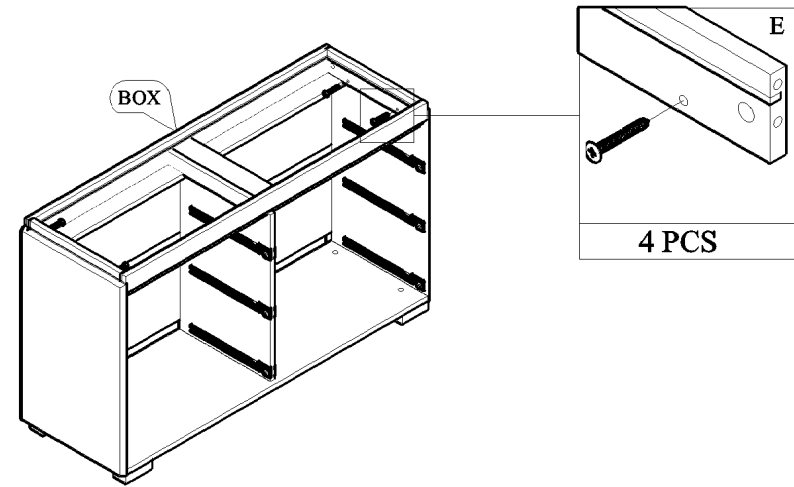
STEP 8



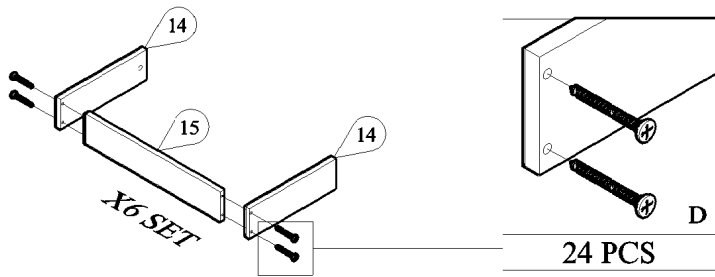
STEP 9



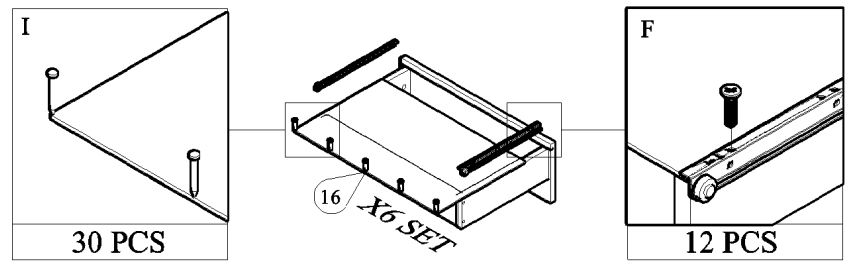
STEP 10



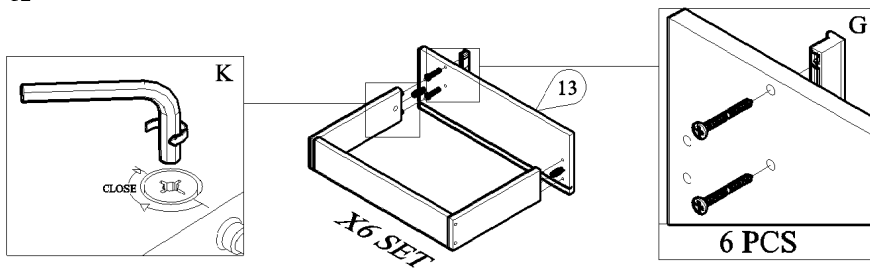
STEP 11



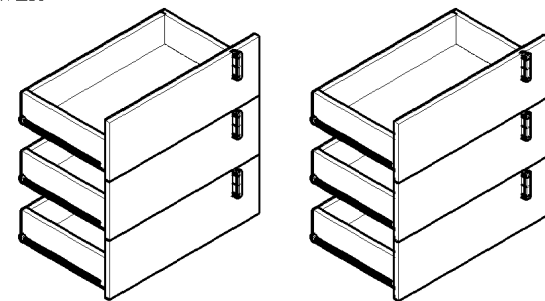
STEP 13



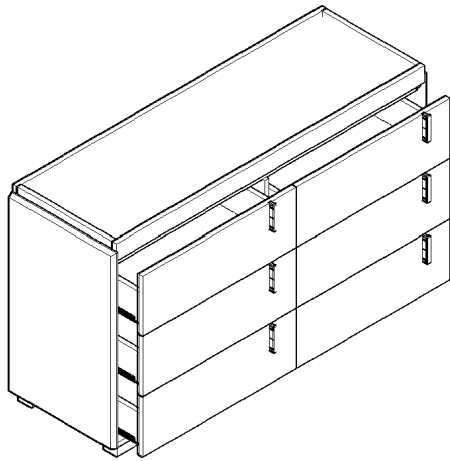
STEP 12



COMPLETED DRAWER



STEP 14



COMPLETED

