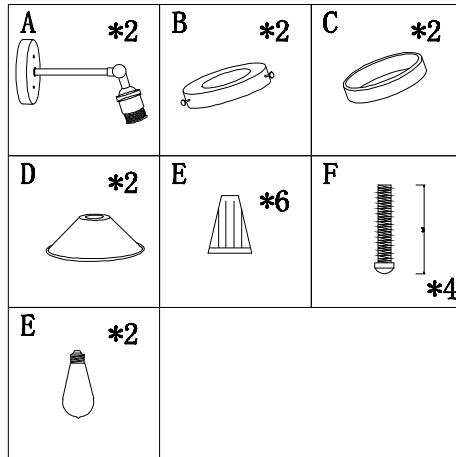
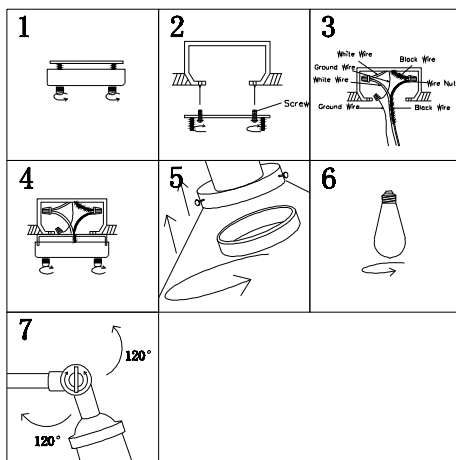


The parts and hardware below have been included for assembly:



Assembly Steps:



### Assembly Instruction:

1. Remove finial from part A light fixture and take out the mounting strap.
2. Secure the mounting strap to the wall with part F
3. Connect lamp-body wire to power wire via part E.
4. Secure the backplate to the wall with finial.
5. Fix part B and D each on socket with part C socket ring.
6. Install the bulb.
7. Rotate the light fixture up and down 120° by screw the knob.

### Specification:

Overall Dimension: 13.8\*8.7\*4.6"  
 Rated Voltage: 110V60Hz-4WLED

### WARNING:

The light fixture can only be used indoors, please cut off power before installing the light fixture

