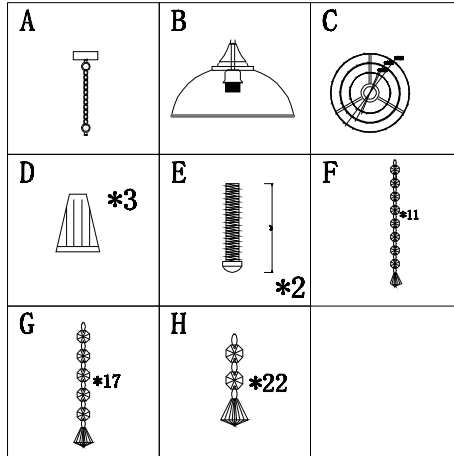
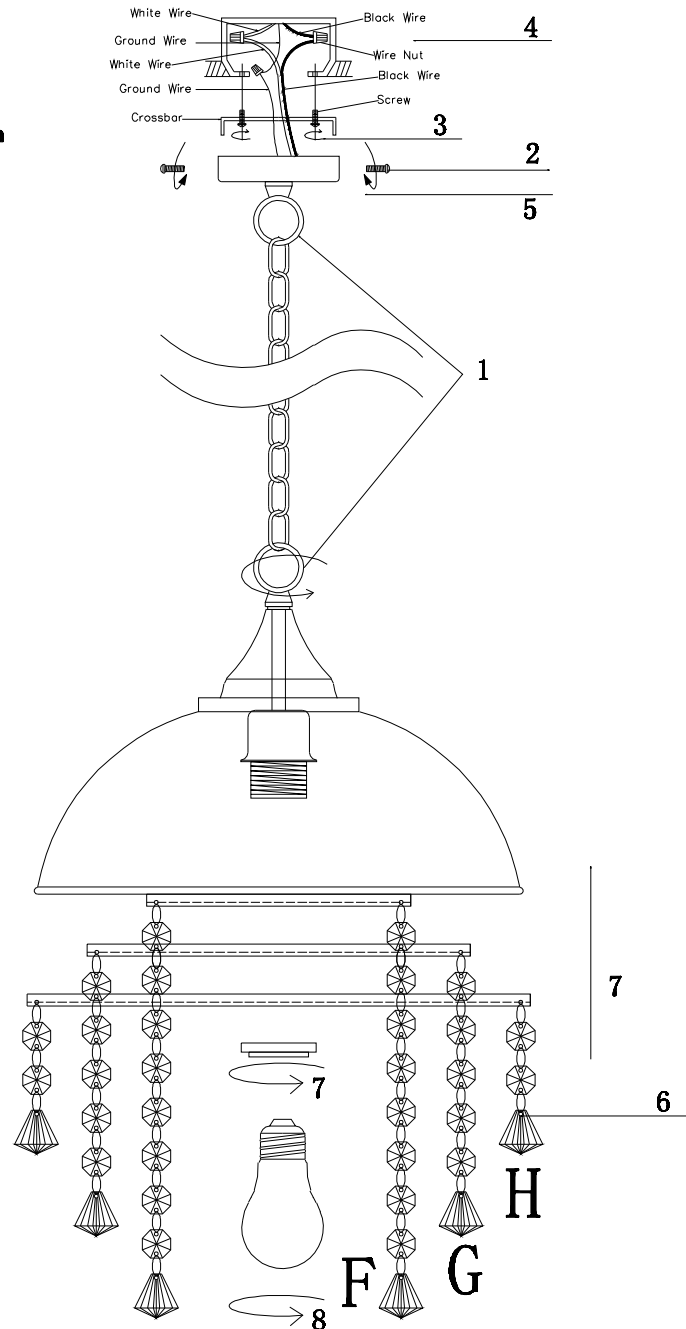
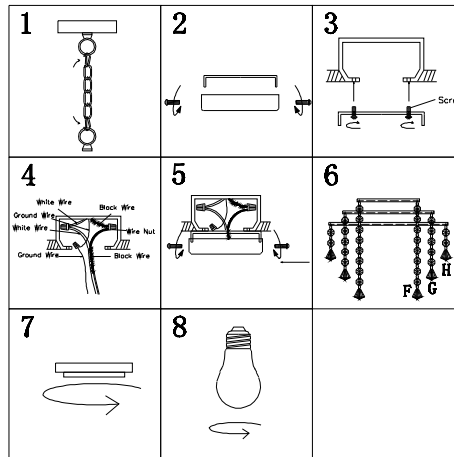


The parts and hardware below have been included for assembly:



Assembly Steps:



Assembly Instruction:

1. Connect part A chain and part B shade to ceiling pan securely.
2. Remove screw from the ceiling.
3. Secure the mounting strap to the ceiling with part E machine screw.
4. Connect lamp-body wire to power wire via part D spiral hat.
5. Hang the lamp-body with the mounting strap. Then, push up the canopy and secure the ceiling pan with the screw so that it is close to the ceiling.
6. Hang part F, G, and H crystal onto part C harp according to the diagram.
7. Attach the assembled part C harp with crystal to the socket by socket ring.
8. Install the bulb.

Specification:

Overall Dimension: 13.2*14.6"
Rated Voltage: 110V60Hz-60W

WARNING:

The light fixture can only be used indoors, please cut off power before installing the light fixture