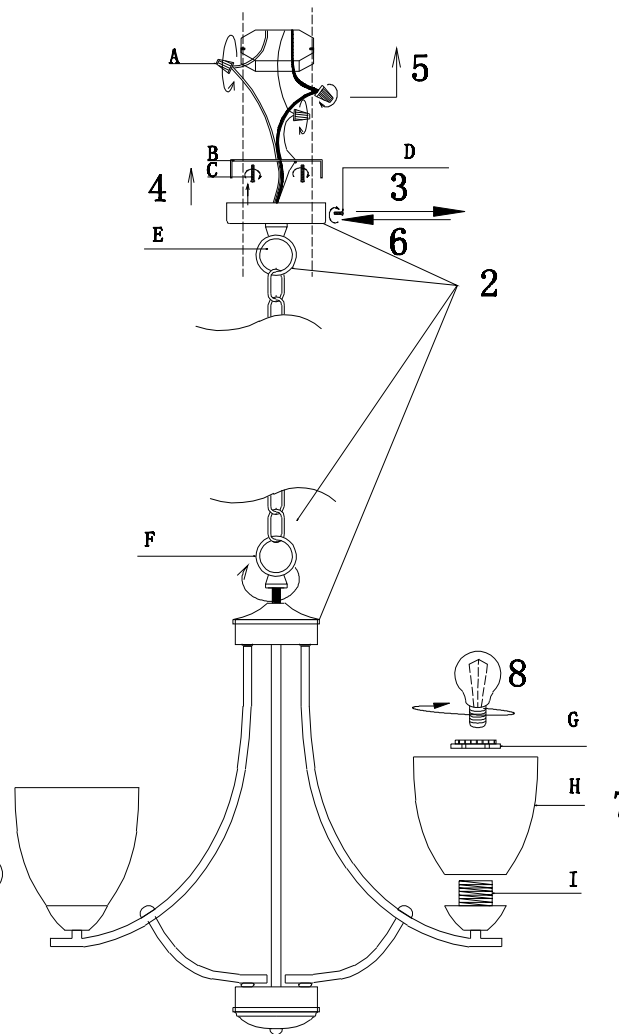
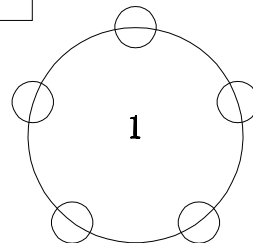
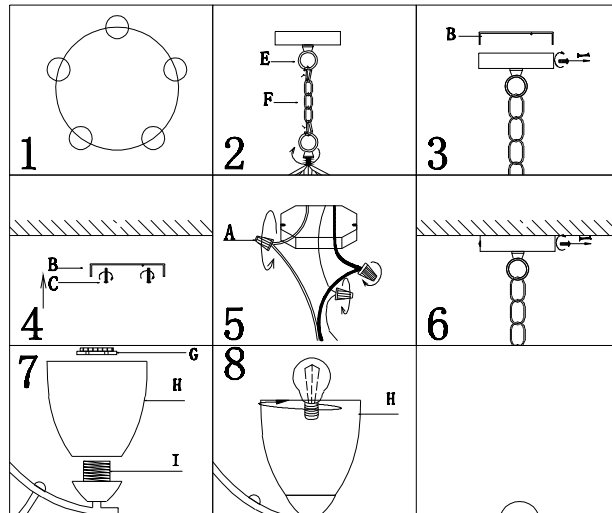
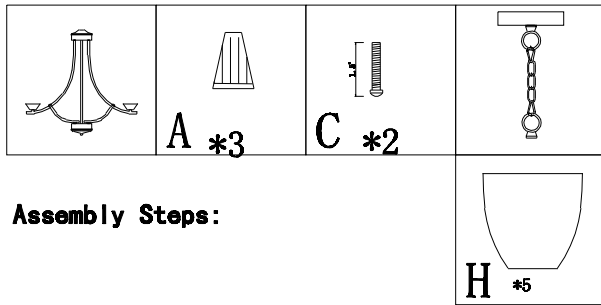


The parts and hardware below have been included for assembly:



Assembly Instruction:

1. Divide fixture body into 5 pieces equally according to the mark on picture.
2. Connect ceiling pan, chain (E) and loop (F) with fixture body together.
3. Twist screw (D) of mounting strap, take out the mounting strap (B).
4. Put machine screw (C) through mounting strap (B) to lock onto the ceiling.
5. Use spiral hat (A) to screw live wire (Black wire) of fixture with client's; screw zero wire (white wire) of fixture with client's; screw earth wire of fixture with client's.
6. Push up canopy and fix ceiling pan by screw (D).
7. Fix glass shade (H) on socket (I) by socket ring (G).
8. Install the bulb.

Specification:

Overall Dimension: 25.0*23.6"
 Rated Voltage: 120V50Hz-5*40W

WARNING:

The light fixture can only be used indoors, please cut off power before installing the light fixture