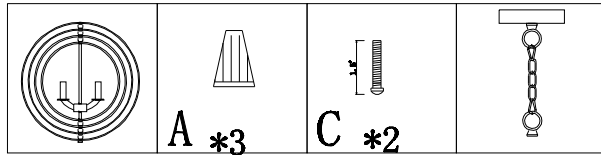
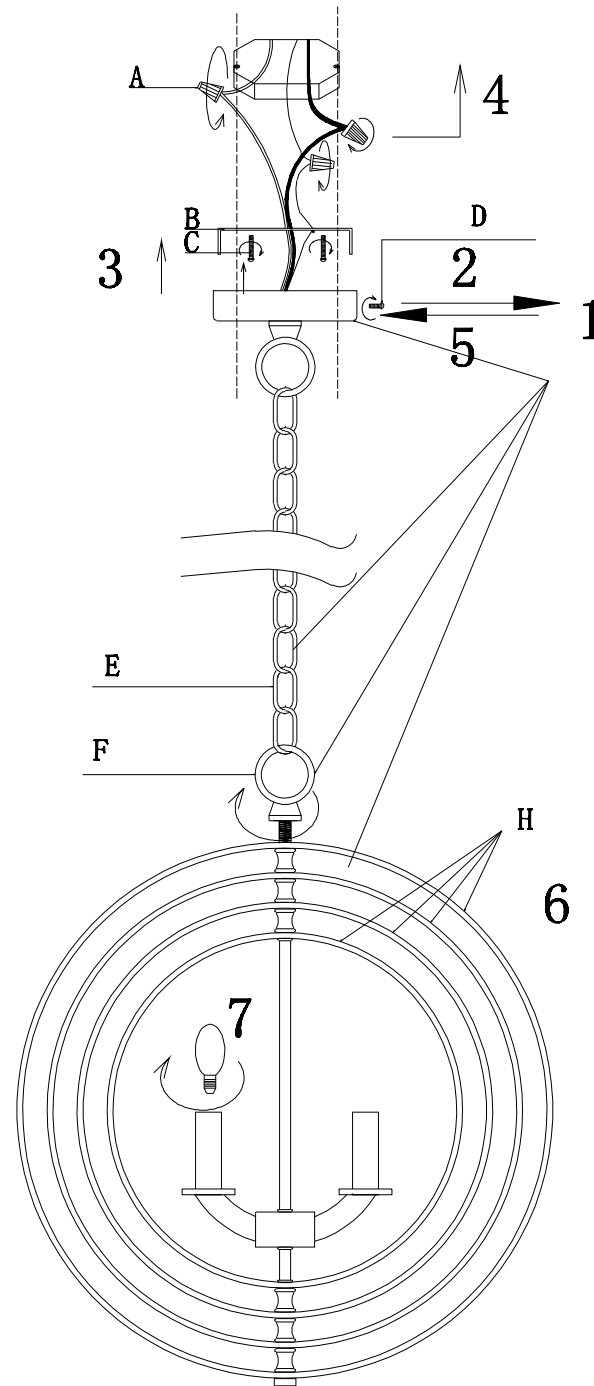
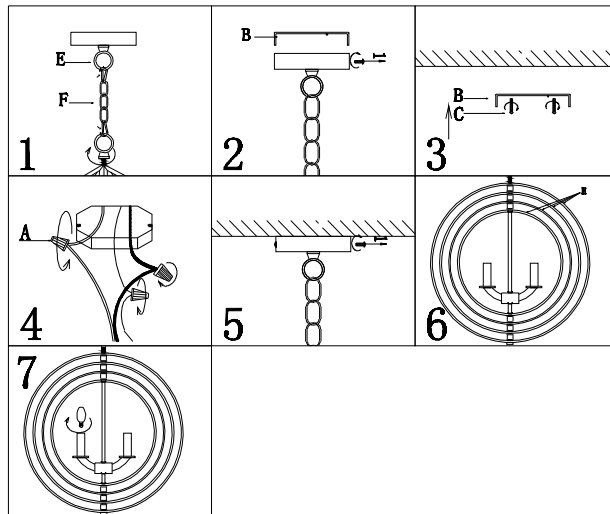


The parts and hardware below have been included for assembly:



**Assembly Steps:**



**Assembly Instruction:**

1. Connect ceiling pan, chain (E) and loop (F) with fixture body together.
2. Twist screw (D) of mounting strap, take out the mounting strap (B).
2. Put machine screw (C) through mounting strap (B) to lock onto the ceiling.
3. Use spiral hat (A) to screw live wire (Black wire) of fixture with client's; screw zero wire (white wire) of fixture with client's; screw earth wire of fixture with client's.
4. Push up canopy and fix ceiling pan by screw (D).
5. Adjust the ring (H) on fixture body according to angle and model that the user prefers.
6. Install the bulb.

**Specification:**

Overall Dimension: 17.9\*19.7"  
 Rated Voltage: 120V50Hz-4\*40W  
 □

**WARNING:**

The light fixture can only be used indoors, please cut off power before installing the light fixture