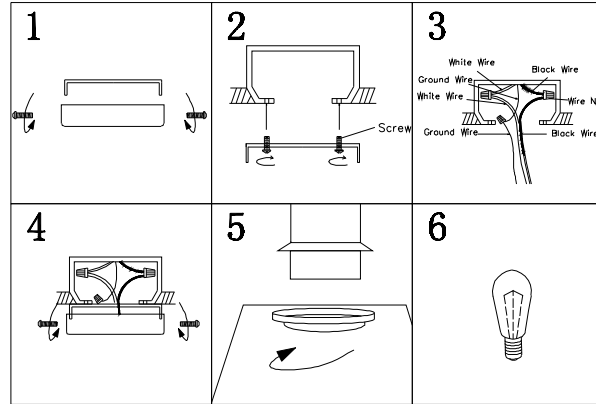
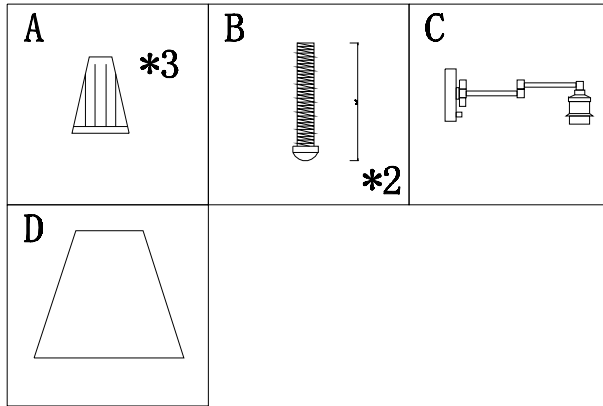


### Assembly Steps:

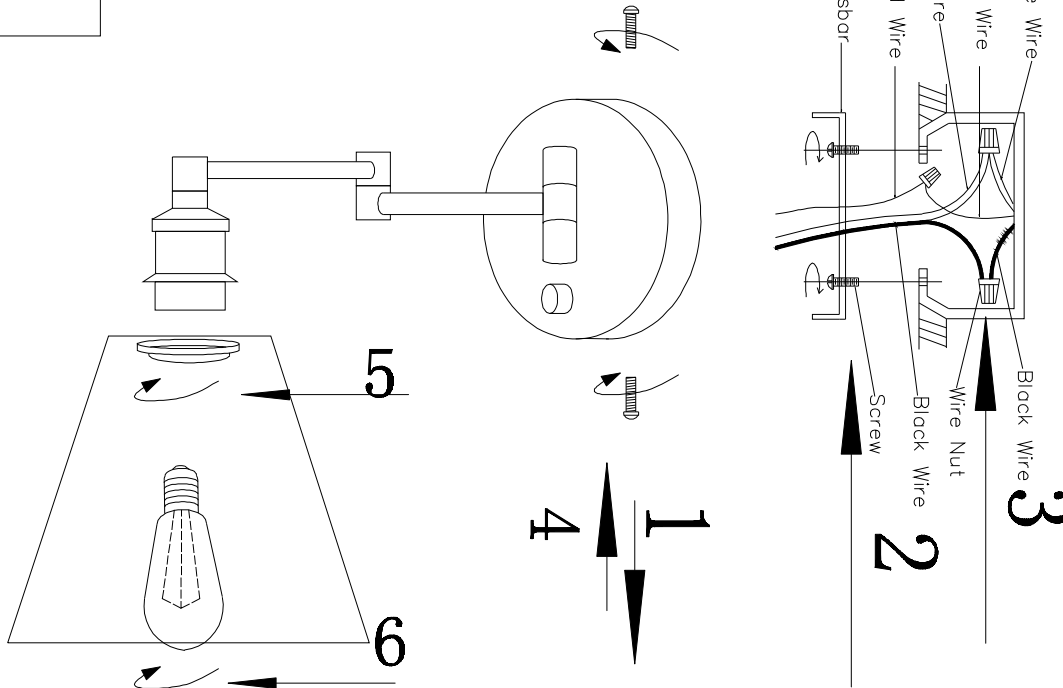
Disclaimer: Professional Installation recommended

The parts and hardware below have been included for assembly:



### Assembly Instruction:

1. Take screw off mounting strap, and take out the mounting strap .
2. Put machine screw (B) through mounting strap to lock onto the ceiling.
3. Use spiral hat (A) TO screw HOT wire (black wire) of lamp with black wire from supply; and screw Neutral wire (white wire) of lamp with white wire from supply; and screw Ground wire of lamp with Ground wire from supply.
4. Push up wall plate and fix wall plate by the screw .
5. Fix shade (D) on socket by socket ring .
6. Install the bulb (Bulbs not included)



### Specification:

Dimension: 15.5\*6.5\*9.5"

Rated Voltage: 110V60Hz-1\*40W

The light fixture can only be used indoors, please cut off power before installing the light fixture