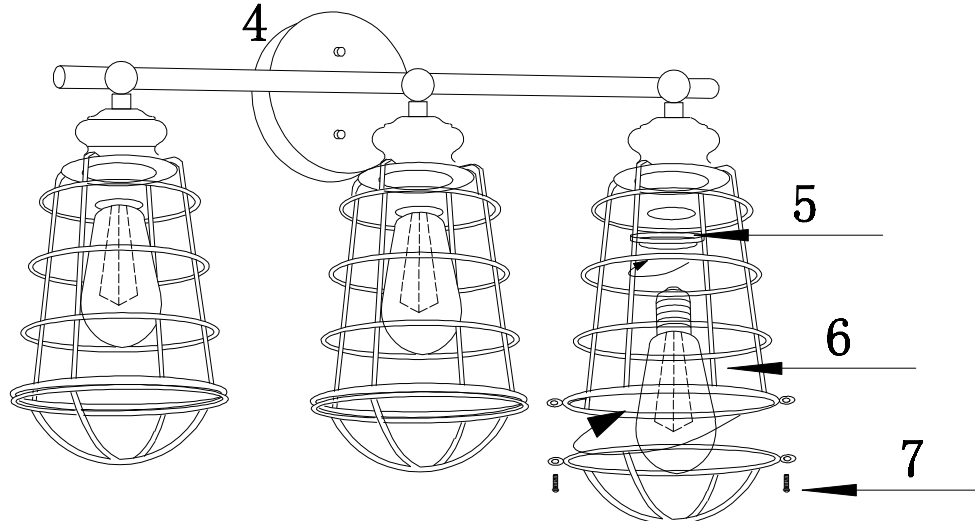
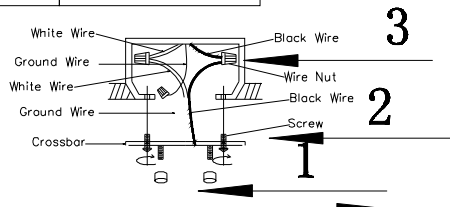
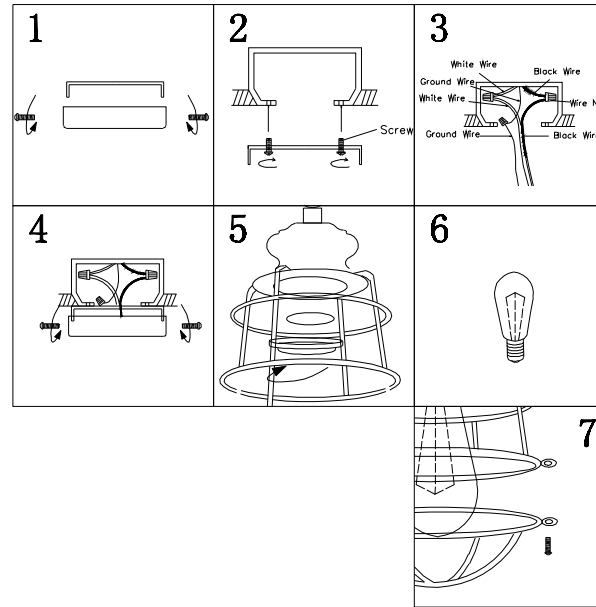
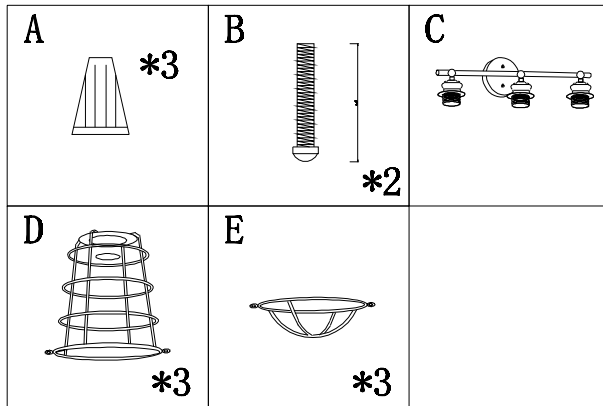


Assembly Steps:

The parts and hardware below have been included for assembly:



Disclaimer: Professional Installation recommended

Assembly Instruction:

1. Take the back off the finial, Remove screw off mounting cap and take out the mounting strap.
2. Put machine screw (B) through mounting strap to lock onto the wall.
3. Use spiral hat (A) TO screw HOT wire (black wire) of lamp with black wire from supply; and screw Neutral wire (white wire) of lamp with white wire from supply; and screw Ground wire of lamp with Ground wire from supply.
4. Push up canopy and fix ceiling pan by the finial.
5. Fix shade (D) on socket by socket ring .
6. Install the bulb (Bulbs not included)
7. Lock the bottom shade (E) with shade by screw .

Specification:

Dimension: 25.7*8*13.4"

Rated Voltage: 110V60Hz-3*40W

WARNING:

The light fixture can only be used indoors, please cut off power before installing the light fixture