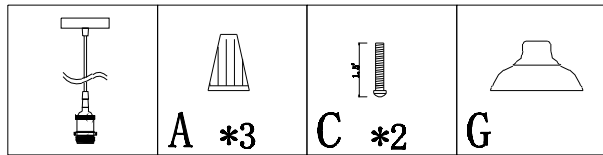
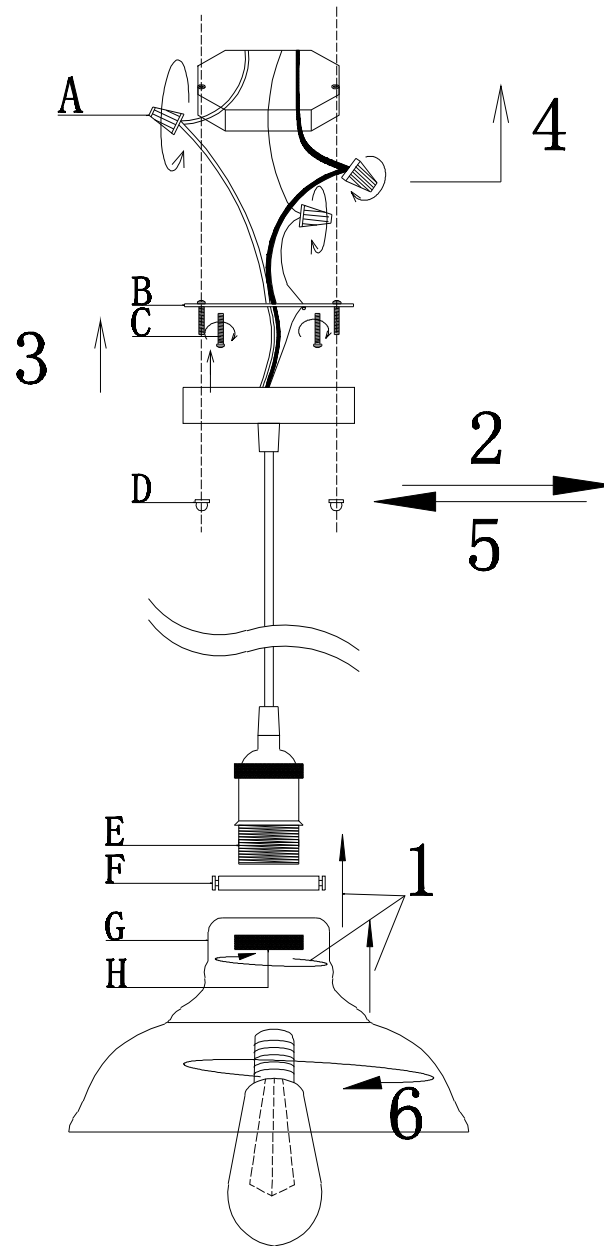
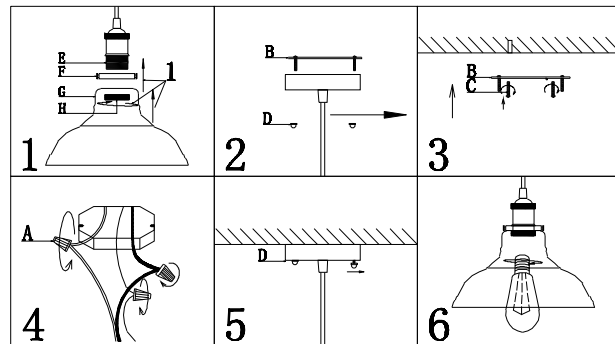


The parts and hardware below have been included for assembly:



Assembly Steps:



Assembly Instruction:

1. Install the ring (F) and glass shade (G) onto the socket (E) according to the mark on picture, and fix tightly by socket ring (H).
2. Take the back off the finial (D), take out the mounting strap (B).
3. Put machine screw (C) through mounting strap (B) to lock onto the ceiling.
4. Use spiral hat (A) to screw live wire (Black wire) of fixture with client's; screw zero wire (white wire) of fixture with client's; screw earth wire of fixture with client's.
5. Push up canopy and fix ceiling pan by the finial (D).
6. Install the bulb.

Specification:

Overall Dimension: 11.0*9.0"
 Rated Voltage: 120V50Hz-40W

WARNING:

The light fixture can only be used indoors, please cut off power before installing the light fixture