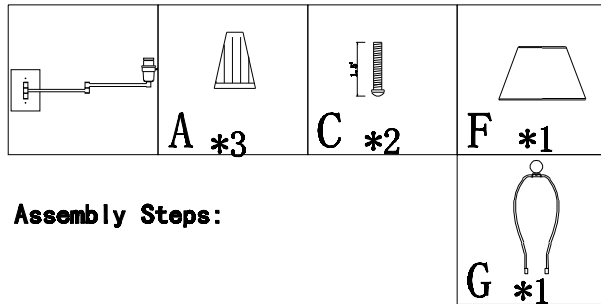
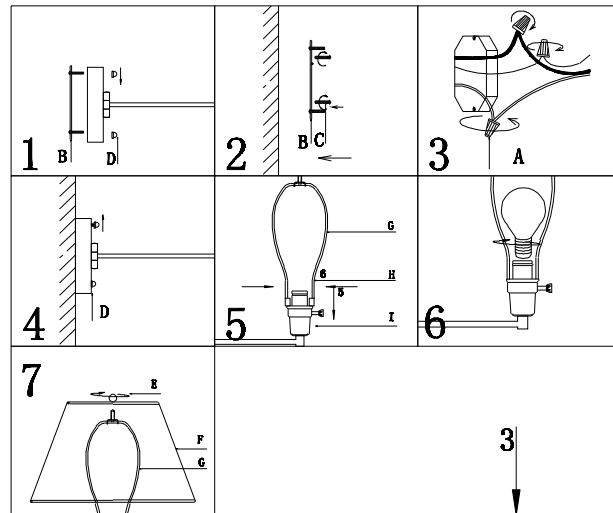


The parts and hardware below have been included for assembly:



Assembly Steps:



**Assembly Instruction:**

1. Take the back off the finial (D) , take out the mounting strap (B).
2. Put machine screw (C) through mounting strap (B) to lock onto the ceiling.
3. (1)Use spiral hat (A) to screw live wire (Black wire) of fixture with client' s:screw zero wire (white wire)of fixture with client' s;screw earth wire of fixture with client' s.
3. (2)Put attached plug wire (J) through wall plate,use spiral hat (A) to screw live wire (Black wire)with zero wire (white wire)of fixture.
4. Push up wall plate and fix wall plate by the finial (D).
5. Put harp (G) into lampcup(I).
6. Install the bulb.
7. Install shade onto harp(G),and fix by finial (E),adjust to balance.

**Specification:**

Overall Dimension: 26. 2\*13. 0\*14. 2”

Rated Voltage:120V50Hz-40W

**WARNING:**

The light fixture can only be used indoors, please cut off power before installing the light fixture

