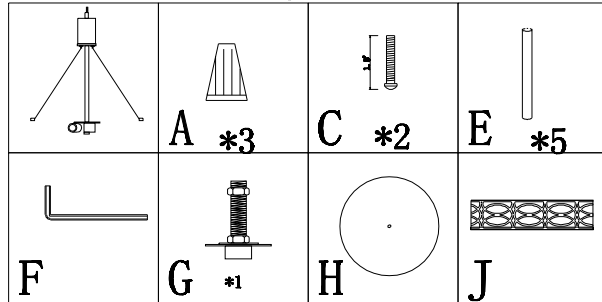
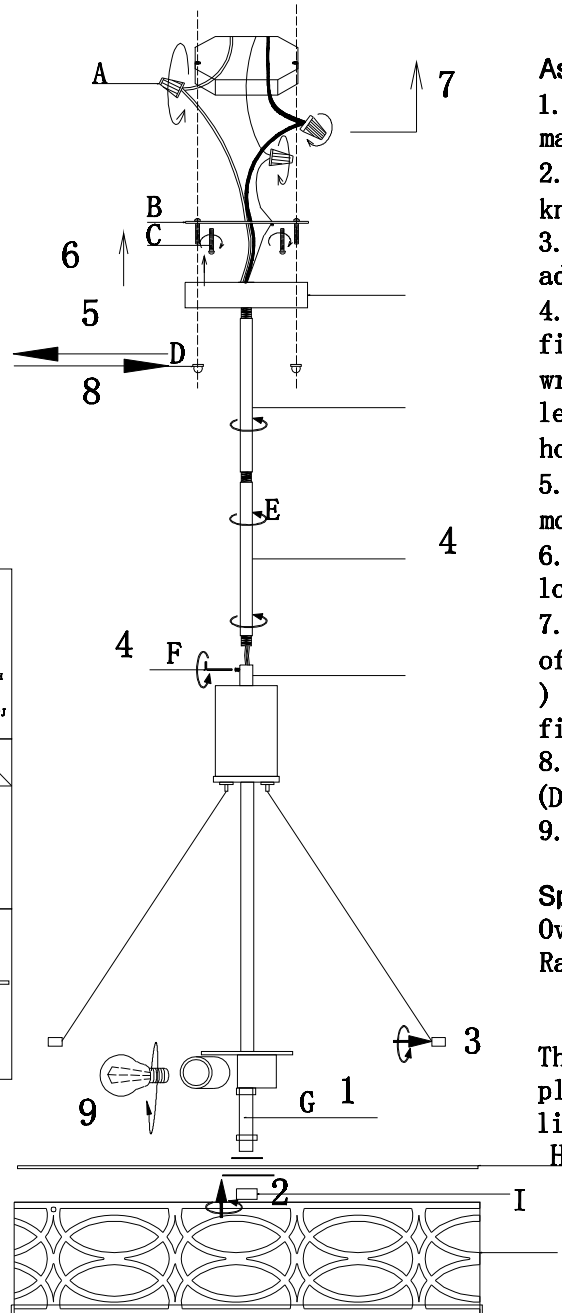
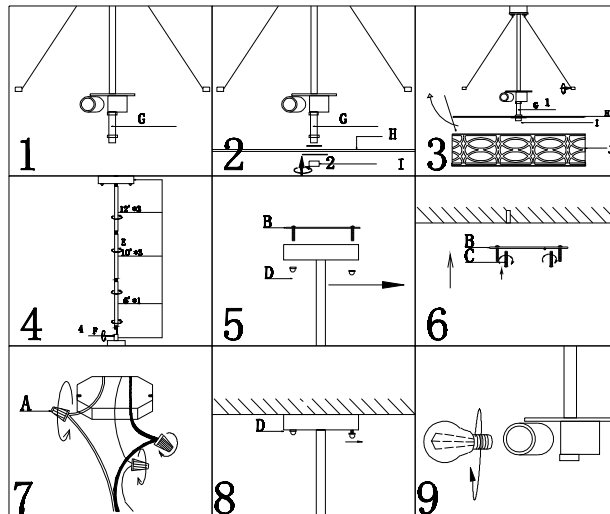


The parts and hardware below have been included for assembly:



Assembly Steps:



Assembly Instruction:

1. Twist stem(G) into socket bottom according to the mark on picture.
2. Put acrylic plate (H) through stem(G) and lock by knob(I) tightly.
3. Put fixture body and acrylic into shade tightly, and adjust to balance. Then connect steel wire with shade.
4. Pass wire through pipe (E), rotate pipe to connect fixture body and ceiling pan, fix bottom by hexagon wrench (F). (Totally 5pcs pipe with different length, user can choose suitable pipe according to house height.)
5. Take the back off the finial (D), take out the mounting strap(B).
6. Put machine screw (C) through mounting strap (B) to lock onto the ceiling.
7. Use spiral hat (A) to screw live wire (Black wire) of fixture with client' s; screw zero wire (white wire) of fixture with client' s; screw earth wire of fixture with client' s.
8. Push up canopy and fix ceiling pan by the finial (D).
9. Install the bulb.

Specification:

Overall Dimension: 17.9*47.2"
Rated Voltage: 120V50Hz-3*40W

WARNING:

The light fixture can only be used indoors, please cut off power before installing the light fixture