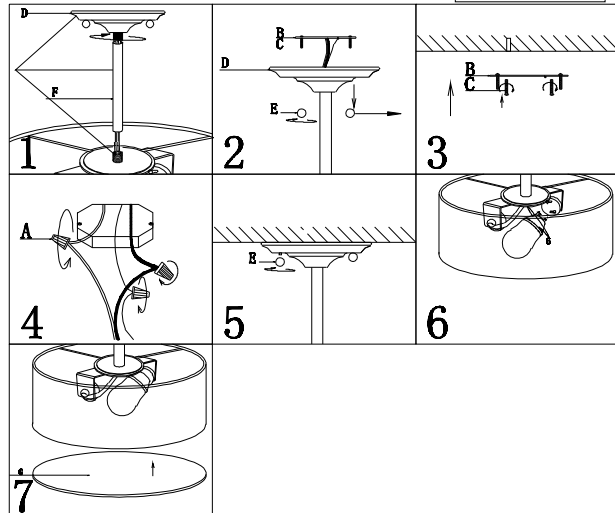
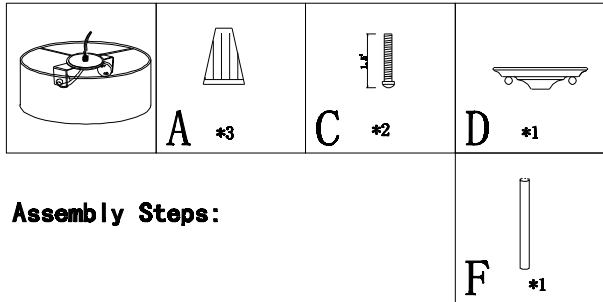


The parts and hardware below have been included for assembly:



Assembly Instruction:

1. Put wire through pipe (F) and ceiling (D), and rotate to connect together.
2. Take the back off the finial (E), take out the mounting strap (B).
3. Put machine screw (C) through mounting strap (B) to lock onto the ceiling.
4. Use spiral hat (A) to screw live wire (Black wire) of fixture with client's; screw zero wire (white wire) of fixture with client's; screw earth wire of fixture with client's.
5. Push up canopy (D) and fix ceiling pan by the finial (E)
6. Install the bulb.
7. Install acrylic plate (G) into shade tightly.

Specification:

Overall Dimension: 13*13*9.8"
 Rated Voltage: 120V50Hz-2*40W

WARNING:

The light fixture can only be used indoors, please cut off power before installing the light fixture

