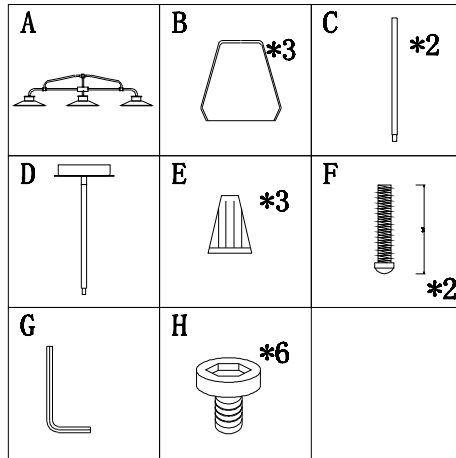
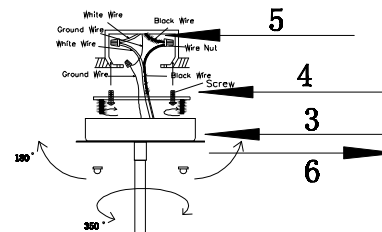
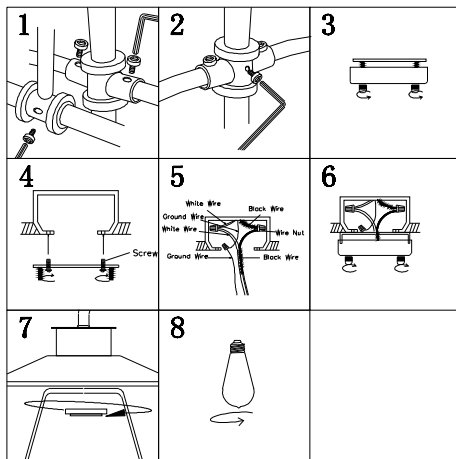


The parts and hardware below have been included for assembly:



Assembly Steps:



Assembly Instruction:

1. Attach the curved cross bar to the fixture with part H screws.
2. Thread the wire through part C and D downrods and screw the pieces together. Then, screw the downrod into the fixture body.
3. Unscrew the finials from the fixture and remove the mounting strap.
4. Insert part F screw through the fixture hickey and secure it to the ceiling box.
5. Use part E wire nuts to connect the live wire (black wire), zero wire (white wire), and earth wire to the corresponding wires in the ceiling.
6. Lift the canopy and secure the ceiling pan via the finials.
7. Secure part B glass shade by screwing in the holder ring.
8. Install the bulbs.

Specification:

Overall Dimension: 36*8.0*45.0"
 Rated Voltage: 110V60Hz-3*40W

WARNING:

The light fixture can only be used indoors, please cut off power before installing the light fixture

