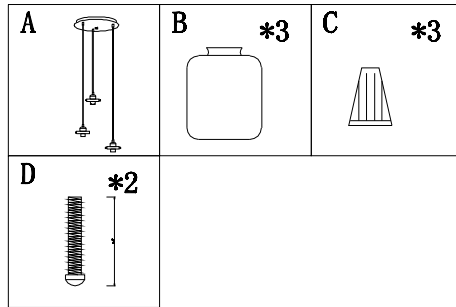
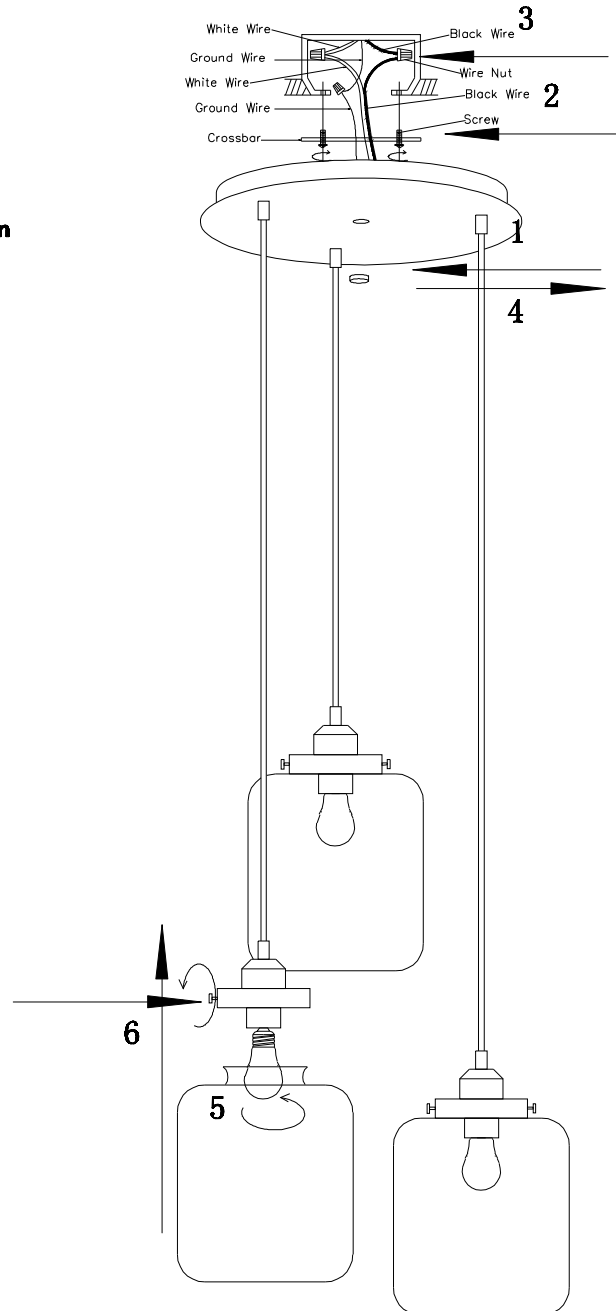
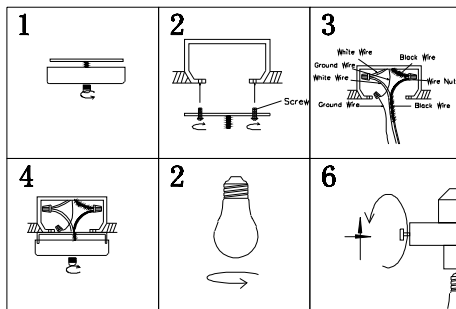


The parts and hardware below have been included for assembly:



Assembly Steps:



Assembly Instruction:

1. Take the back off the finial from lamp body A, take out the mounting strap.
2. Put machine screw D through hikey to lock onto the ceiling.
3. Use spiral hat C to screw HOT wire (black wire) of lamp with black wire from supply; screw Neutral wire (white wire) of lamp with white wire from supply; and screw Ground wire of lamp with Ground wire from supply.
4. Push up canopy and fix ceiling pan with finial.
5. Install the bulbs.
6. Lock glass shade B tightly by screw.

Specification:

Overall Dimension: 16.0*9.0"
 Rated Voltage: 110V60Hz-3*40W

WARNING:

The light fixture can only be used indoors, please cut off power before installing the light fixture