

# ASSEMBLY INSTRUCTIONS

Read this instruction carefully. See hardware and furniture part list for guidance.  
 Be sure all parts are complete, before you assemble. Place all wooden furniture parts on a clean and flat soft surface to prevent from being scratched.

Follow the figure to start assembling.

- CAUTIONS :
1. Do not FULLY - TIGHTEN the nut or nut bolt until all nut or bolt is ready assembled.
  2. Do not OVER - TIGHTEN the nut or bolt to avoid causing damages to the thread.
  3. Keep all hardware parts out of reach of children.

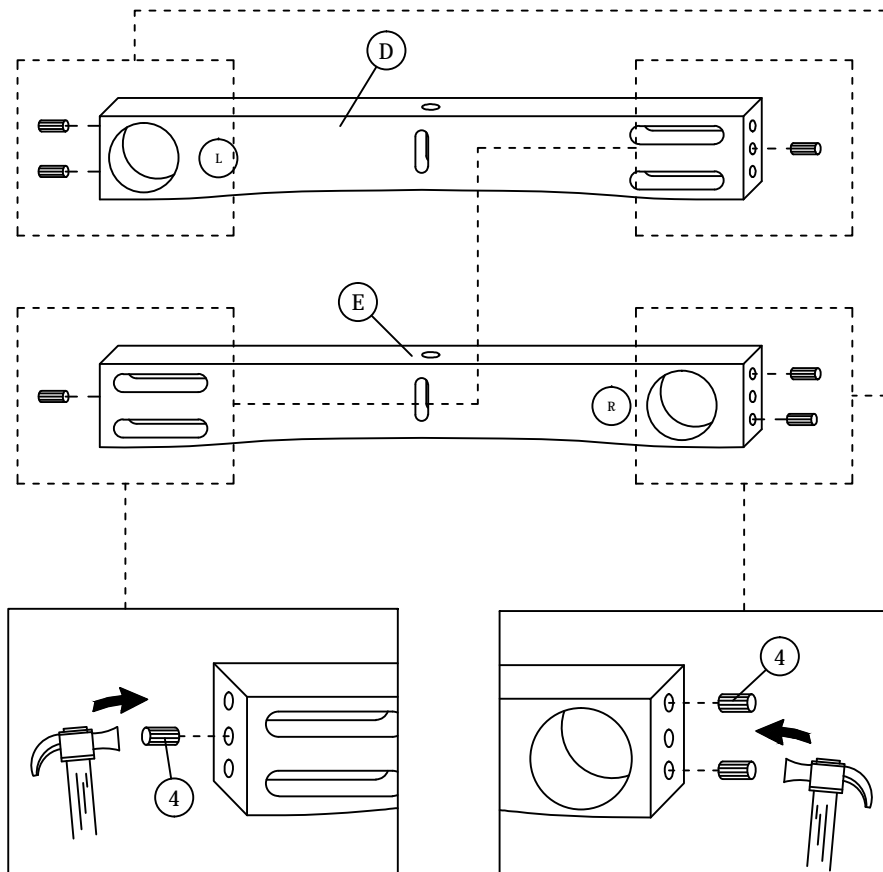
NOTE : THE LIST AND QUANTITY SHOWN ARE FOR 1 UNIT ASSEMBLY.

Tool needed : Screwdriver & Hammer (not provided).

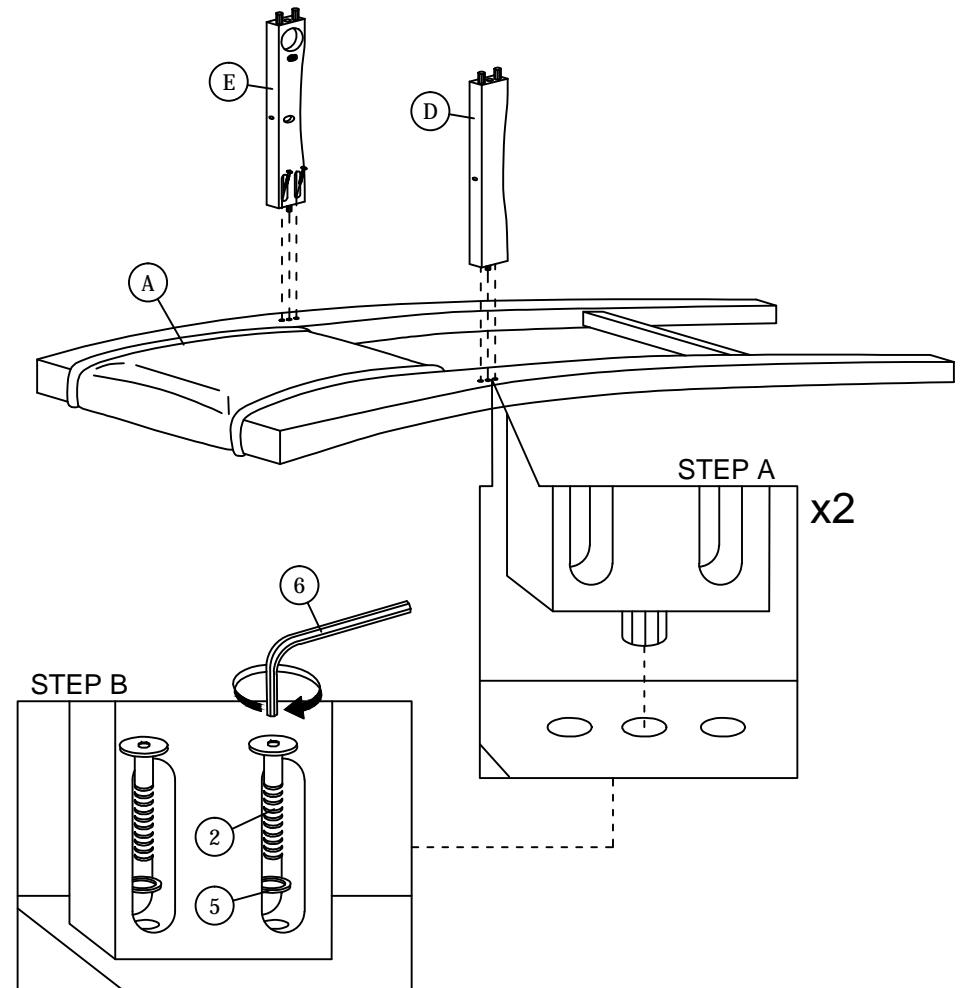
PART LIST		
ITEM	DESCRIPTION	QTY
A	CHAIR BACK	1 PC
B	FRONT LEG	1 PC
C	CUSHION SEAT FRAME	1 PC
D	SUPPORT RAIL (LEFT)	1 PC
E	SUPPORT RAIL (RIGHT)	1 PC
F	SIDE STRETCHER	2 PCS

HARDWARE LIST		
ITEM	DESCRIPTION	QTY
1	JCBC Bolt M6 x 50mm	2 PCS
2	JCBC Bolt M6 x 45mm	4 PCS
3	WOOD SCREW M4 x 32mm	7 PCS
4	WOOD DOWEL M8 x 30mm	6 PCS
5	M6 SPRING WASHER	6 PCS
6	M4 ALLEN KEY (BALL SHAPE)	1 PC

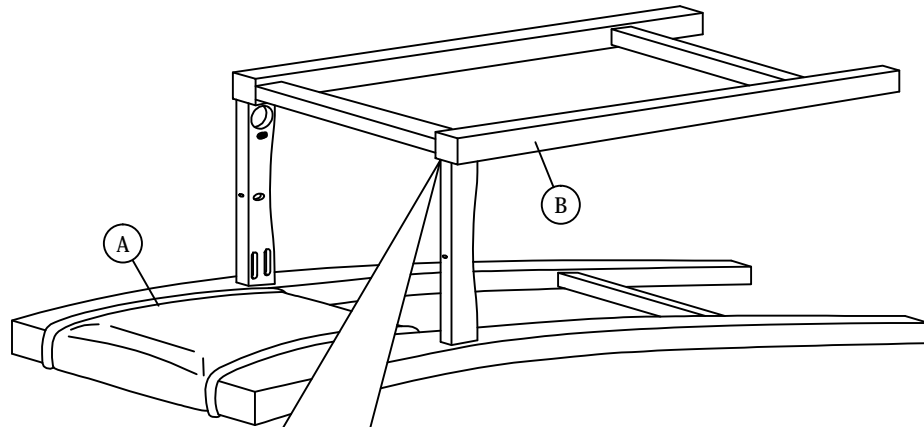
## STEP 1



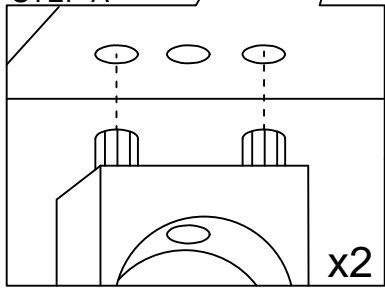
## STEP 2



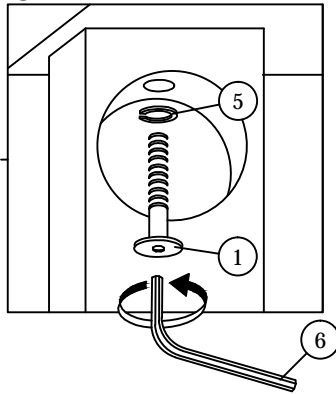
## STEP 3



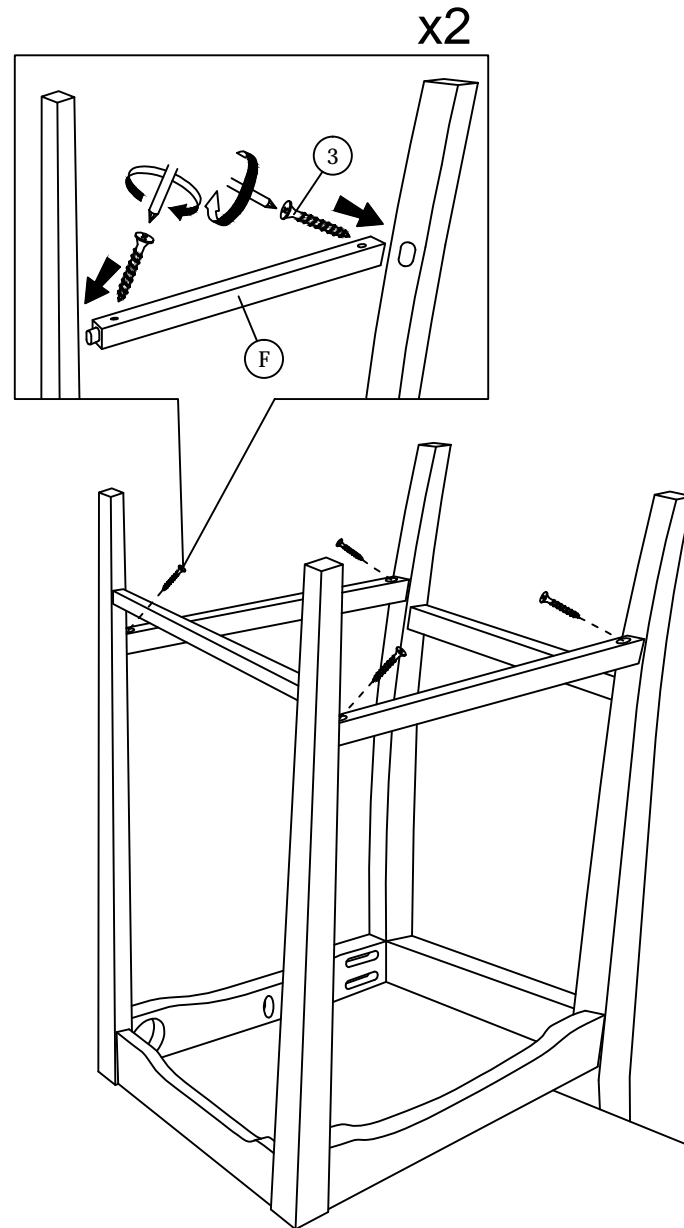
### STEP A



### STEP B

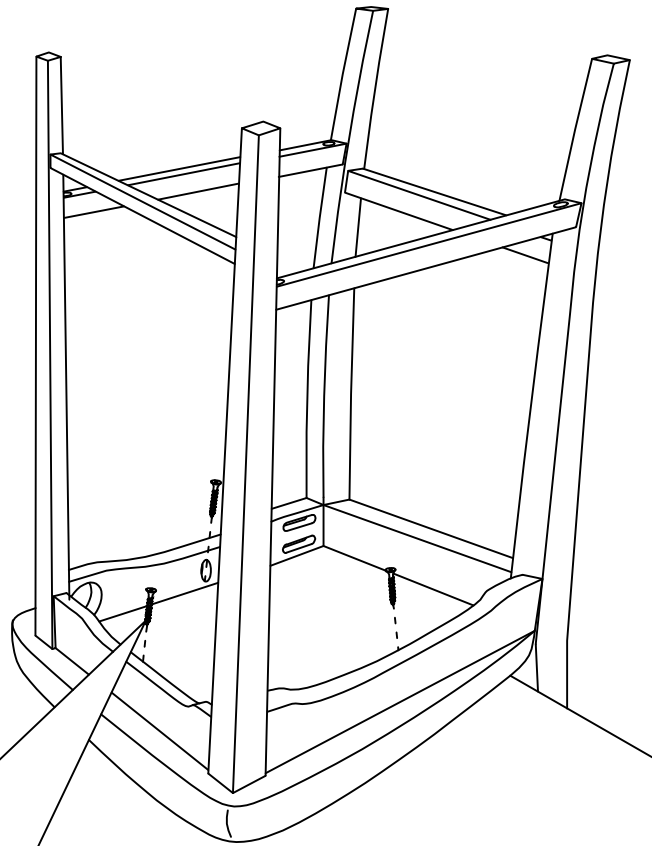


## STEP 4

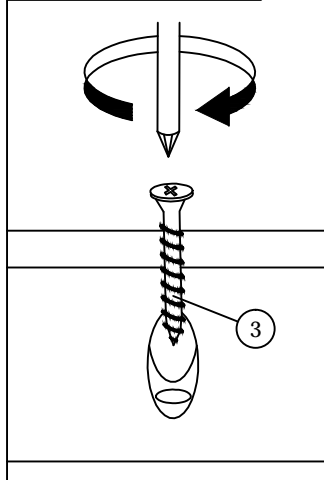


# ASSEMBLY INSTRUCTIONS

STEP 5



x3



STEP 6

