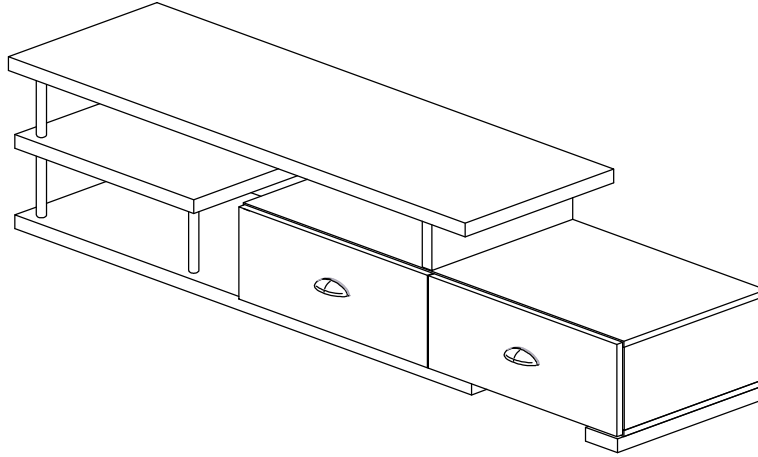
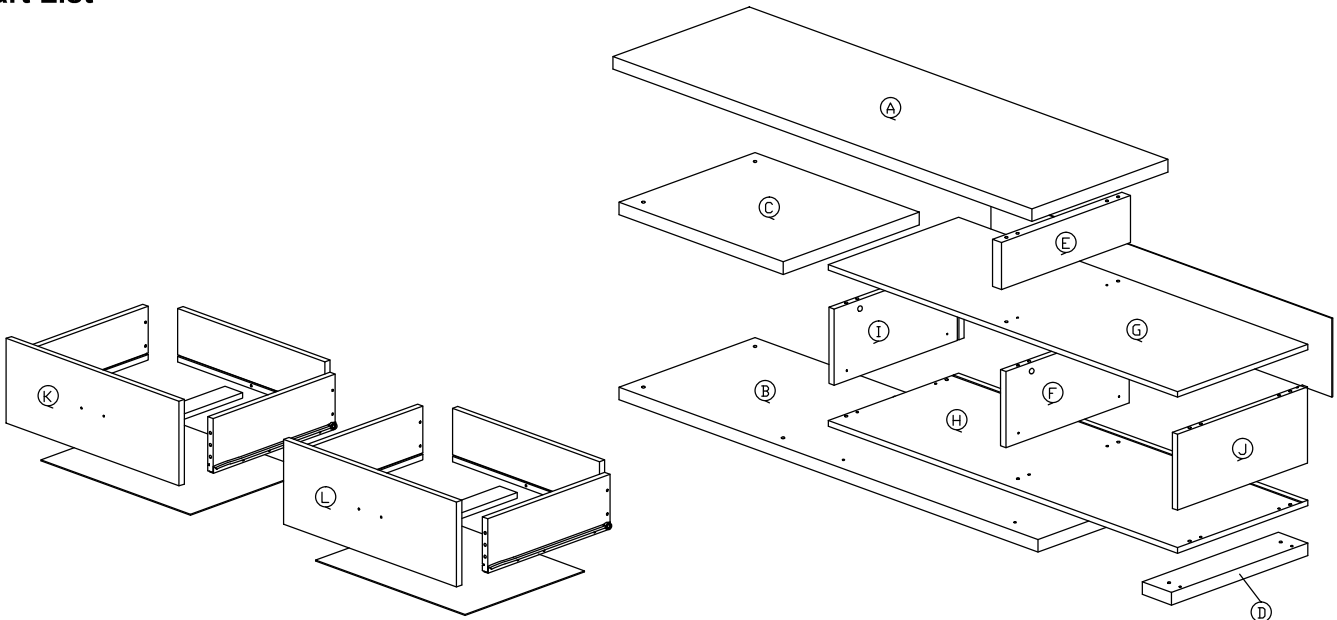


# Assembly Instruction

Model : WI4885



## Part List

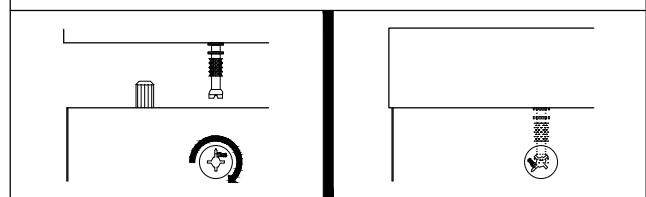


### Hardware List

No.	SHAPE	DESCRIPTION	Qty.
1		8x25mm Wood Dowel	28Pcs
2		15MM Titus Mini Fix	16Sets
3		M5x8mm Screw (Euro Screw)	8Pcs
4		M3x16mm Screw	2Pcs
5		M4x38mm Screw	10Pcs
6		M4x50mm Screw	6Pcs
7		M5x38mm Screw	6Pcs
8		Screw M8x40mm	4Pcs
9		15mm Minifix Cap (hole)	4Pcs
10		15mm Minifix Cap	4Pcs
11		Drawer Slide 14" (350mm)	2Sets

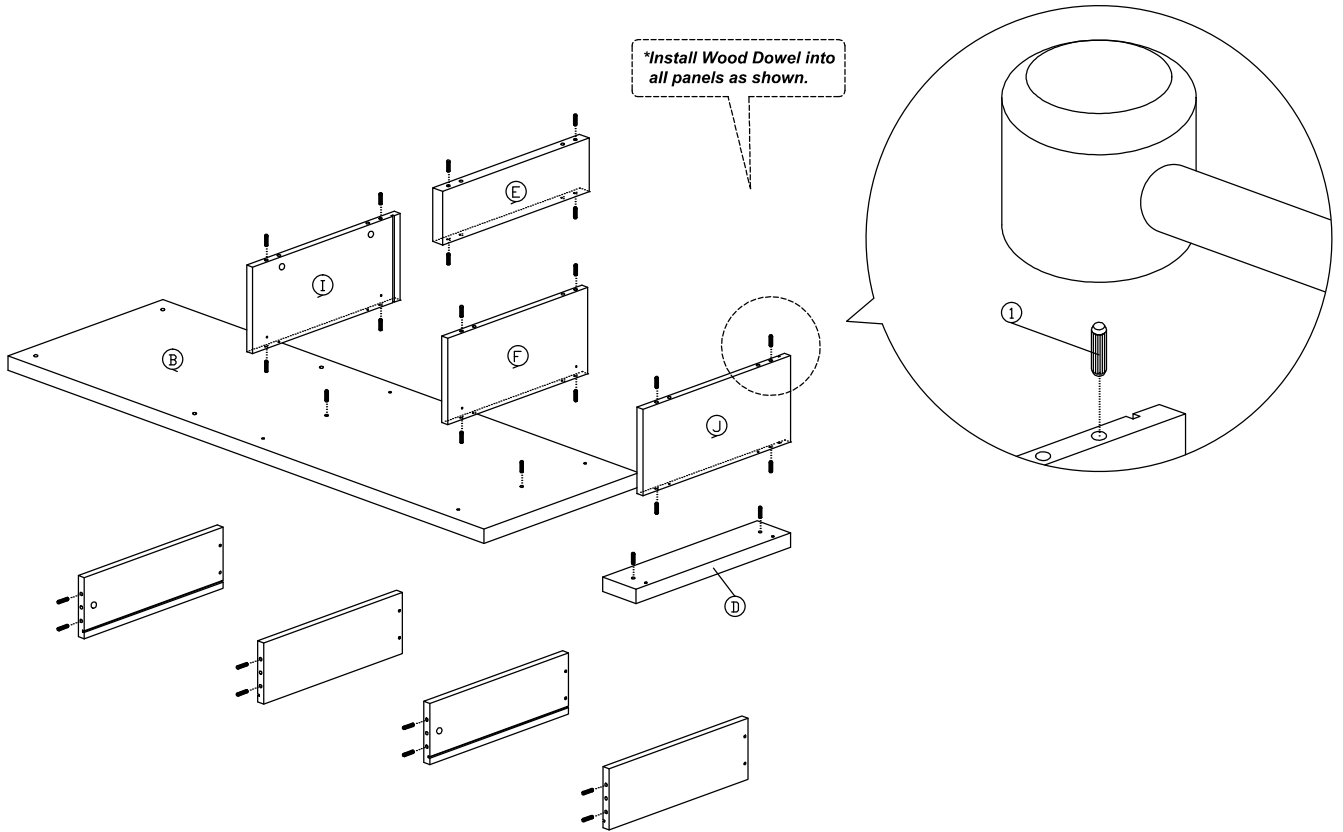
12		Steel Pipe (Ø30 x 164mm)	4Pcs
13		Steel Pipe (Ø30 x 164mm)	2Pcs
14		Z Bracket	2Pcs
15		Handle 3560 (64mm) Handle Screw M4x20mm	2Sets
16		Nail Leg	8Pcs

### Dowel / Cam - Lock Installation

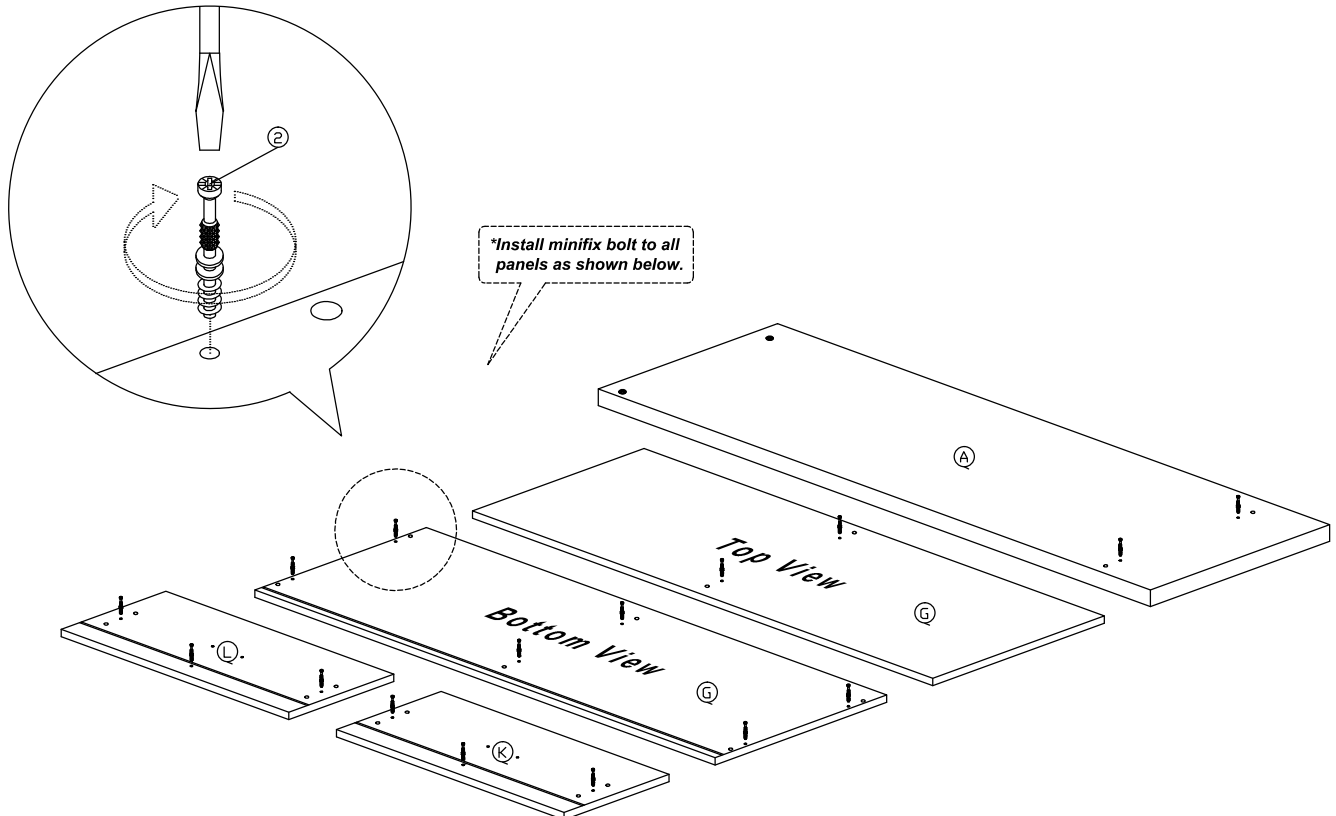


# Assembly Instruction

## Step 1

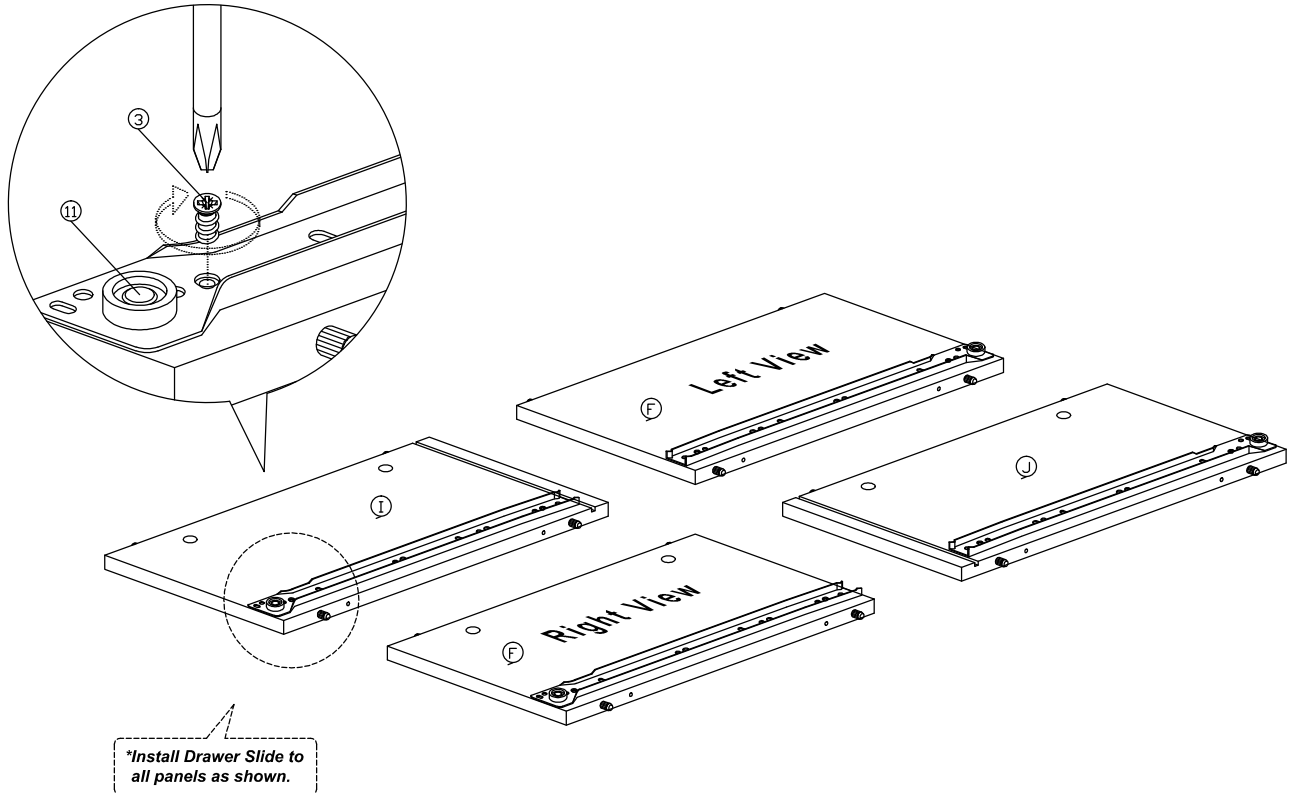


## Step 2

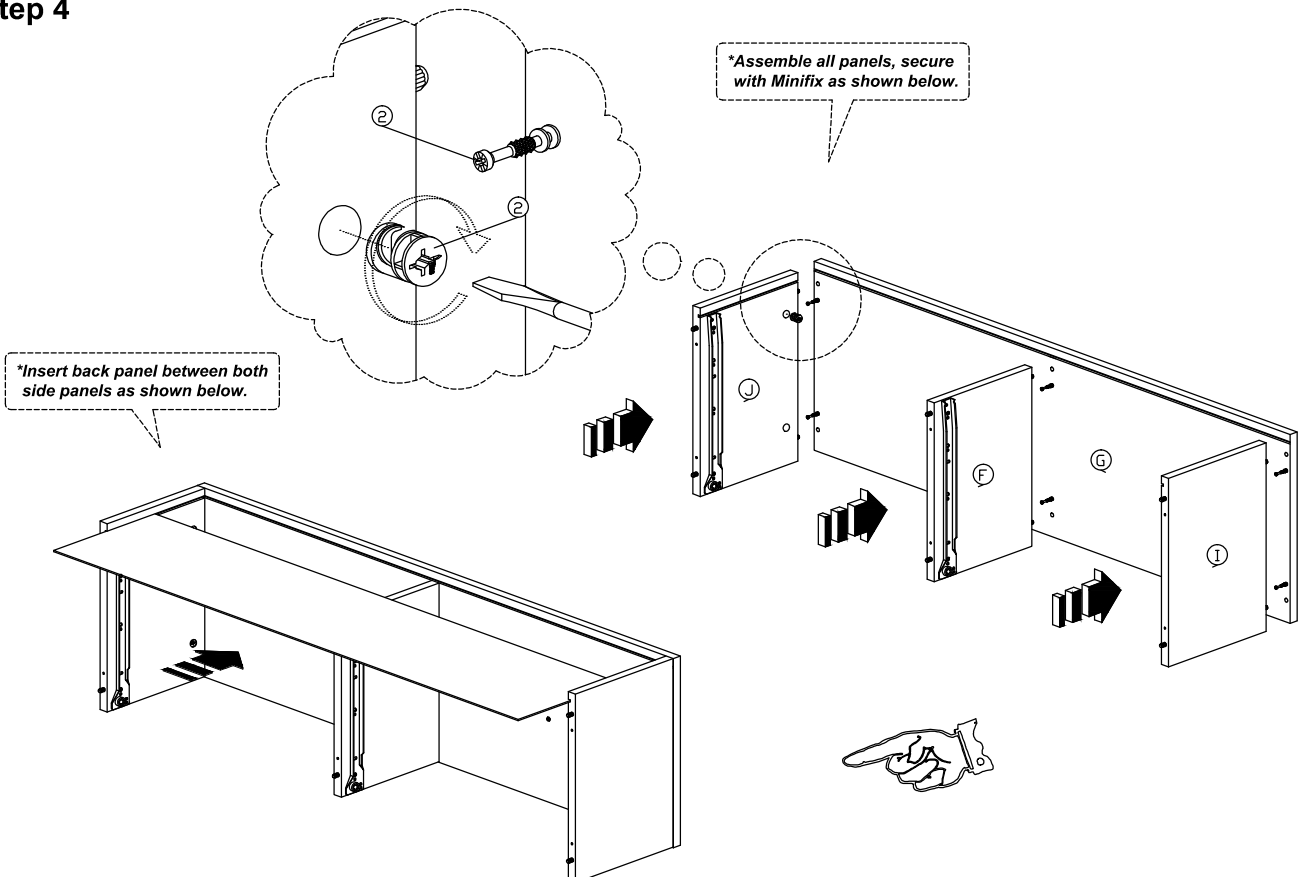


# Assembly Instruction

## Step 3

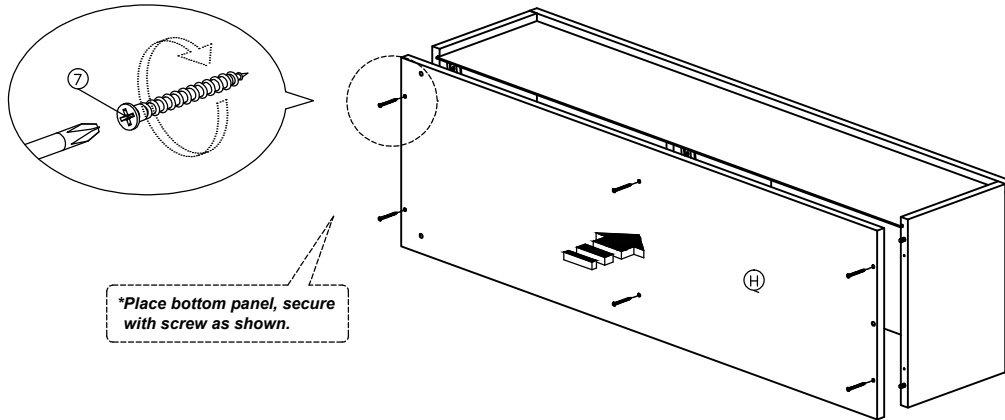


## Step 4

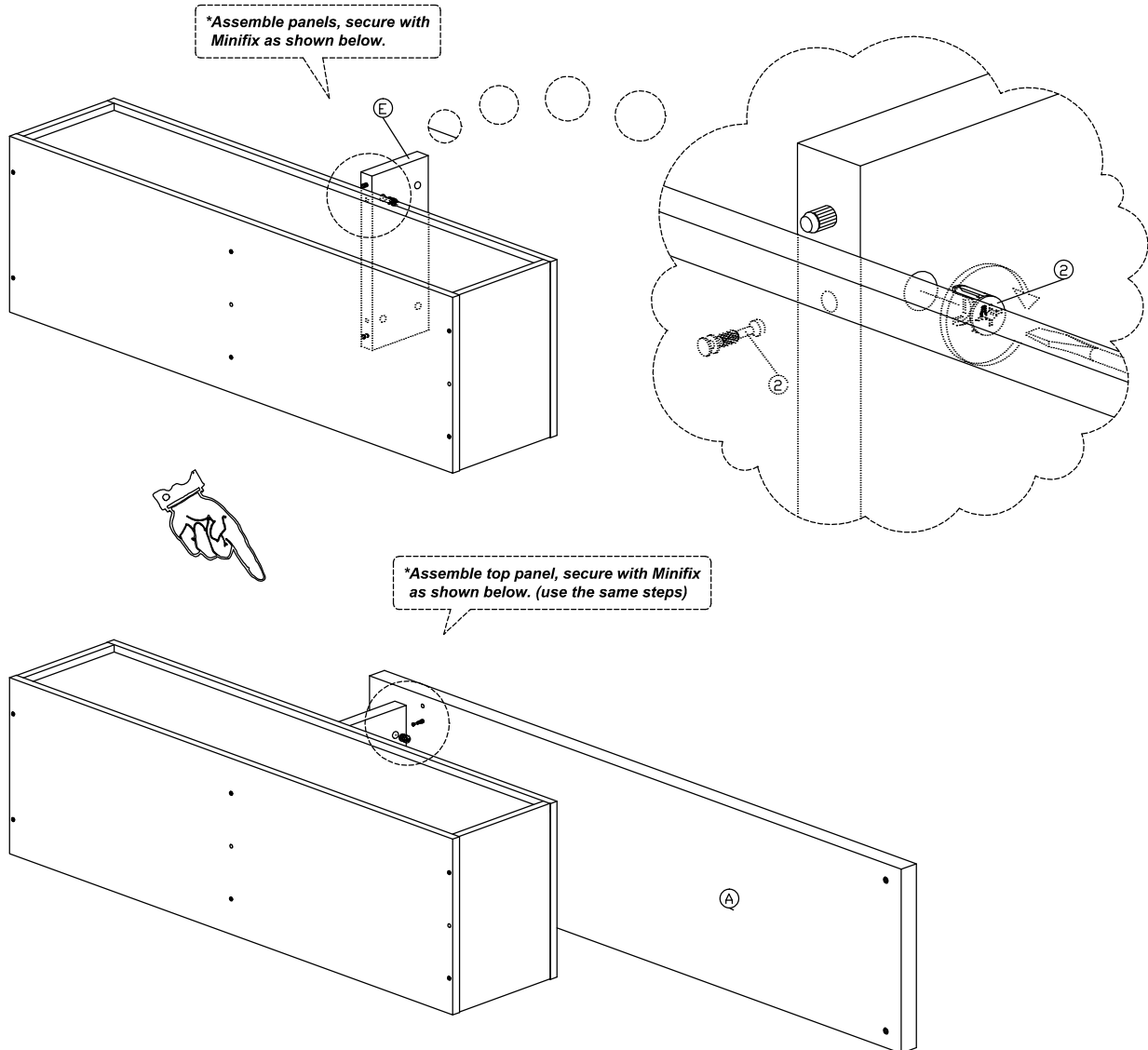


# Assembly Instruction

## Step 5

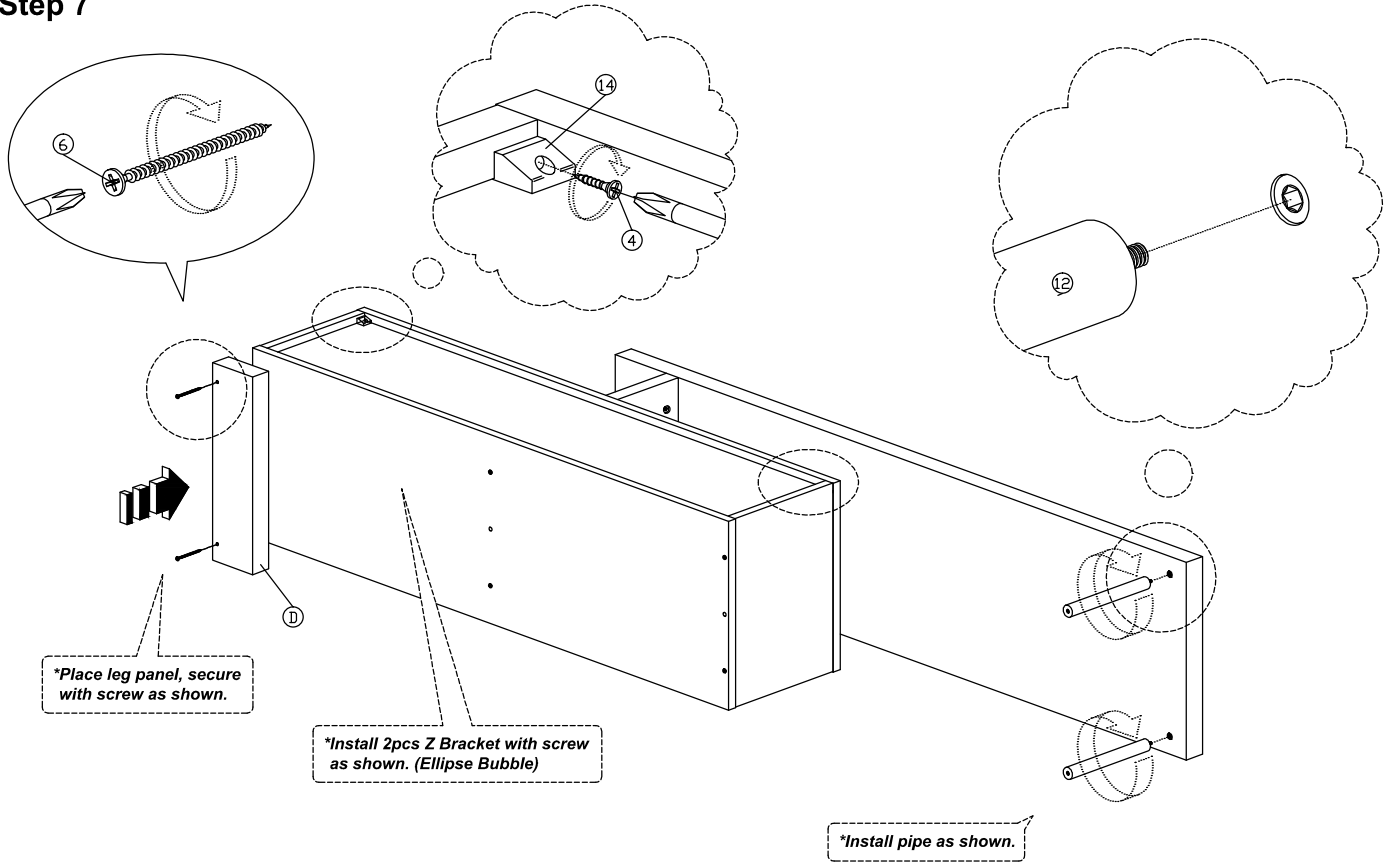


## Step 6

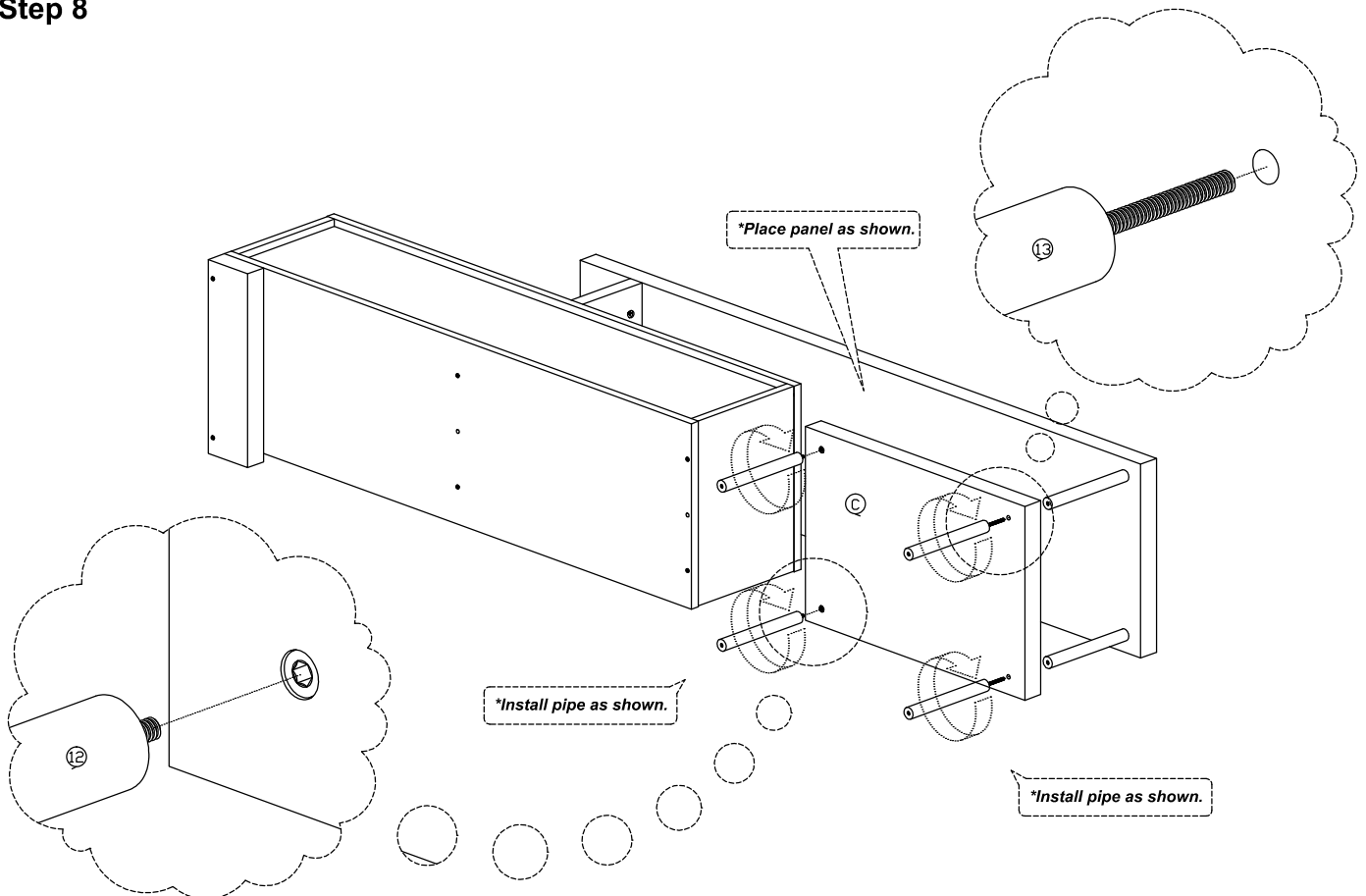


# Assembly Instruction

## Step 7

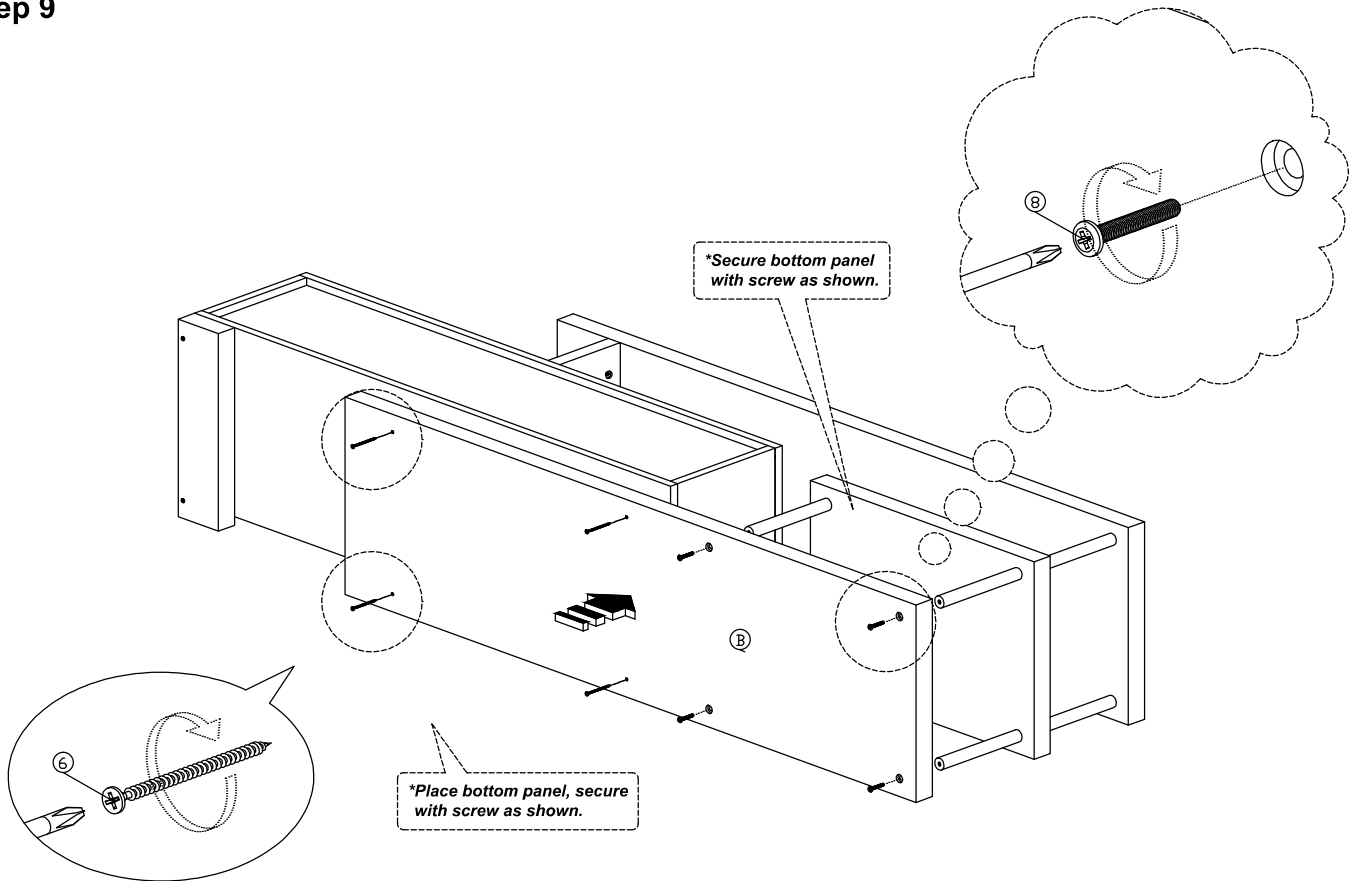


## Step 8

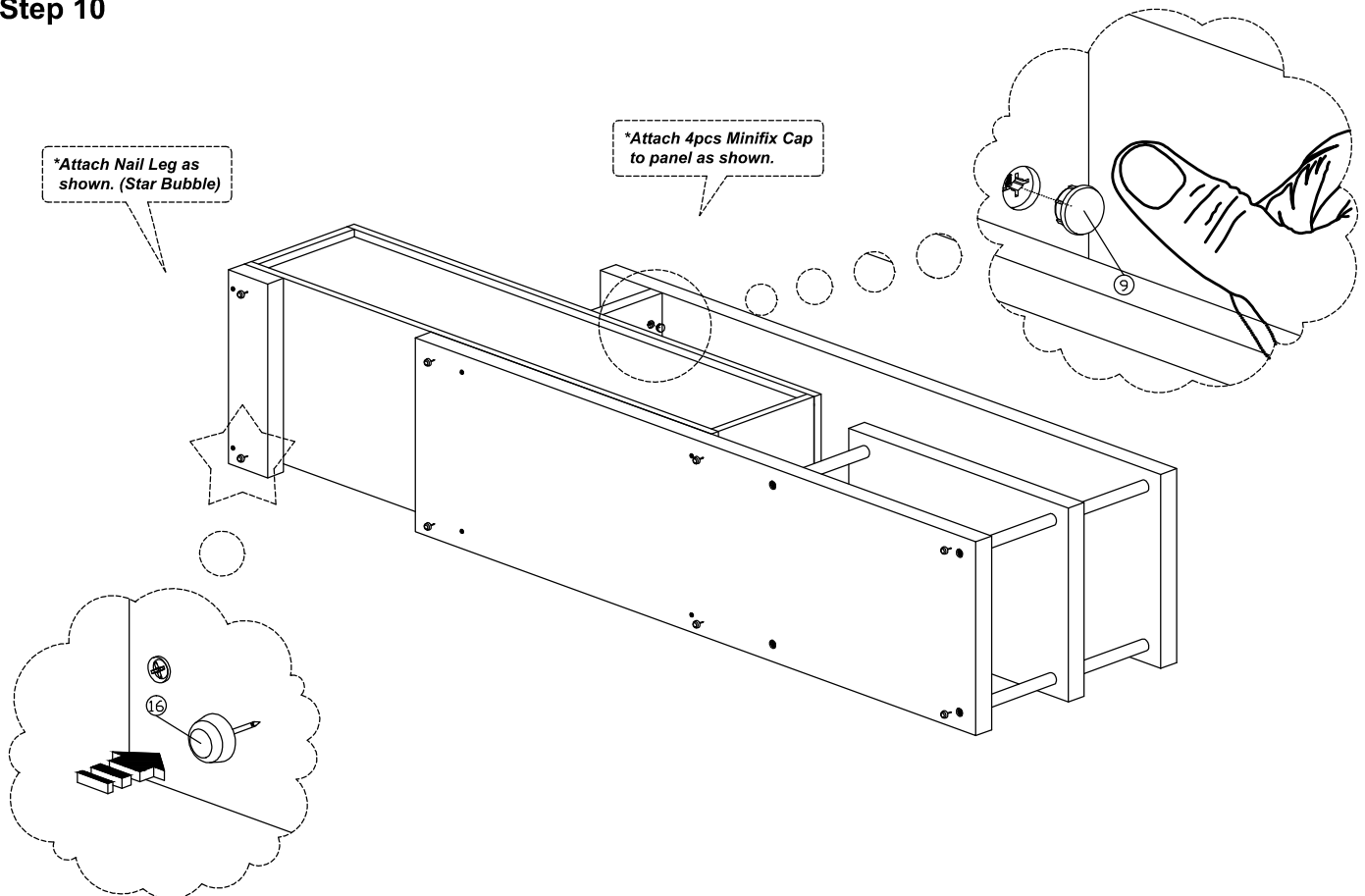


# Assembly Instruction

## Step 9

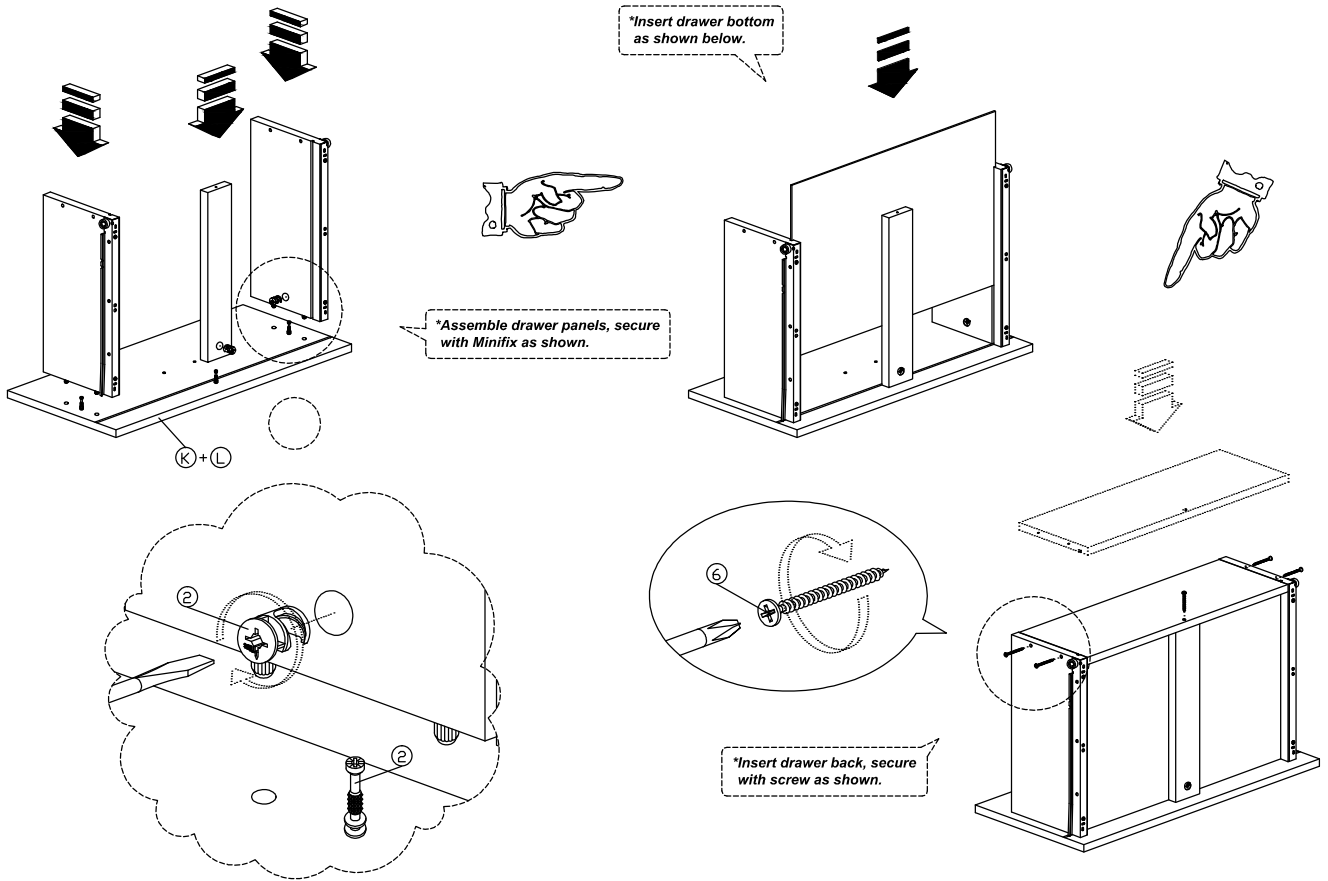


## Step 10

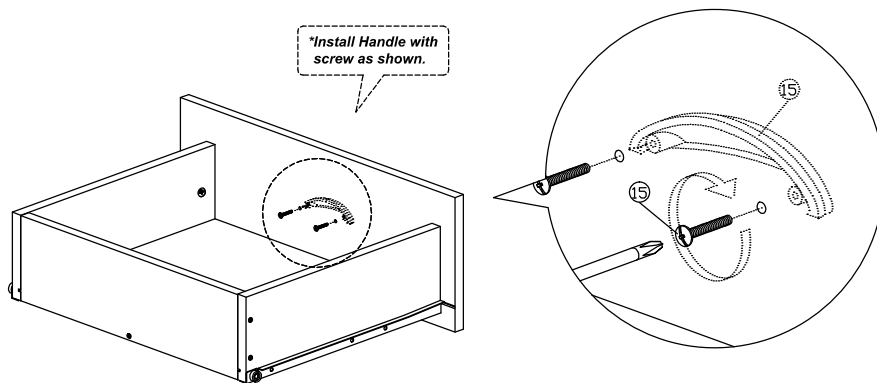


# Assembly Instruction

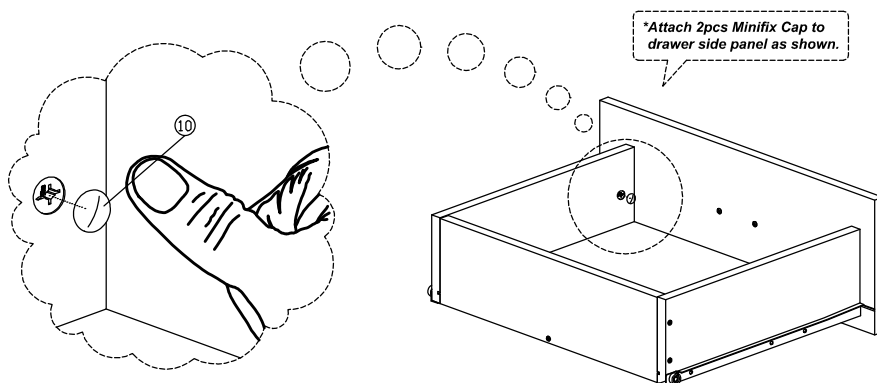
## Step 11



## Step 12

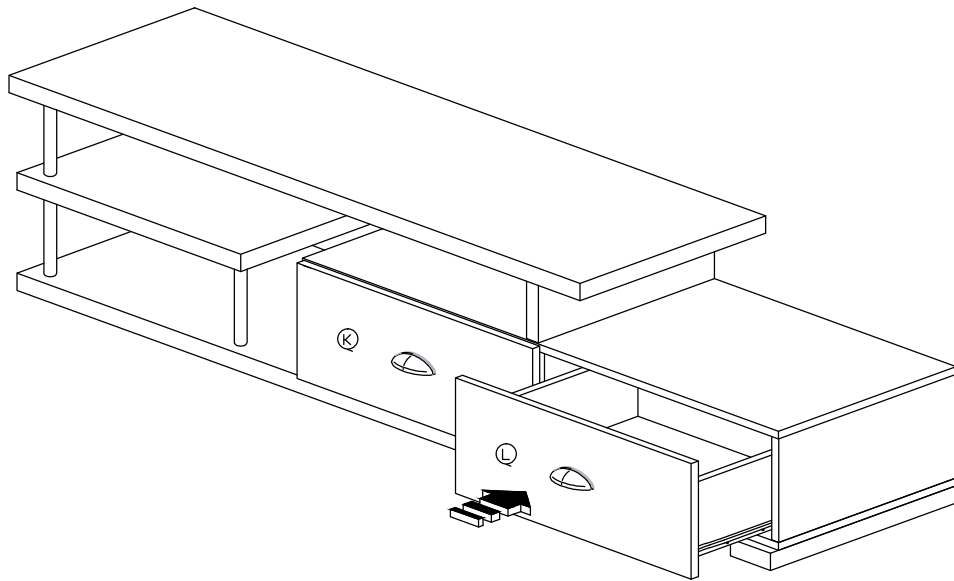


## Step 13



# Assembly Instruction

## Step 14



*\*Place both drawers into cabinet as shown above.*

## Complete

