

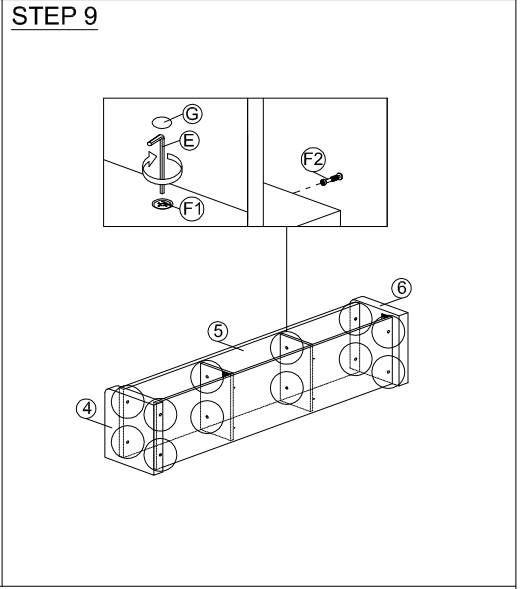
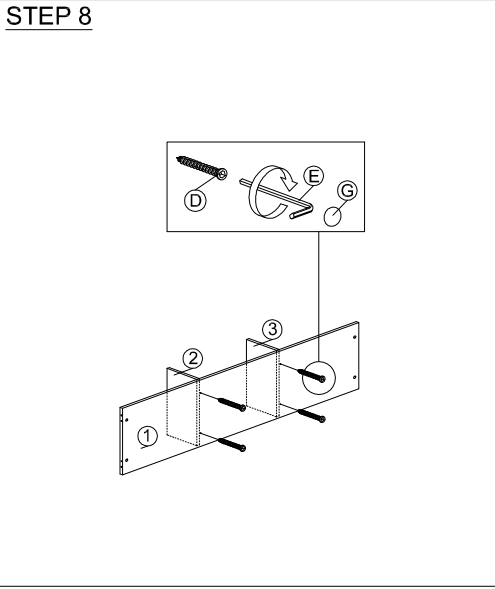
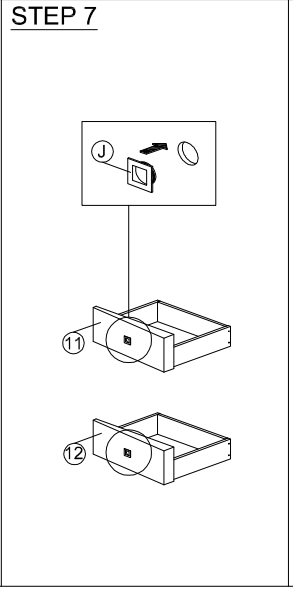
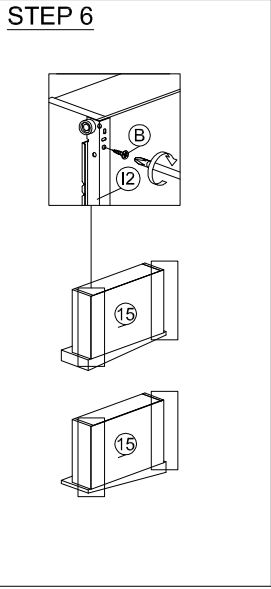
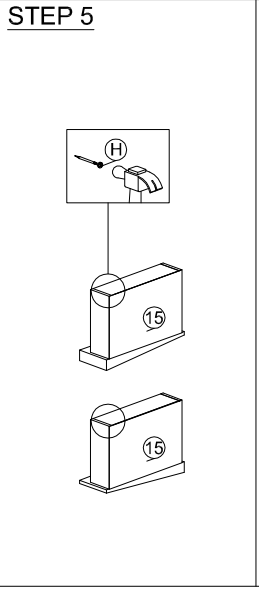
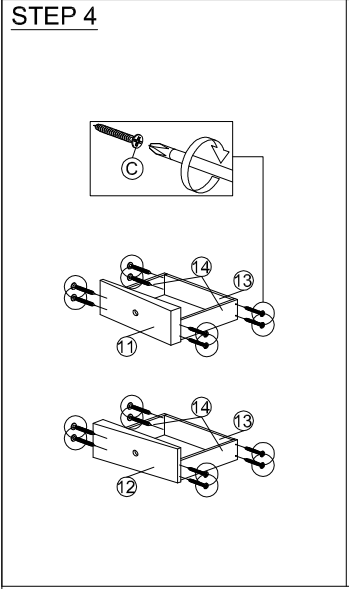
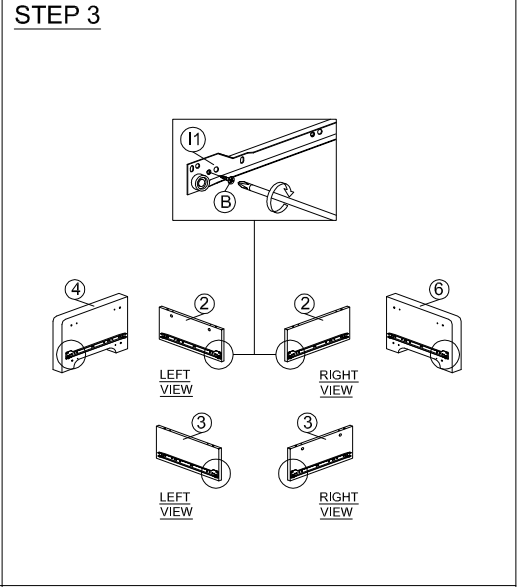
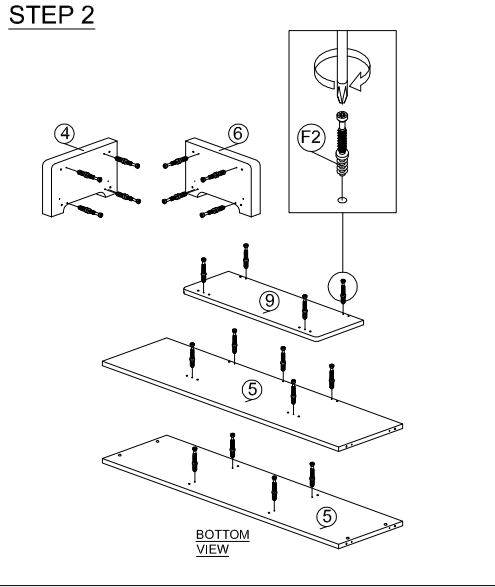
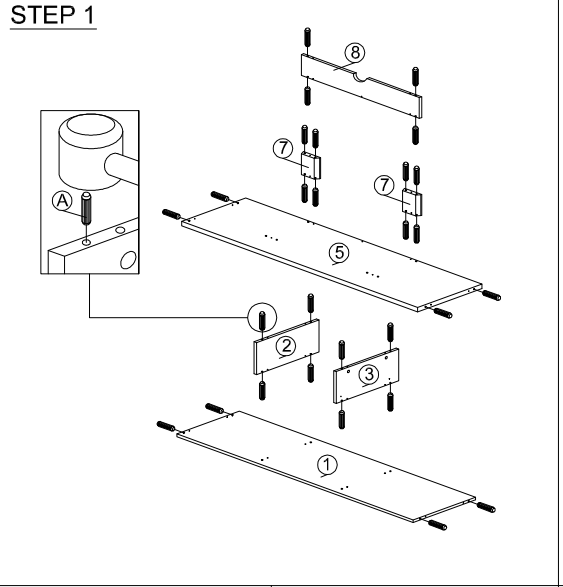
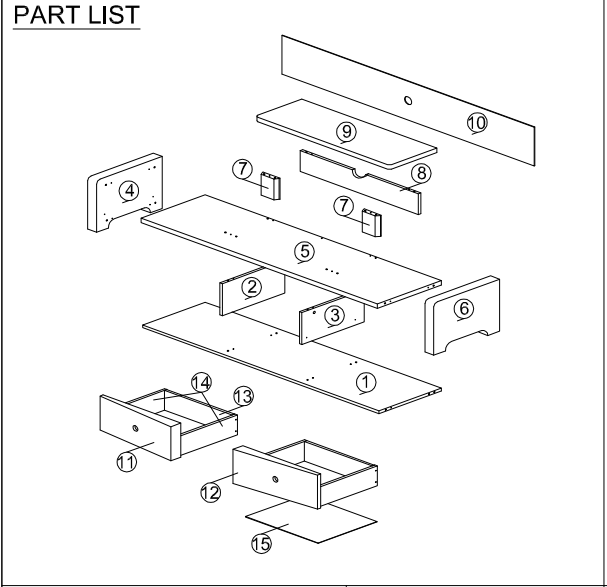
ASSEMBLY INSTRUCTION

MODEL : TV 838081

DESCRIPTION : TV CABINET WITH 2 DRAWERS

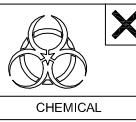
HARDWARE

A WOOD DOWEL 8 X 25 1X28	B 16MM CB SCREW M3.5X16MM 1X32	C 38MM CB SCREW M4X38MM 1X16	D 50MM CSK CAP WOOD M6X50MM 1X4	E L KEY 1X1	F F1 F2 MINIFIX 5654+5546 21 SETS	G QUICKFIT CAP 1X25	H NAIL 5/8 1X40	I I1 I2 DRAWER SLIDE 14" 2 SETS	J BK 118-35MM HANDLE 1X2	K 5038 PVC LEG 1X2
--	---	---	--	------------------------------	--	---	----------------------------------	---	--	--

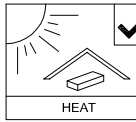




SOFT, DRY CLOTH



CHEMICAL



HEAT



KEEP DRY



HANDLE WITH CARE



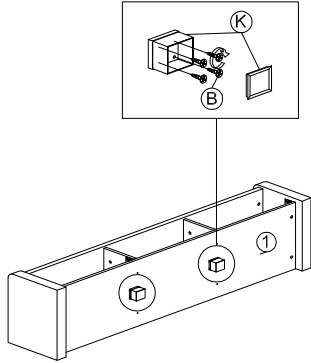
DO NOT USE KNIFE

ASSEMBLY INSTRUCTION

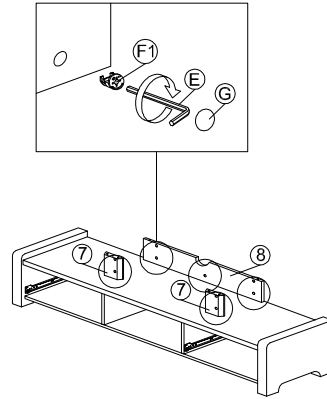
MODEL : TV 838081

DESCRIPTION : TV CABINET WITH 2 DRAWERS

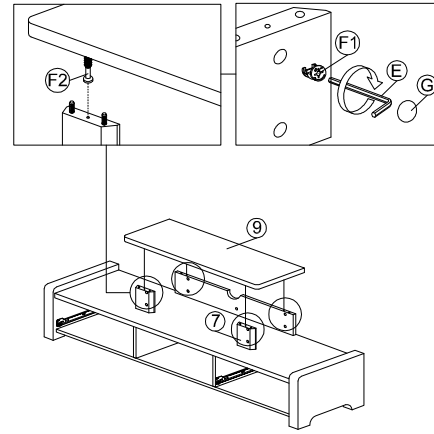
STEP 10



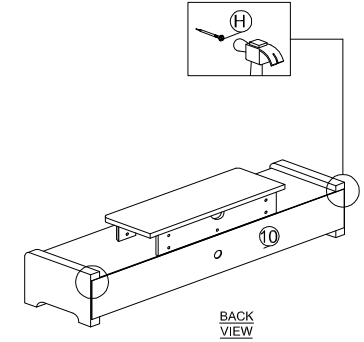
STEP 11



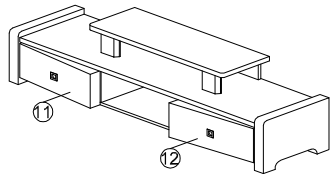
STEP 12



STEP 13



STEP 14



COMPLETED

