

ASSEMBLY INSTRUCTION

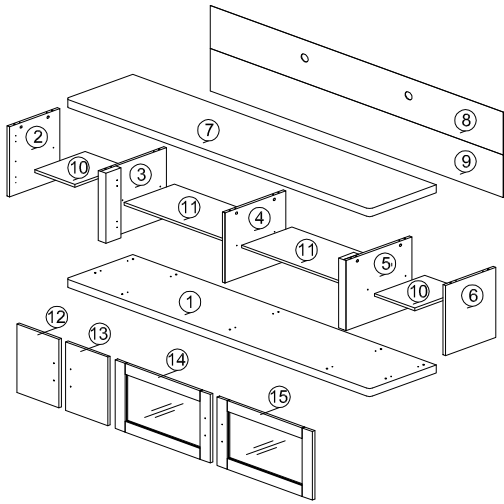
MODEL : TV 838076

DESCRIPTION : TV CABINET

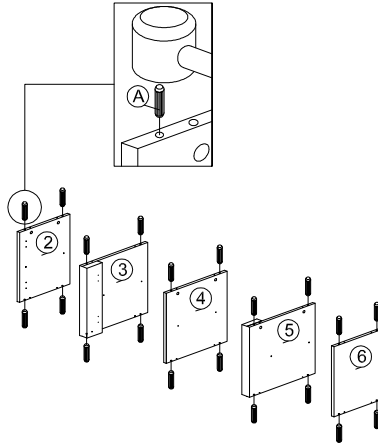
HARDWARE

A WOOD DOWEL 8 X 25 1X20	B CB SCREW M3.5X16MM 1X48	C CB SCREW M4X38MM 1X22	D CB SCREW M4X65MM 1X4	E NAIL 5/8 1X41	F L KEY 1X1	G METAL SHELF SUPPORT 1X16	H MINIFIX 5654+5546 10 SETS	H1 QUICKFIT CAP	I HANDLE 525 -96MM (METAL) 1X4	I2 HANDLE SCREW M4X19M 1X8	J HINGES 5/8 4 SETS	K HINGES 7/8 4 SETS	L WOOD LEG 98X98X45MM 1X5	M MIRROR BRACKET 1X16
--	---	---	--	----------------------------------	------------------------------	---	---	----------------------------------	---	---	--------------------------------------	--------------------------------------	---	---

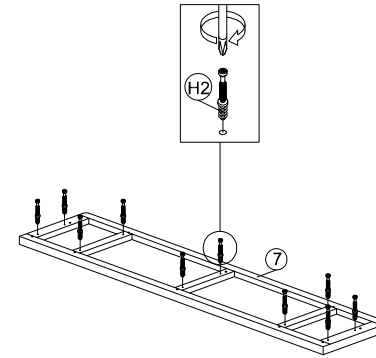
PART LIST



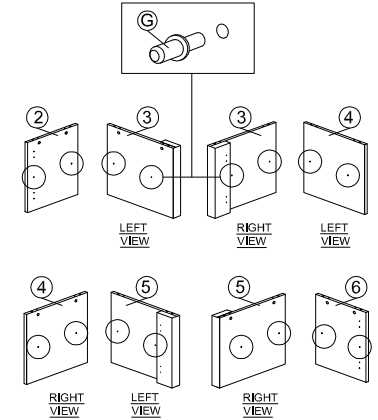
STEP 1



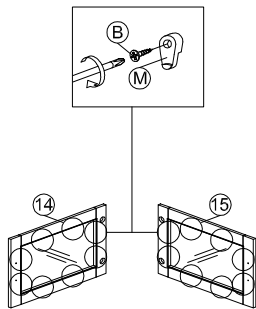
STEP 2



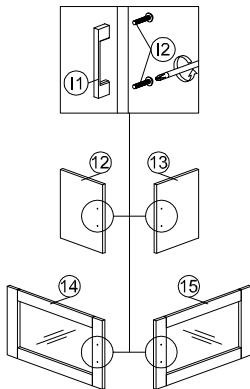
STEP 3



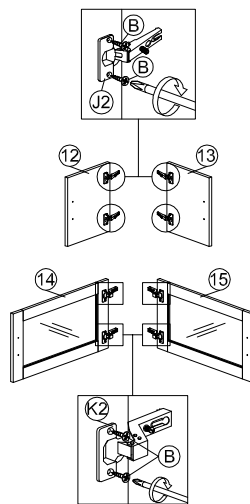
STEP 4



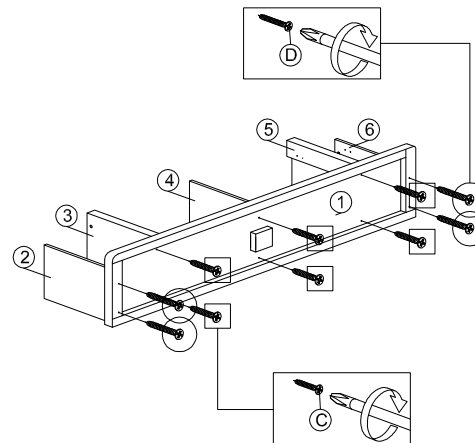
STEP 5



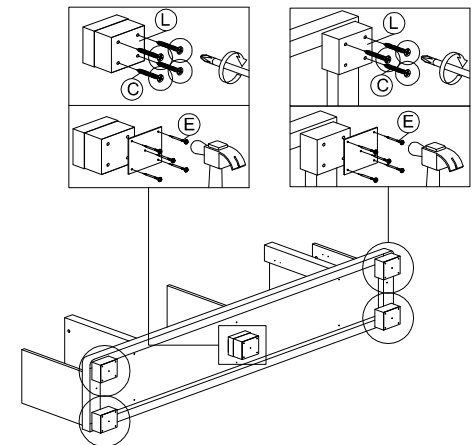
STEP 6



STEP 7

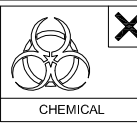


STEP 8

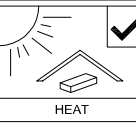




SOFT, DRY CLOTH



CHEMICAL



HEAT



KEEP DRY



HANDLE WITH CARE



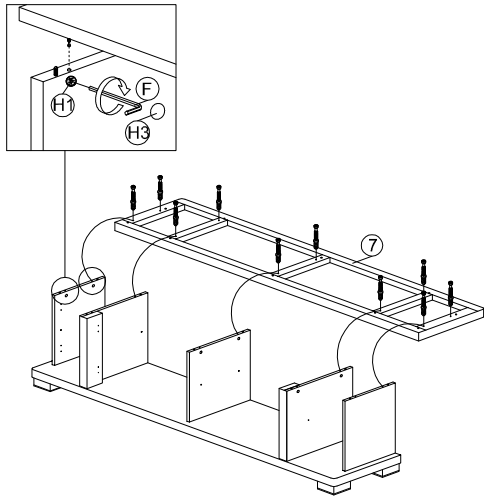
DO NOT USE KNIFE

ASSEMBLY INSTRUCTION

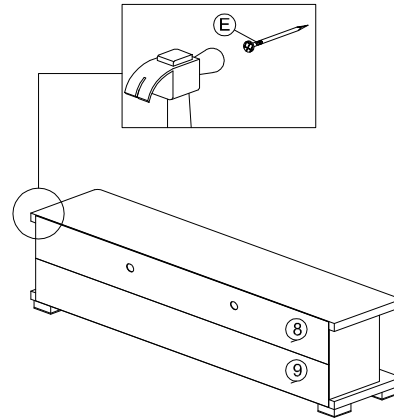
MODEL : TV 838076

DESCRIPTION : TV CABINET

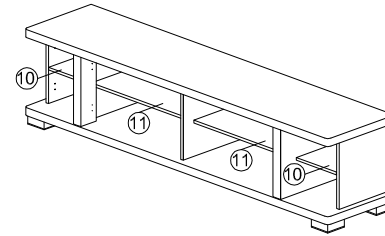
STEP 9



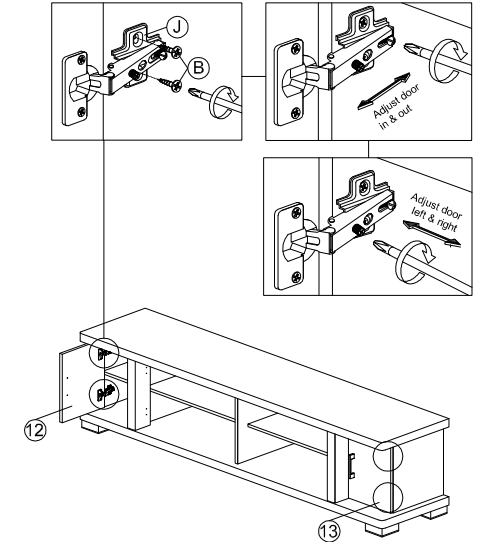
STEP 10



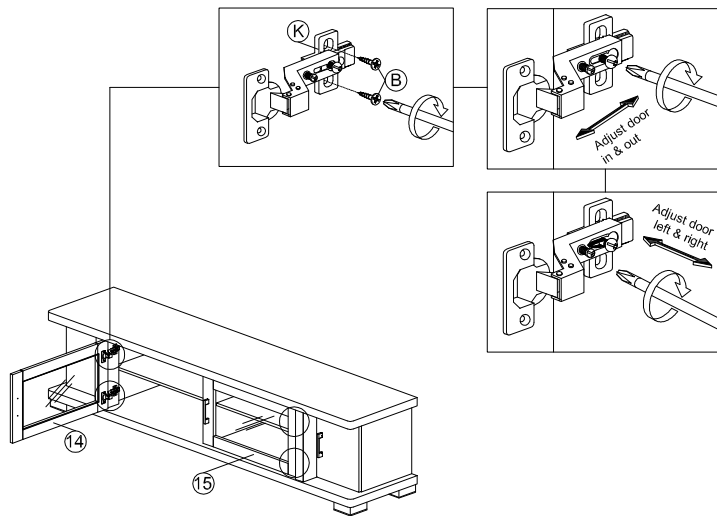
STEP 11



STEP 12



STEP 13



COMPLETED

