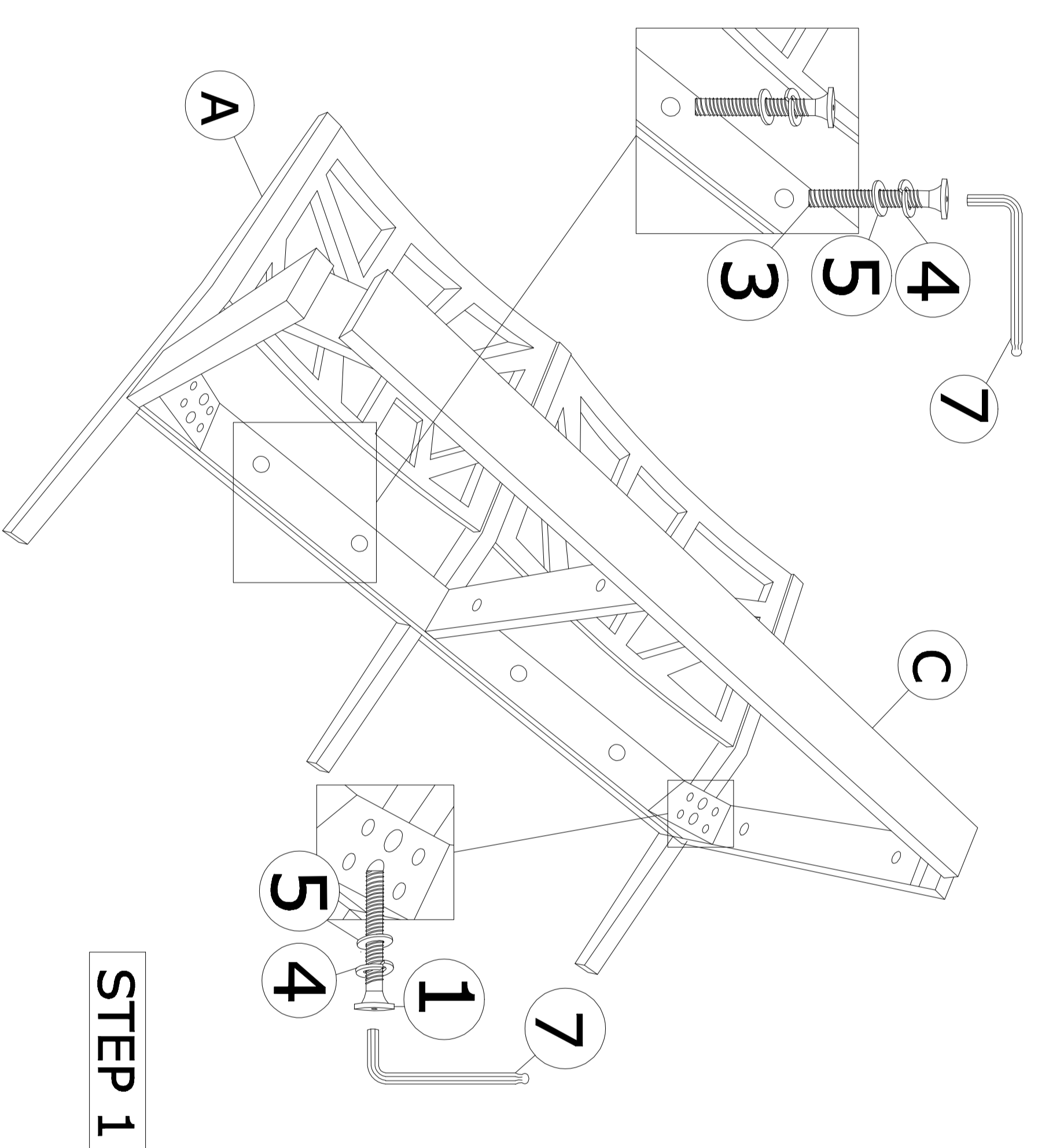
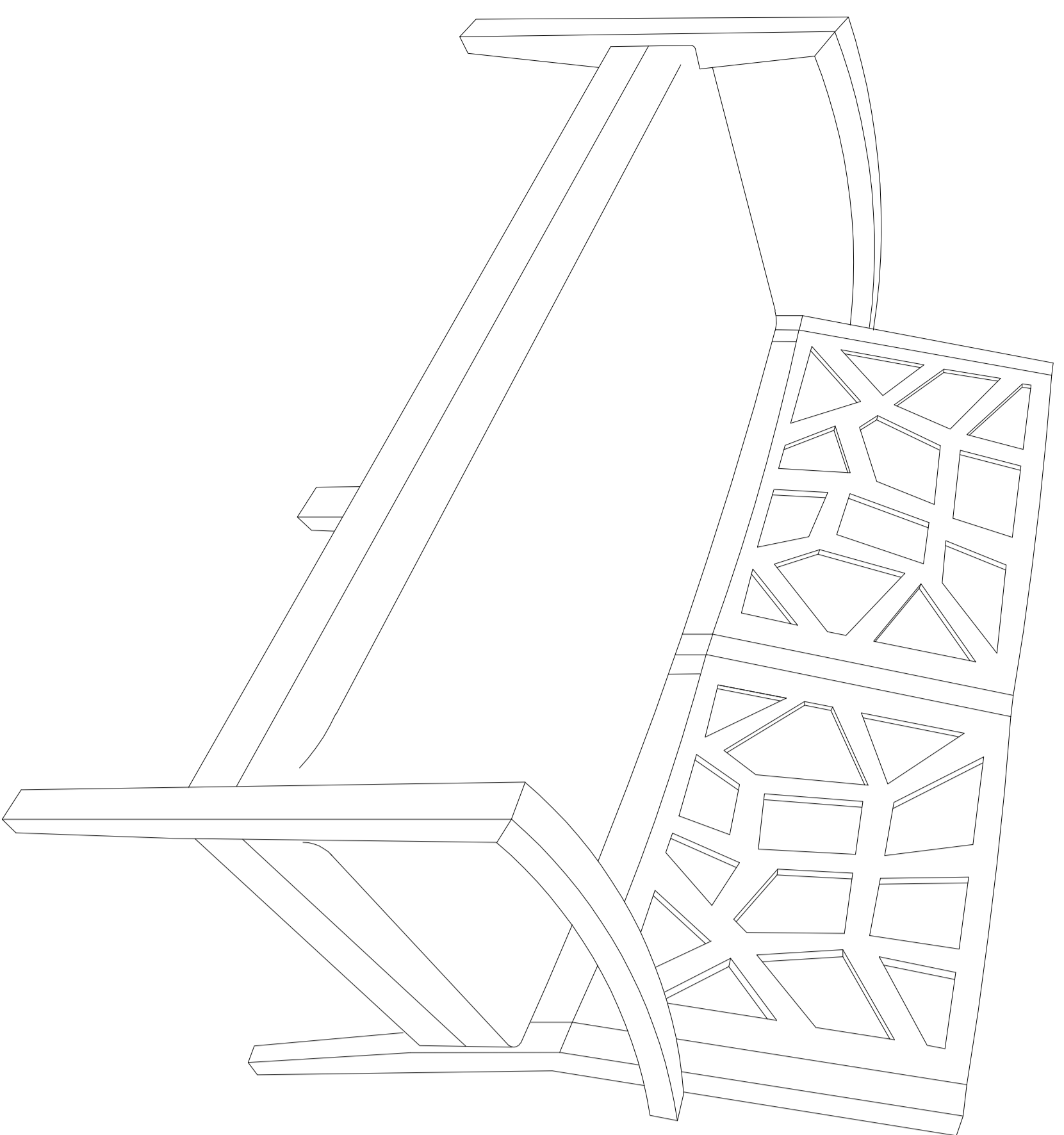
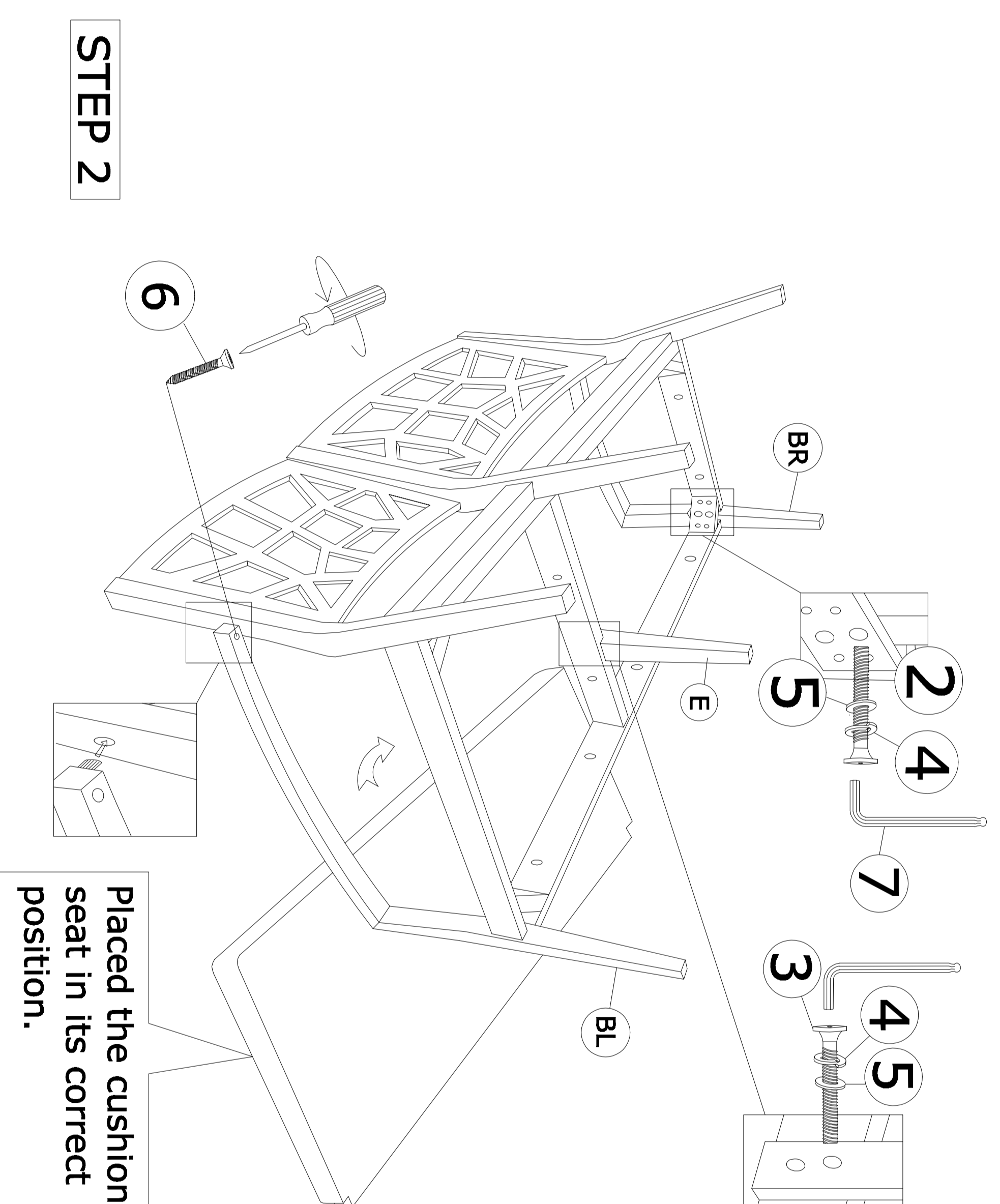


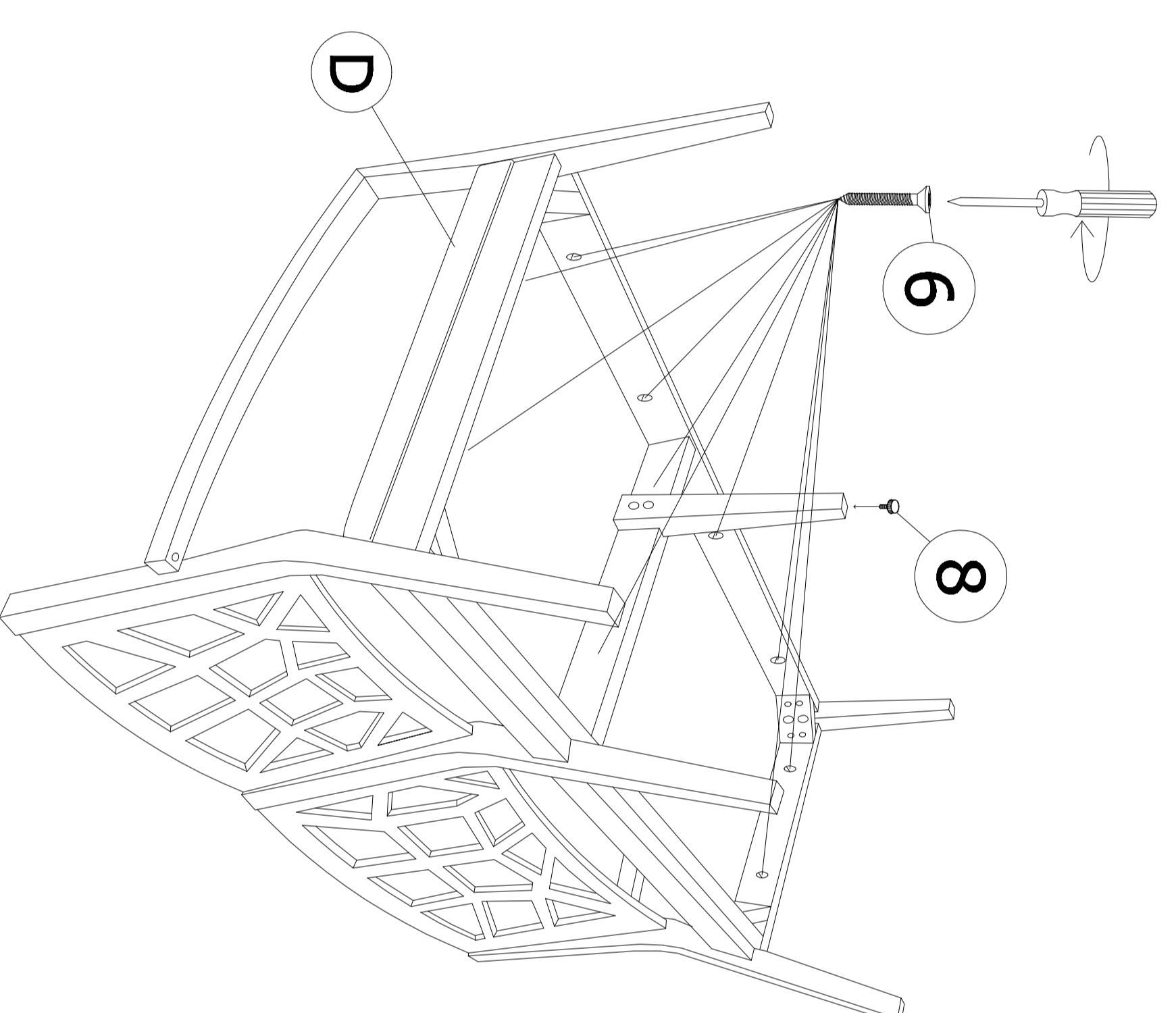
# JENIFER LOVESEAT



STEP 1



STEP 2



STEP 3

## PRODUCT DESCRIPTION

Read instruction carefully. Removing all wrapping material, staples and straps from the carton. See Hardware and Furniture Part List for guidance. Be sure you have all part before you start assembling. Place all wooden furniture part a clean and flat soft surface, such as carpet or rug to prevent from being scratched.

## CAUTION

**KEEP ALL HARDWARE PART OUT OF REACH OF CHILDREN**

HARDWARE LIST			
ITEM	DESCRIPTION	QTY	Spare QTY
1	JCBC BOLT M6 X 80MM	4 PCS	1 PC
2	JCBC BOLT M6 X 60MM	4 PCS	1 PC
3	JCBC BOLT M6 X 40MM	6 PCS	1 PC
4	SPRING WASHER M6	14 PCS	2 PCS
5	FLAT WASHER	14 PCS	2 PCS
6	CSK CB SCREW M8 X 32MM	12 PCS	2 PCS
7	ALLEN KEY M4 (BALL SHAPE)	1 PC	
8	ADJUSTABLE SCREW 6 X 23MM	1 PC	

PART LIST		
ITEM	DESCRIPTION	QTY
A	CHAIR BACK	1 PC
B	ARM LEG (L&R)	2 PCS
C	CHAIR FRAME	1 PC
D	CHAIR SEAT	1 PC
E	MIDDLE LEG	1 PC