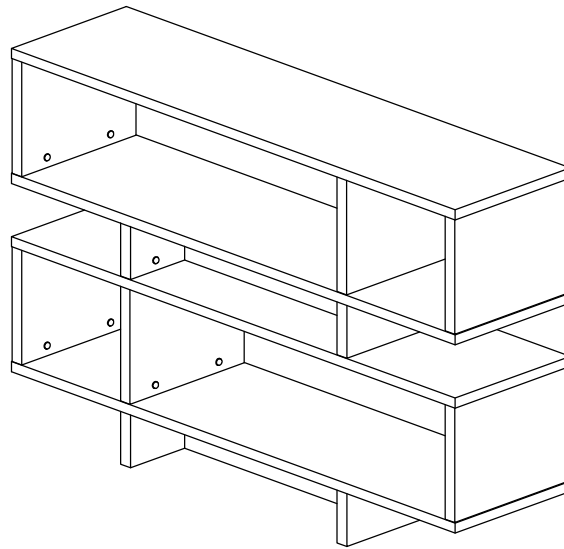
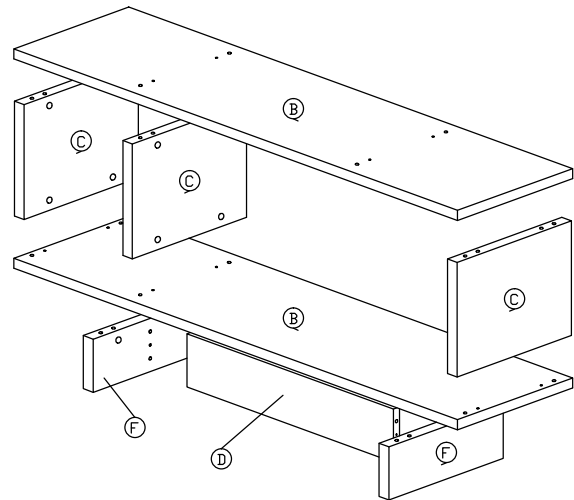
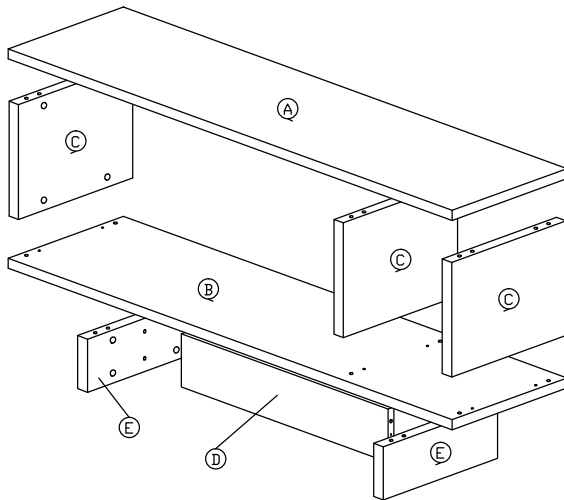


Assembly Instruction

Model : WI5051



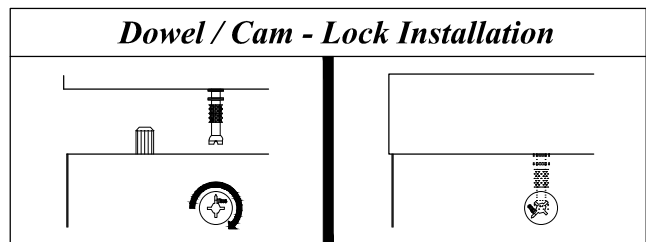
Part List



Hardware List

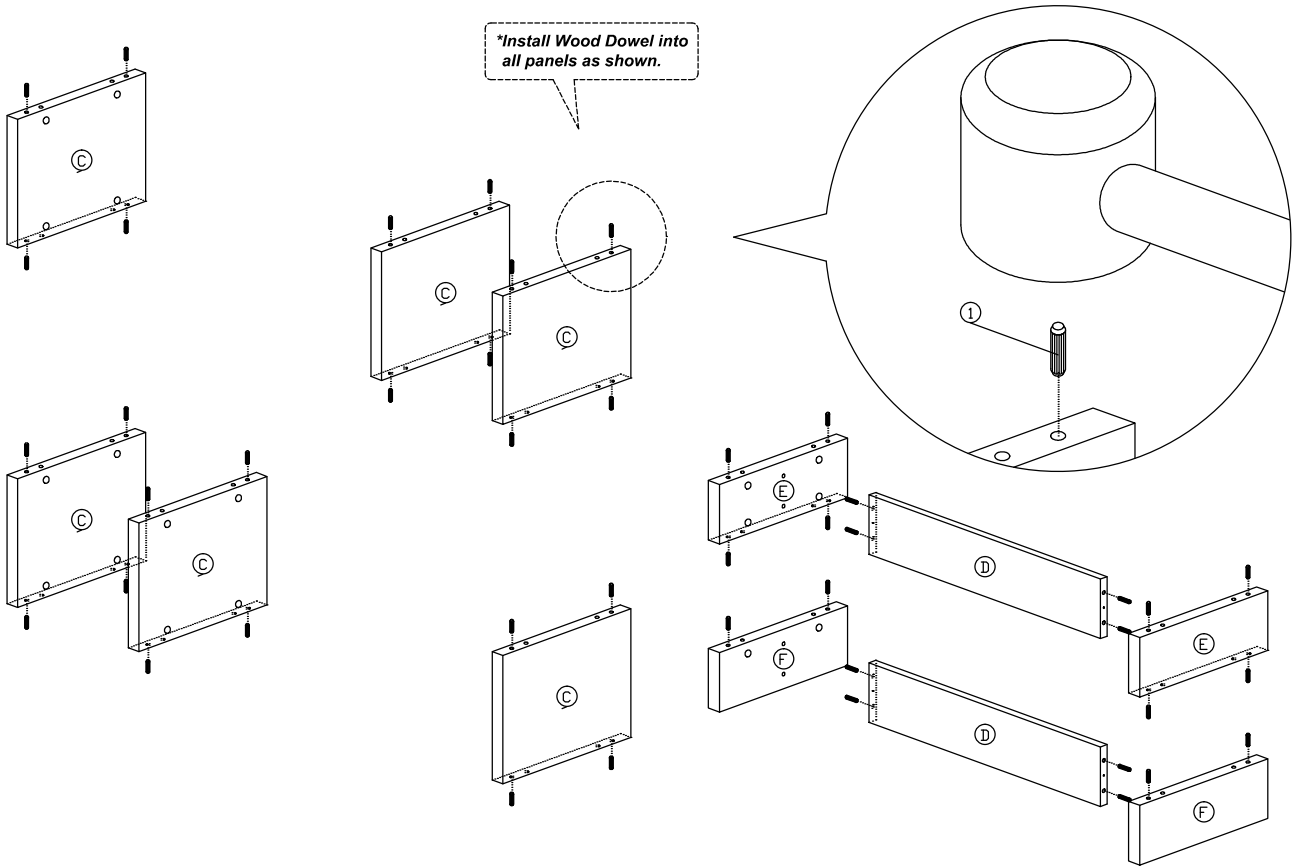
No.	SHAPE	DESCRIPTION	Qty.
1		8x25mm Wood Dowel	44Pcs
2		15MM Titus Mini Fix	36Sets
3		M4x50mm Screw	2Pcs
4		15mm Minifix Cap	36Pcs
5		Screw Cap	2Pcs
6		Nail Leg	4Pcs

Dowel / Cam - Lock Installation

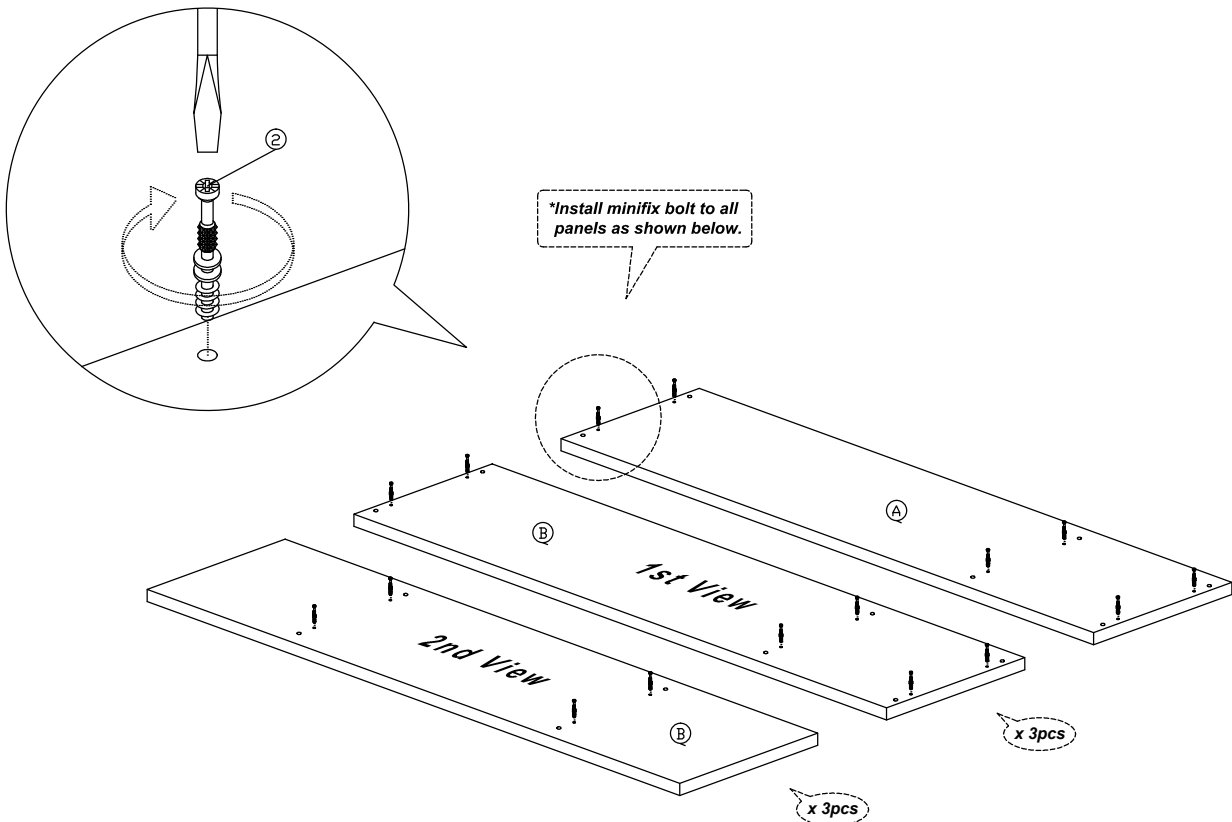


Assembly Instruction

Step 1

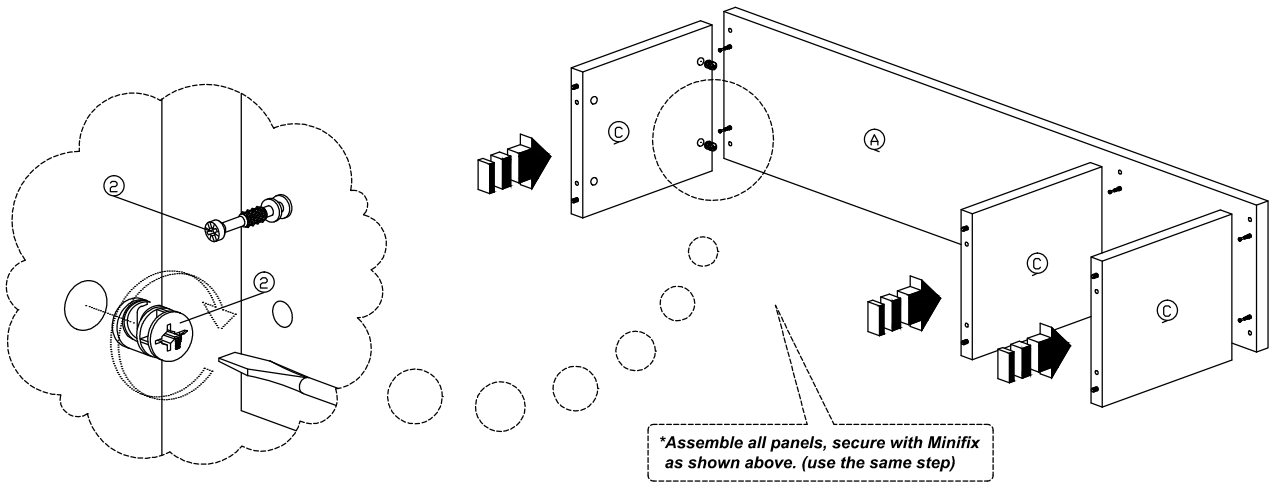


Step 2

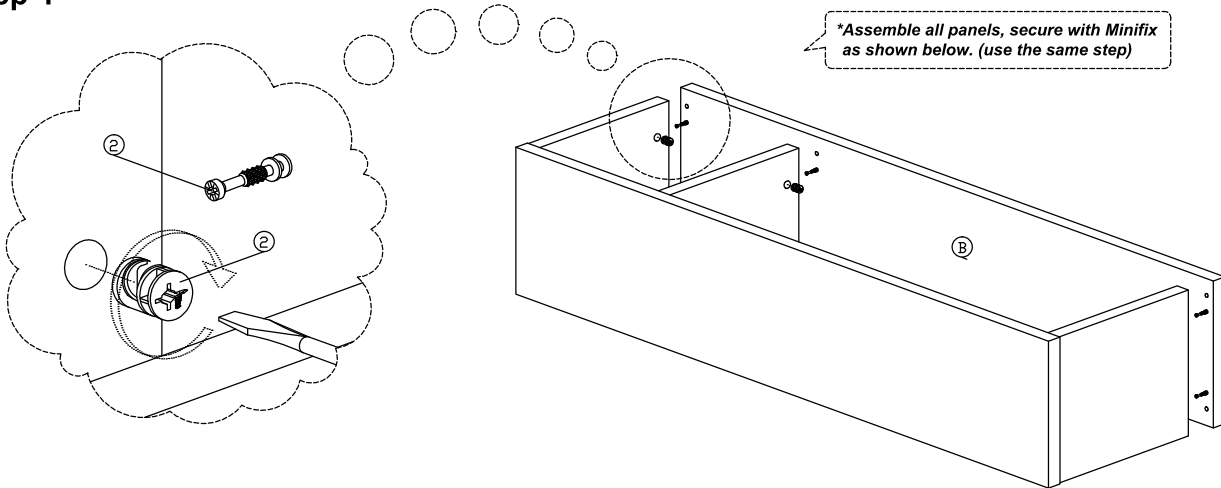


Assembly Instruction

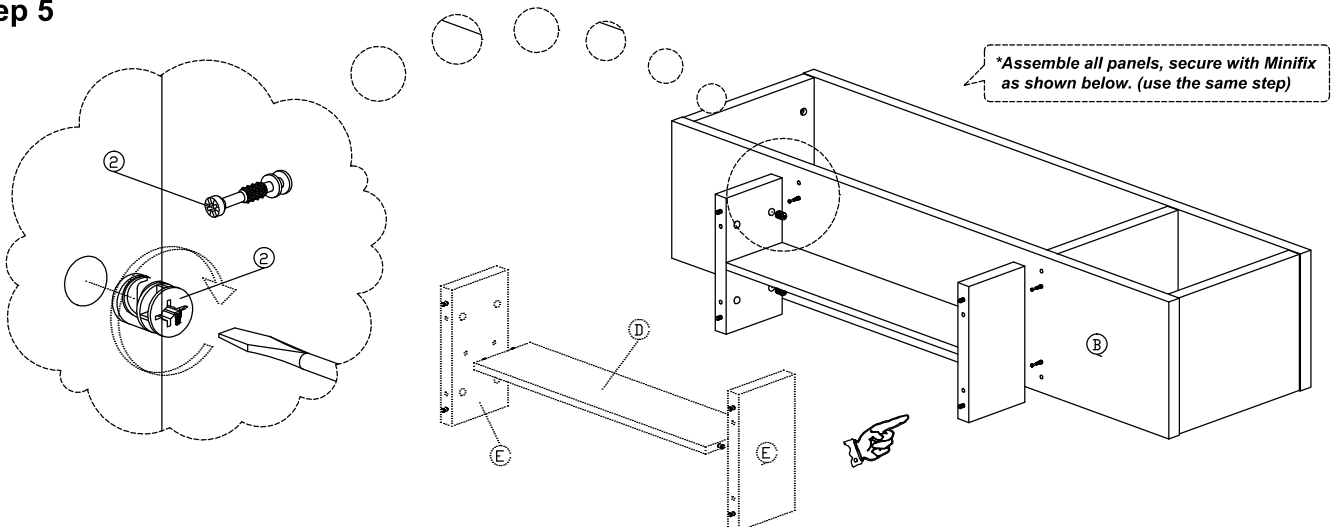
Step 3



Step 4

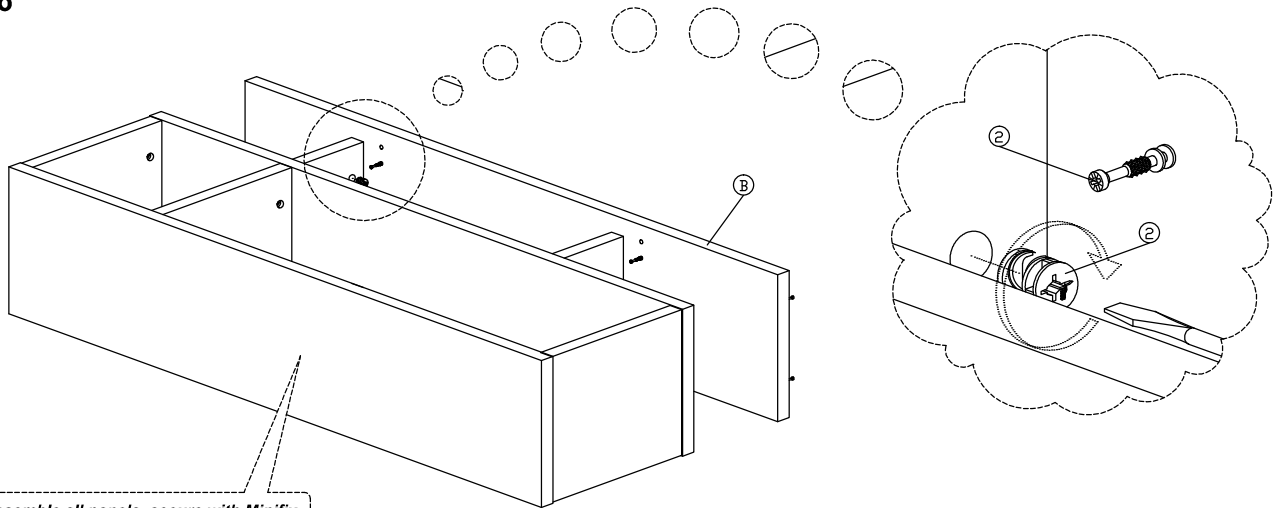


Step 5



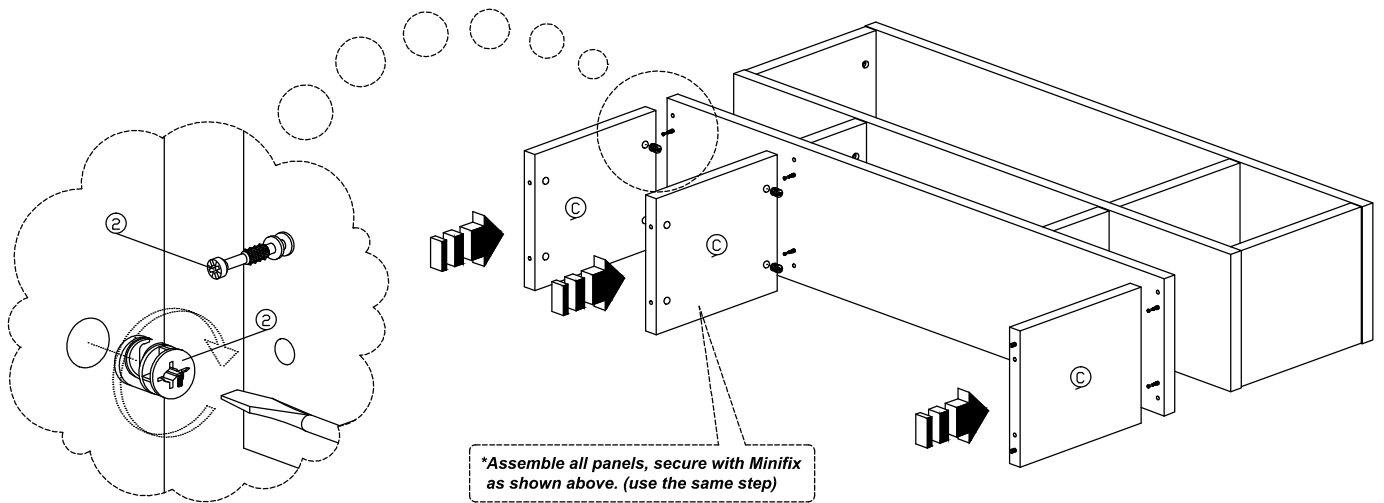
Assembly Instruction

Step 6



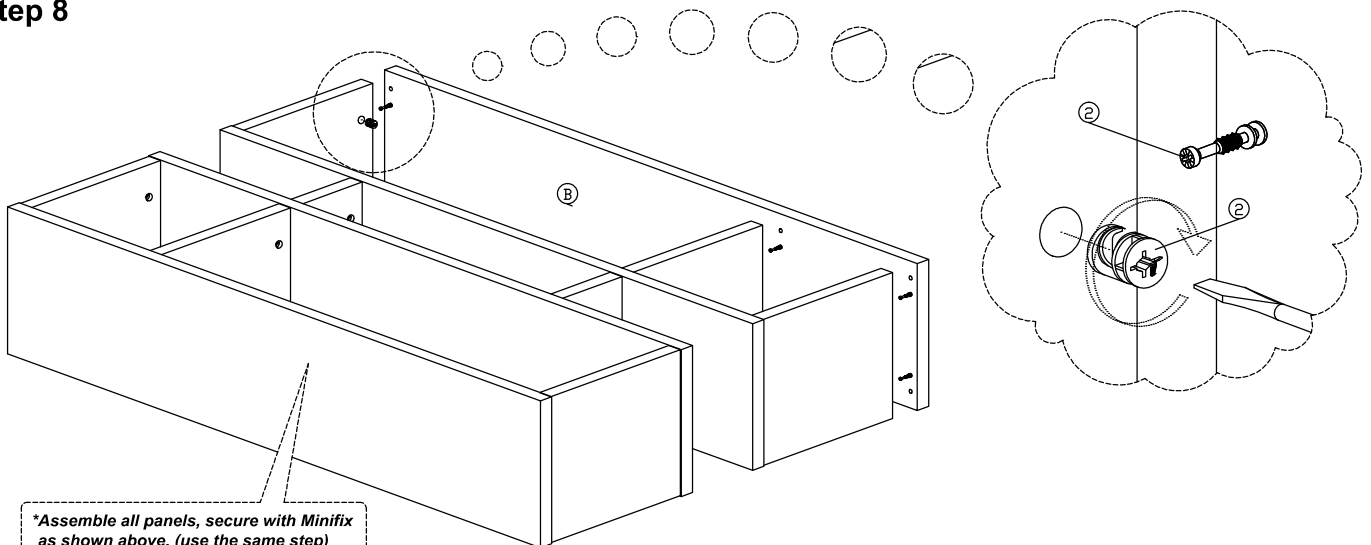
**Assemble all panels, secure with Minifix as shown above. (use the same step)*

Step 7



**Assemble all panels, secure with Minifix as shown above. (use the same step)*

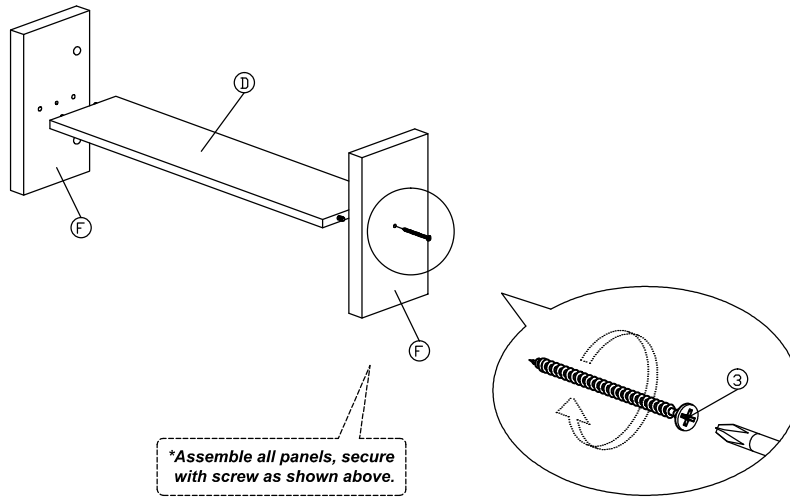
Step 8



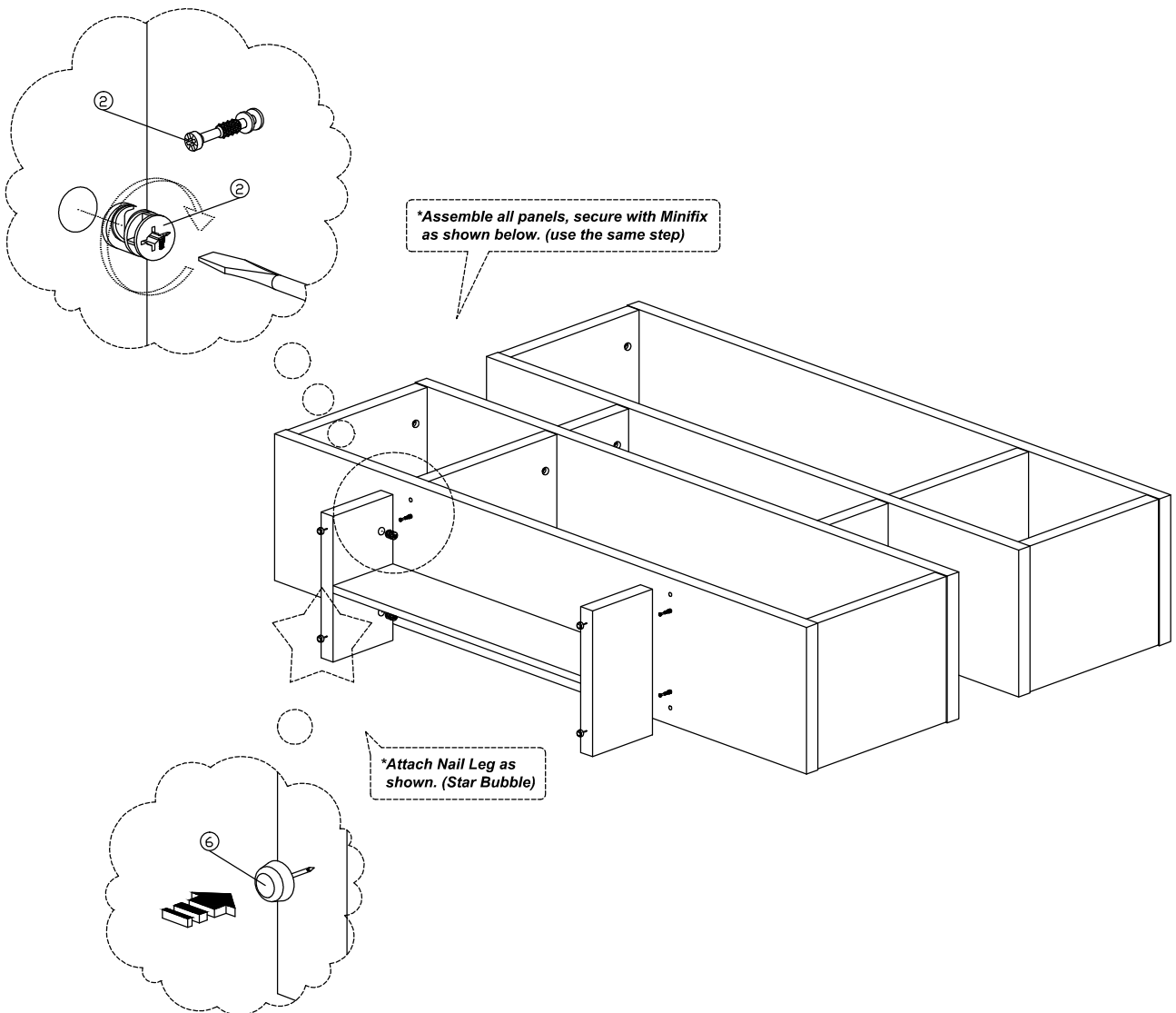
**Assemble all panels, secure with Minifix as shown above. (use the same step)*

Assembly Instruction

Step 9

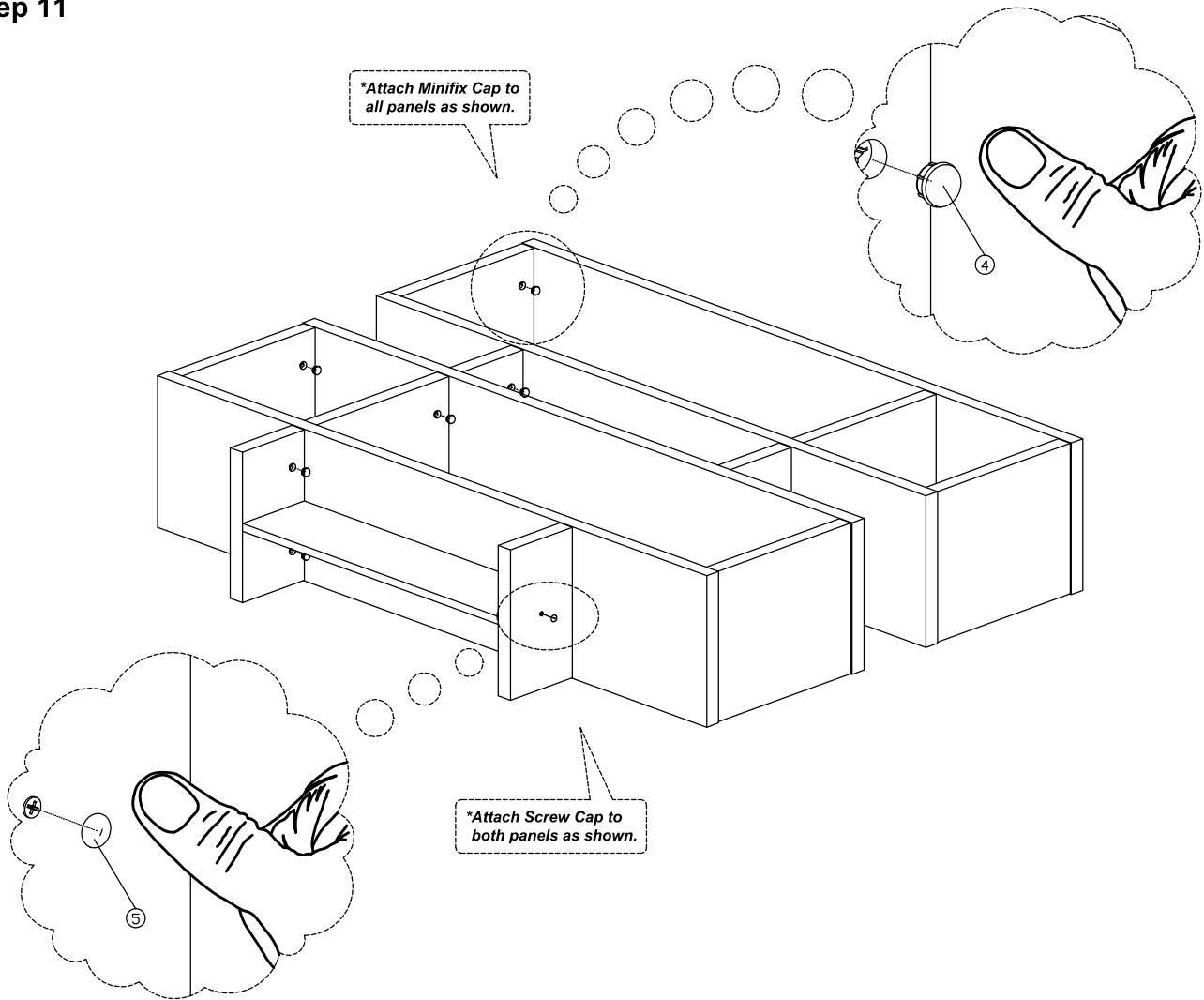


Step 10



Assembly Instruction

Step 11



Complete

