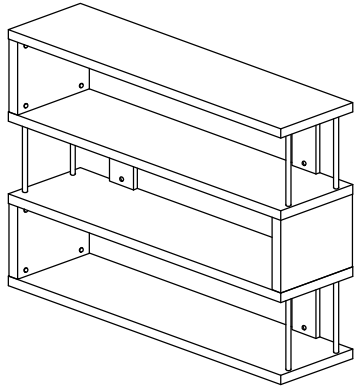


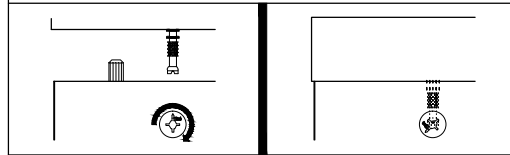
Assembly Instruction

Model : FP - 3D

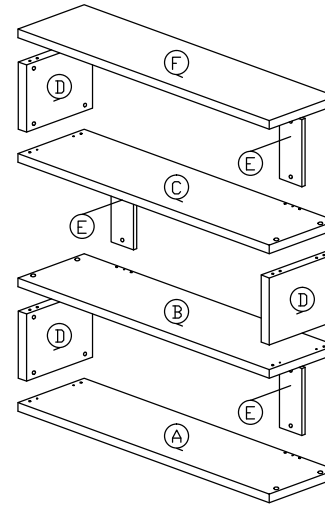


Hardware List			
No.	SHAPE	DESCRIPTION	Qty.
1		8x25mm Wood Dowel	24Pcs
2		15MM Titus Mini Fix	18Sets
3		15mm Minifix Cap	12Pcs
4		15MM Mini Fix Cap	6Pcs
5		Nail Leg	4Pcs
6		Cylinder Pipe (300mm)	6Pcs

Dowel / Cam - Lock Installation

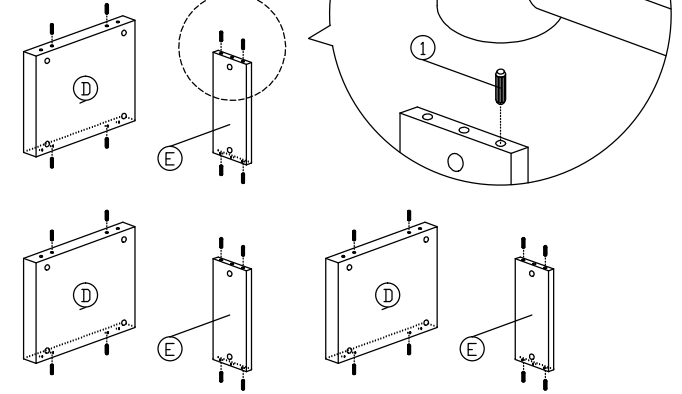


Part List

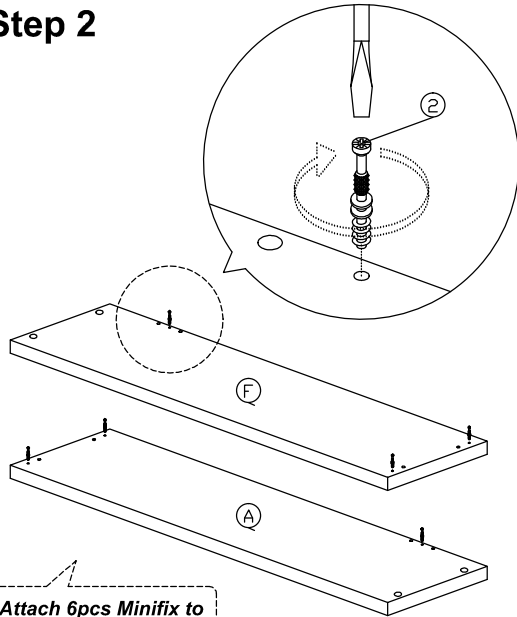


Step 1

*Install 24pcs Wood Dowel into all panels as shown.

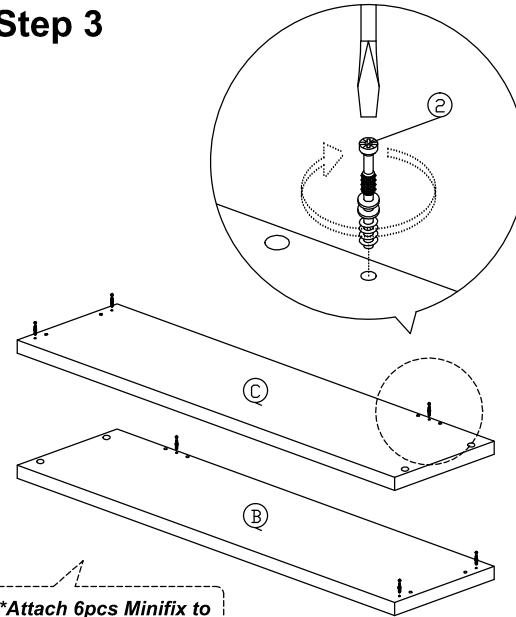


Step 2



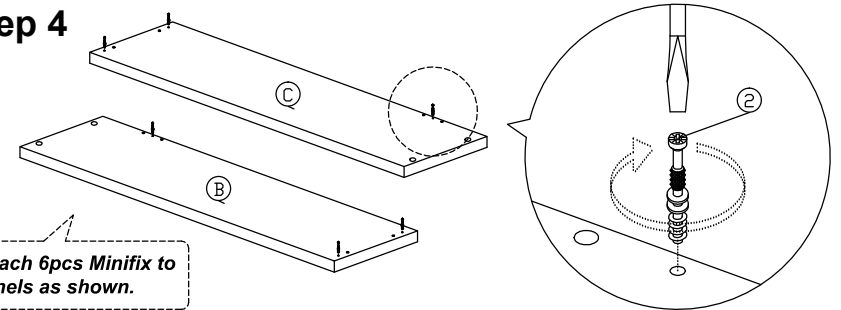
*Attach 6pcs Minifix to panels as shown.

Step 3



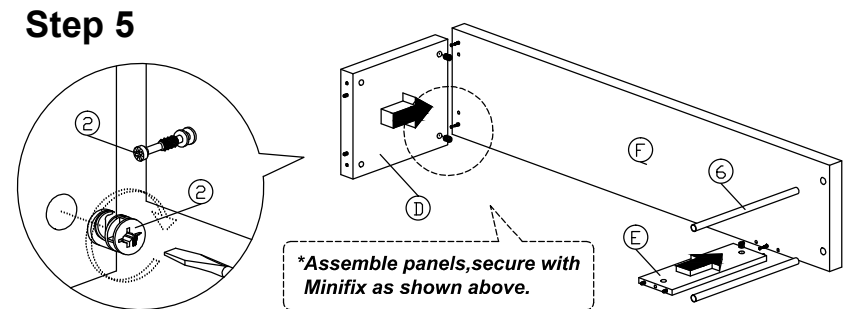
*Attach 6pcs Minifix to panels as shown.

Step 4



*Attach 6pcs Minifix to panels as shown.

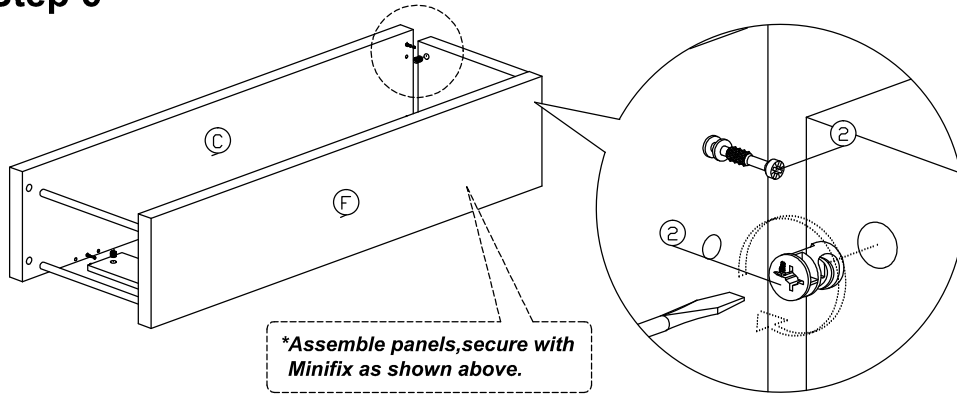
Step 5



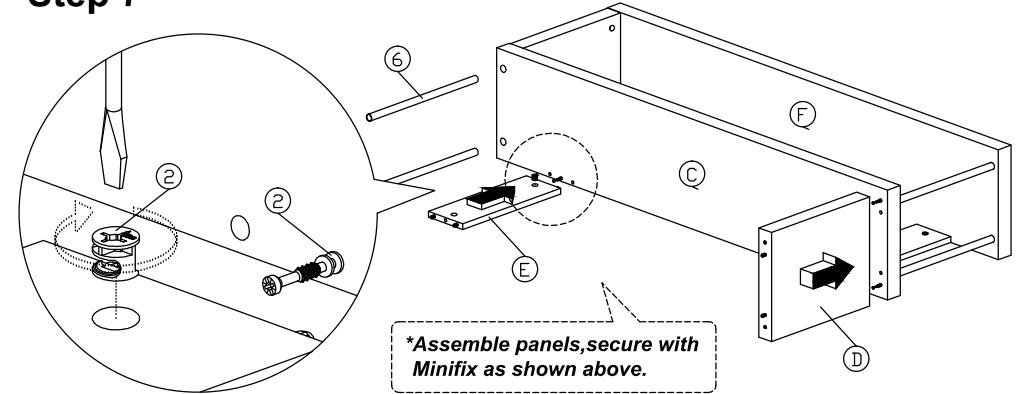
*Assemble panels, secure with Minifix as shown above.

Assembly Instruction

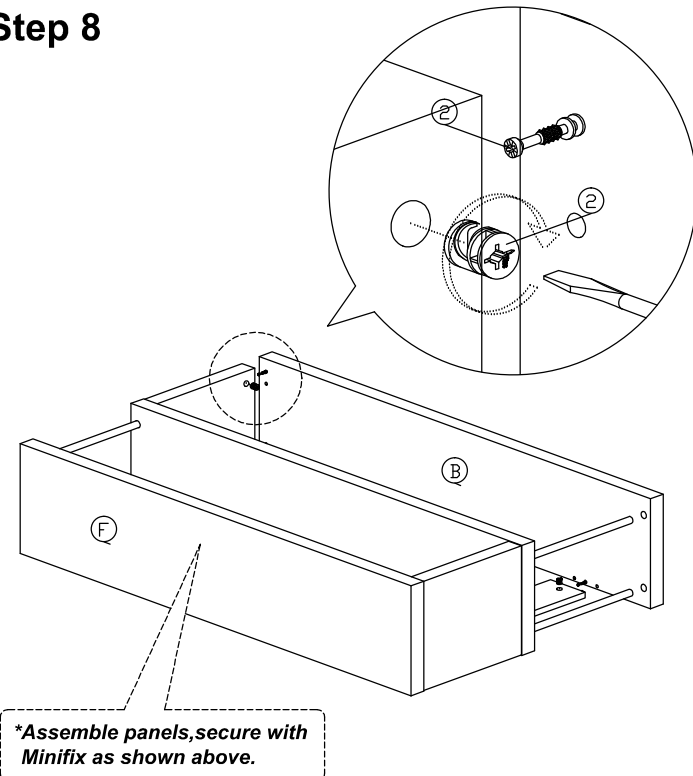
Step 6



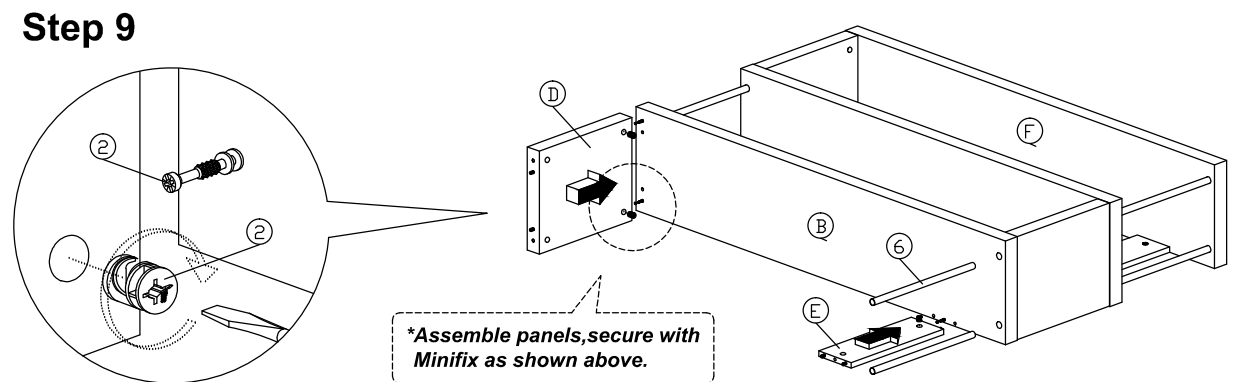
Step 7



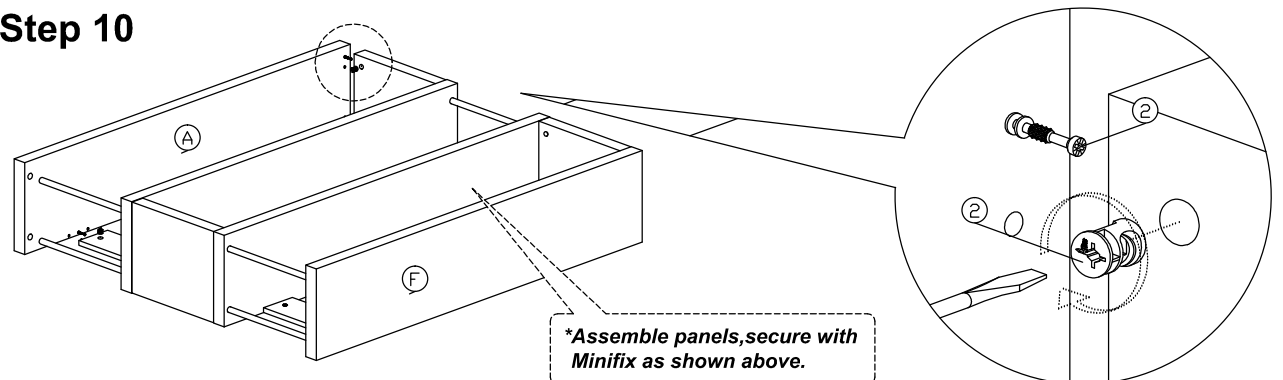
Step 8



Step 9

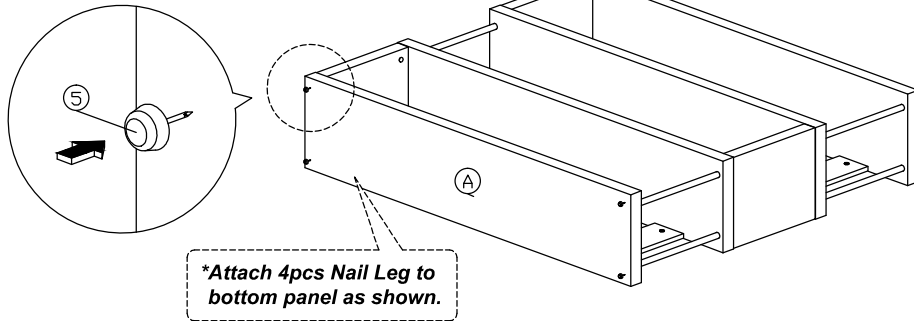


Step 10

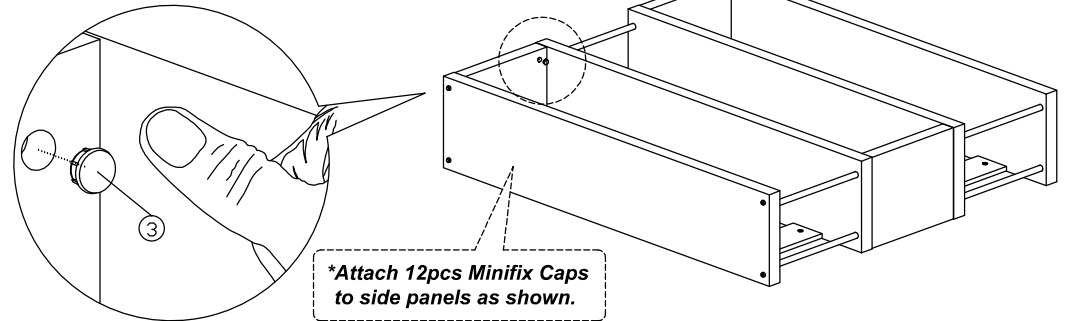


Assembly Instruction

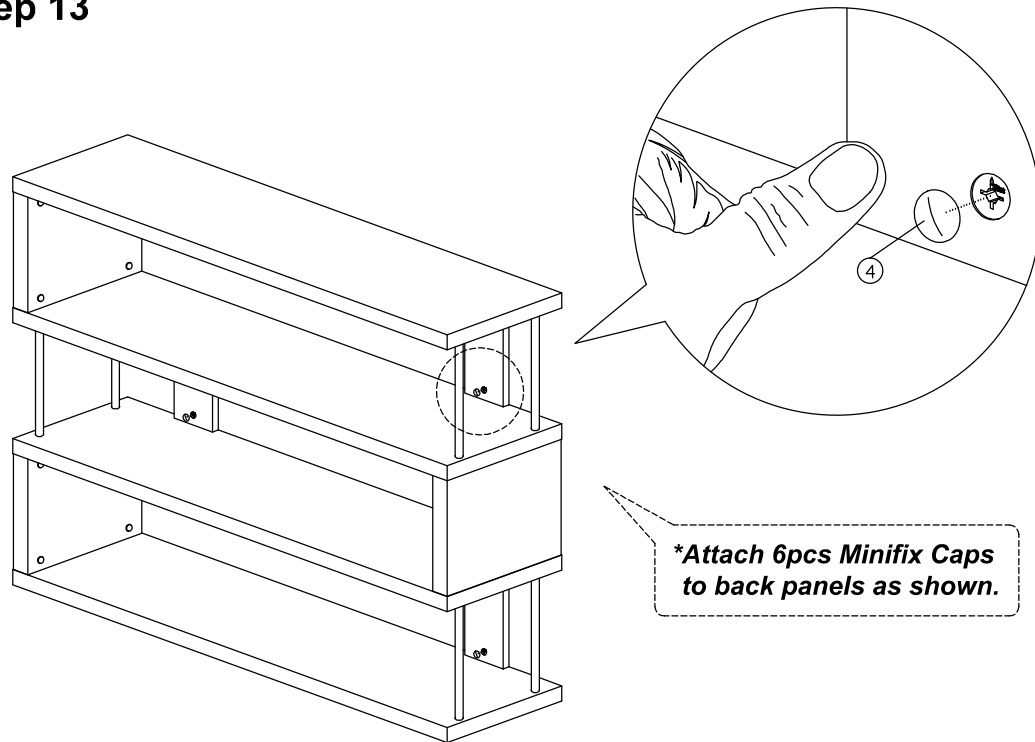
Step 11



Step 12



Step 13



Complete

