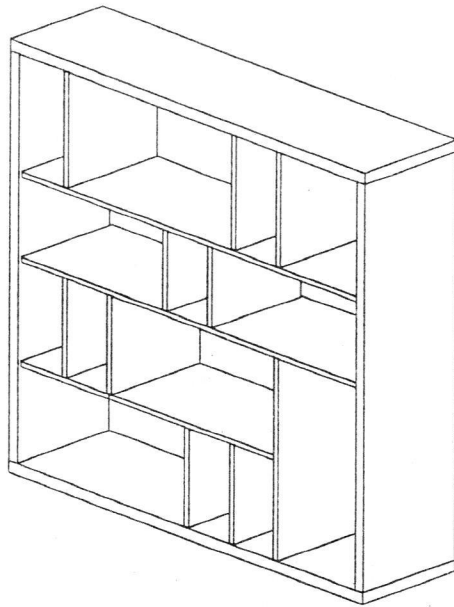


Assembly Instruction

Model : WI5059

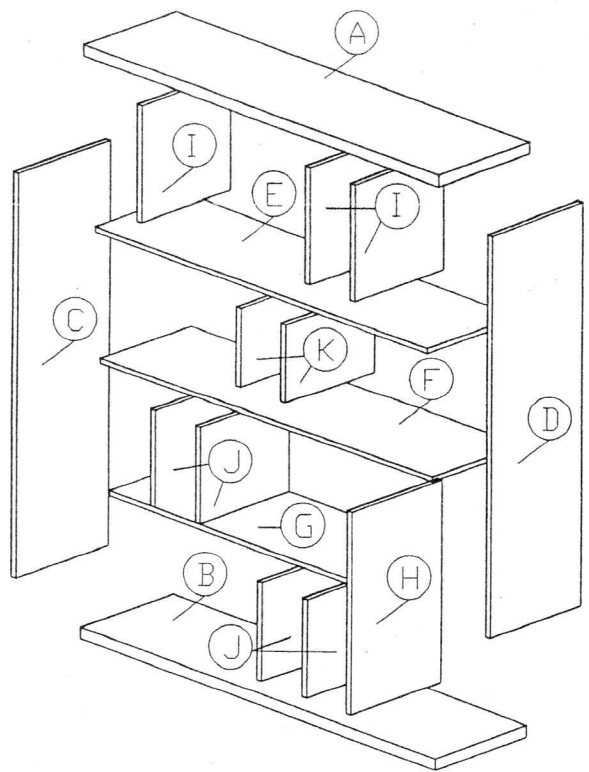
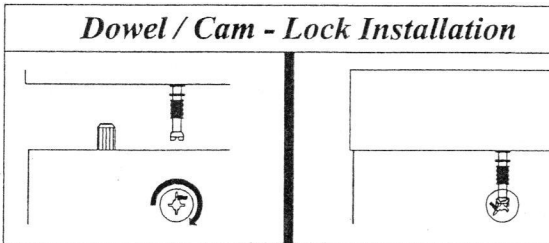


Part List

Hardware List

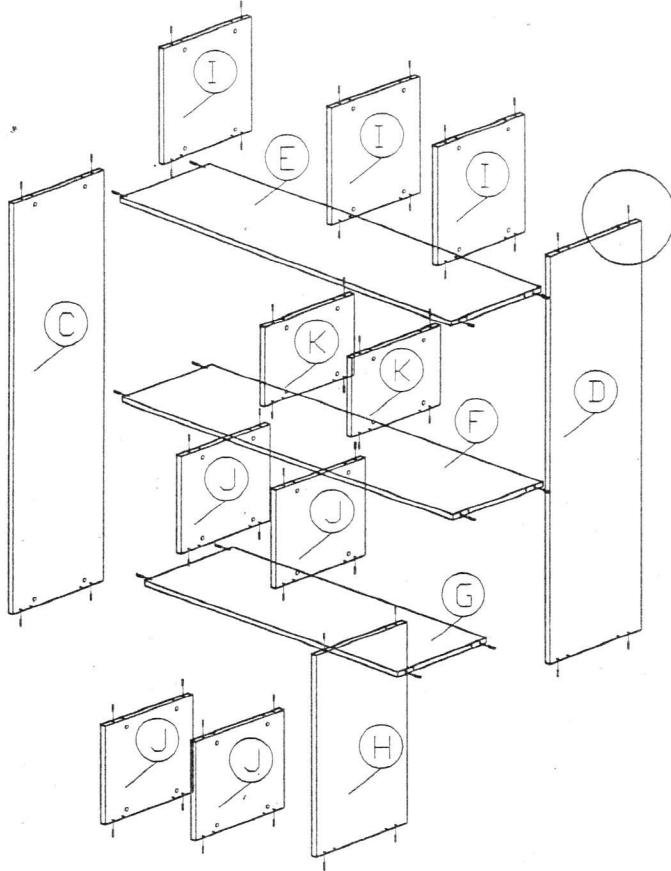
No.	SHAPE	DESCRIPTION	Qty.
1		8x25mm Wood Dowel	60Pcs
2		15MM Titus Minifix	60Sets
3		15mm Minifix Cap(Hole)	8Pcs
4		15mm Minifix Cap	52Pcs
5		Nail Leg	6Pcs

Dowel / Cam - Lock Installation

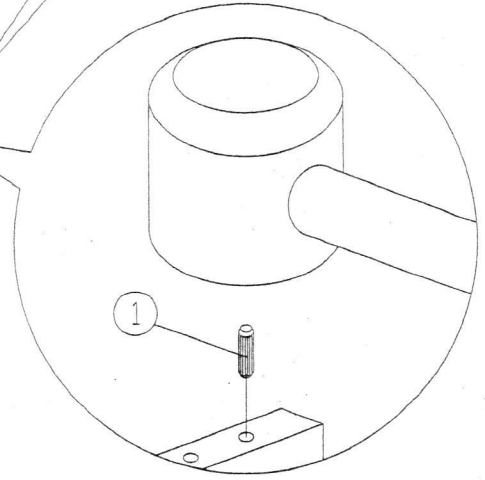


Assembly Instruction

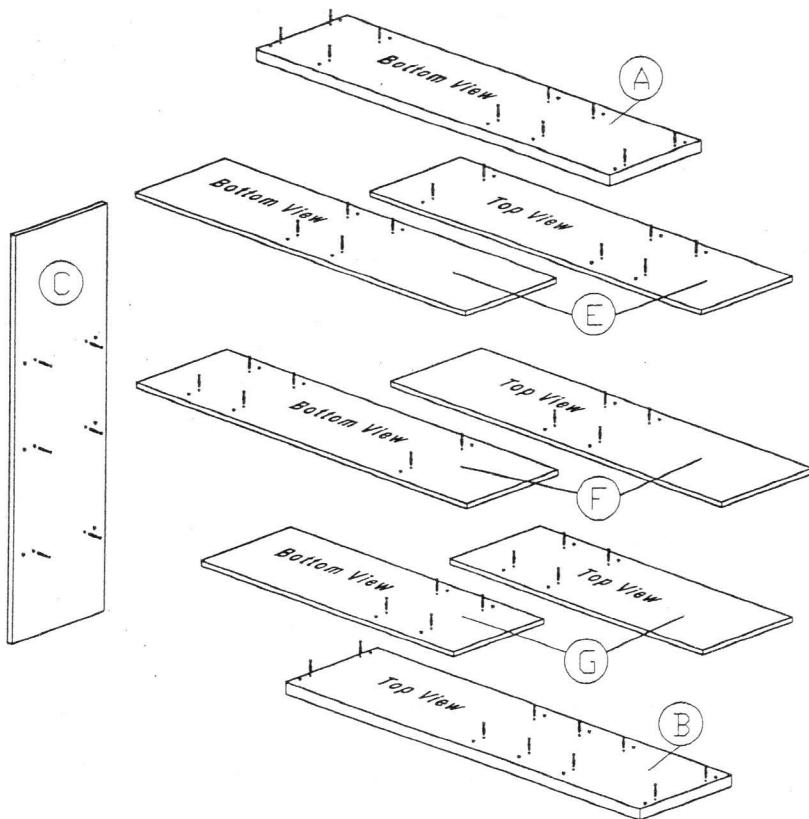
Step 1



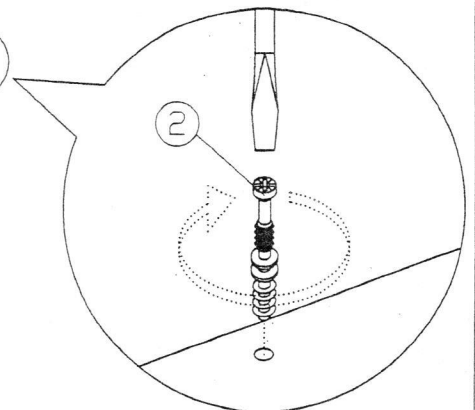
*Install Wood Dowel into all panels as shown.



Step 2

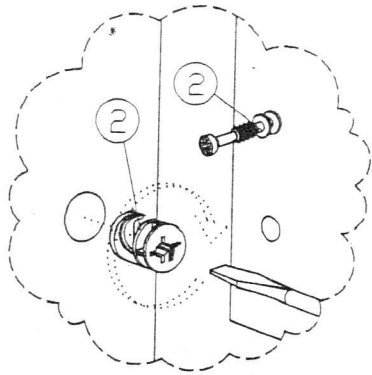


*Install minifix bolt to all panels as shown below.

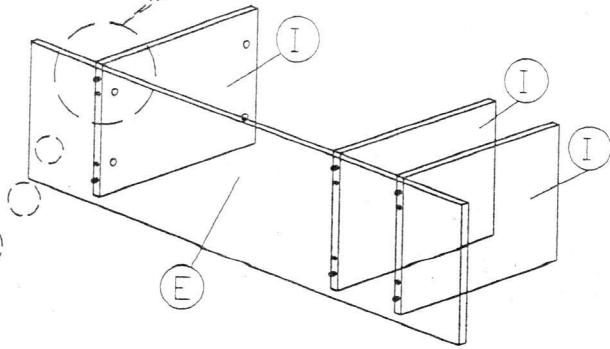


Assembly Instruction

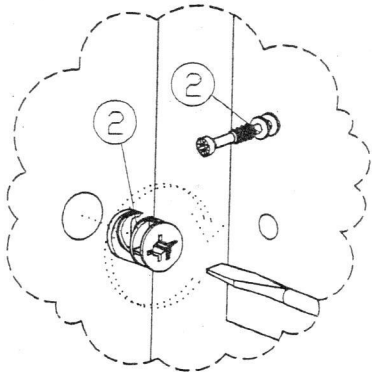
Step 3



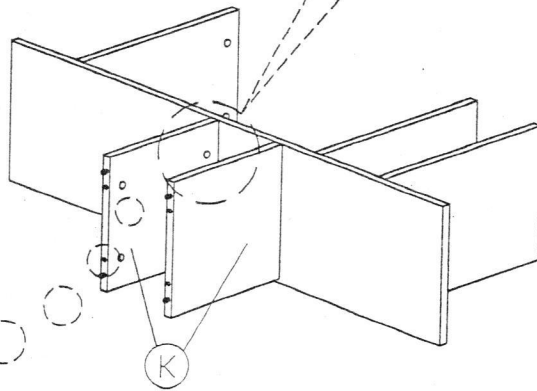
*Assemble all panels, secure with Minifix as shown below. (use the same step)



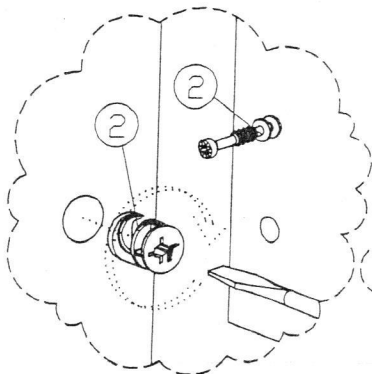
Step 4



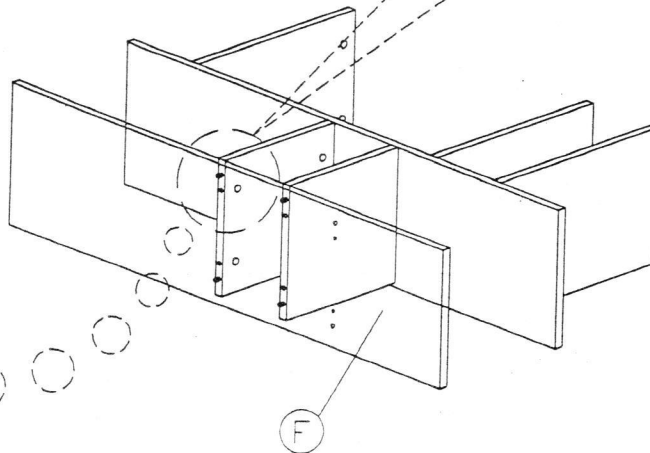
*Assemble all panels, secure with Minifix as shown below. (use the same step)



Step 5

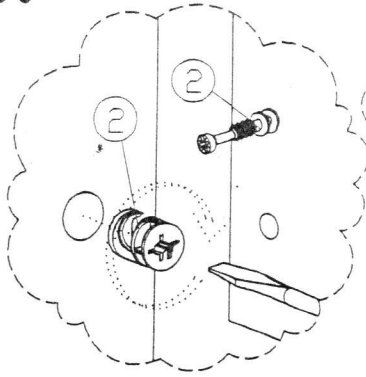


*Assemble all panels, secure with Minifix as shown below. (use the same step)

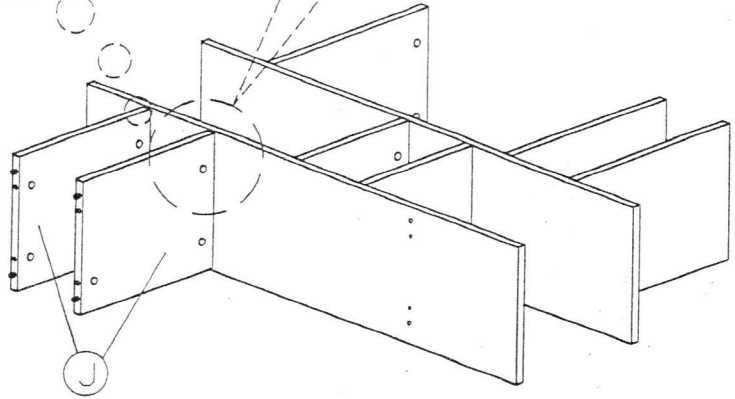


Assembly Instruction

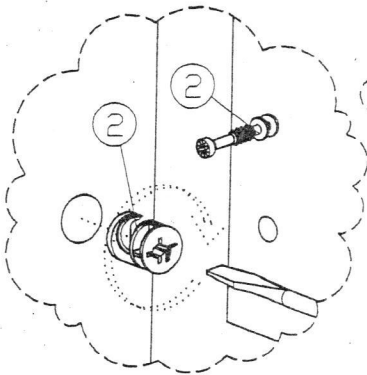
Step 6



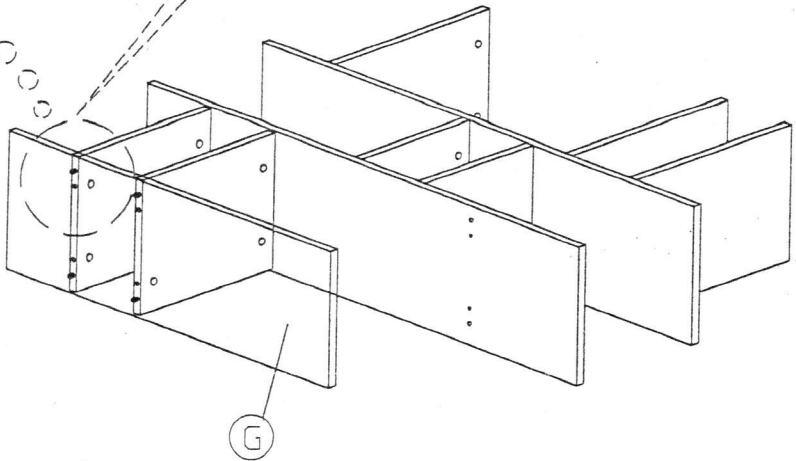
**Assemble all panels, secure with Minifix as shown below. (use the same step)*



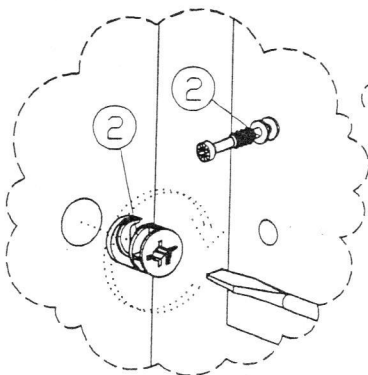
Step 7



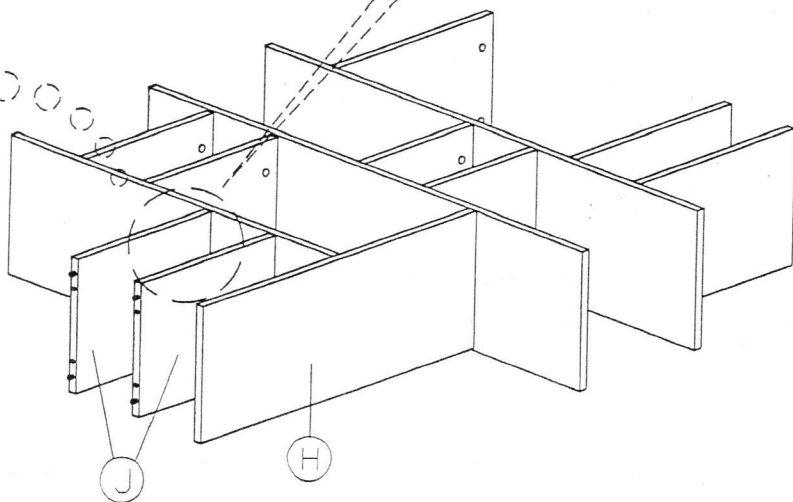
**Assemble all panels, secure with Minifix as shown below. (use the same step)*



Step 8

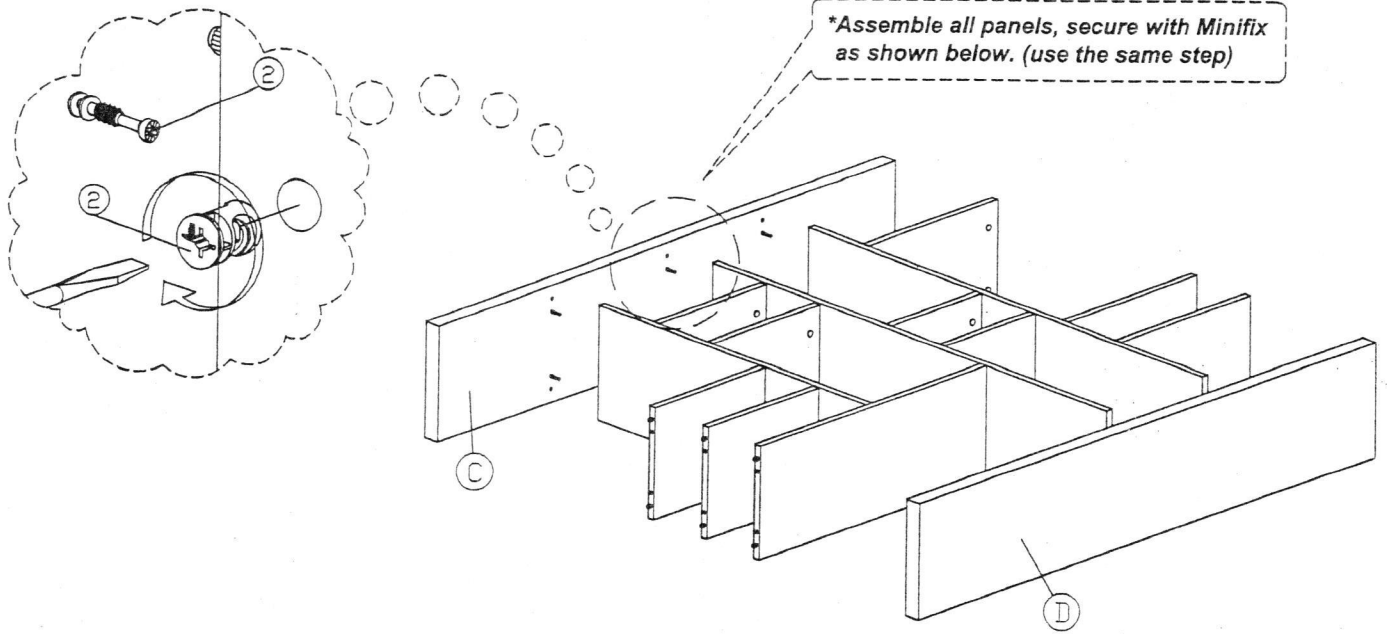


**Assemble all panels, secure with Minifix as shown below. (use the same step)*

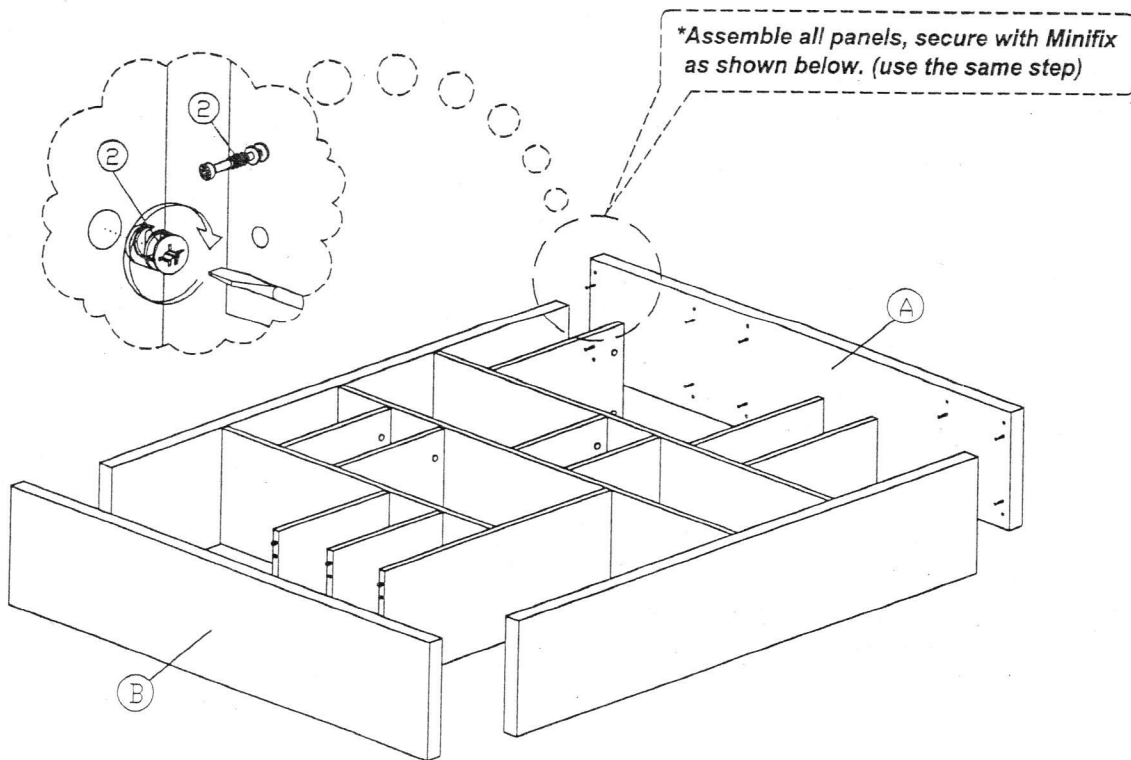


Assembly Instruction

Step 9

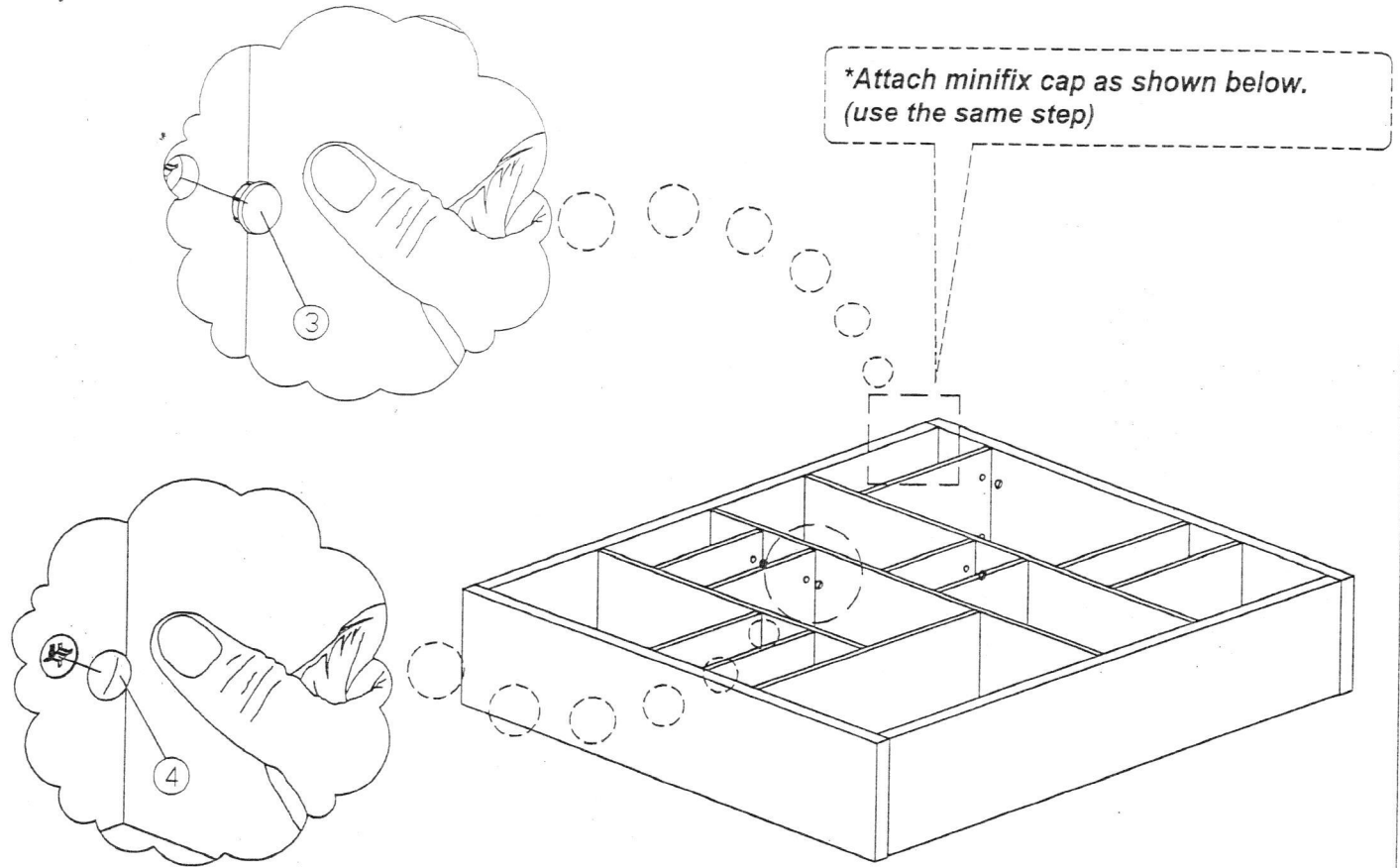


Step 10



Assembly Instruction

Step 9



Step 10

