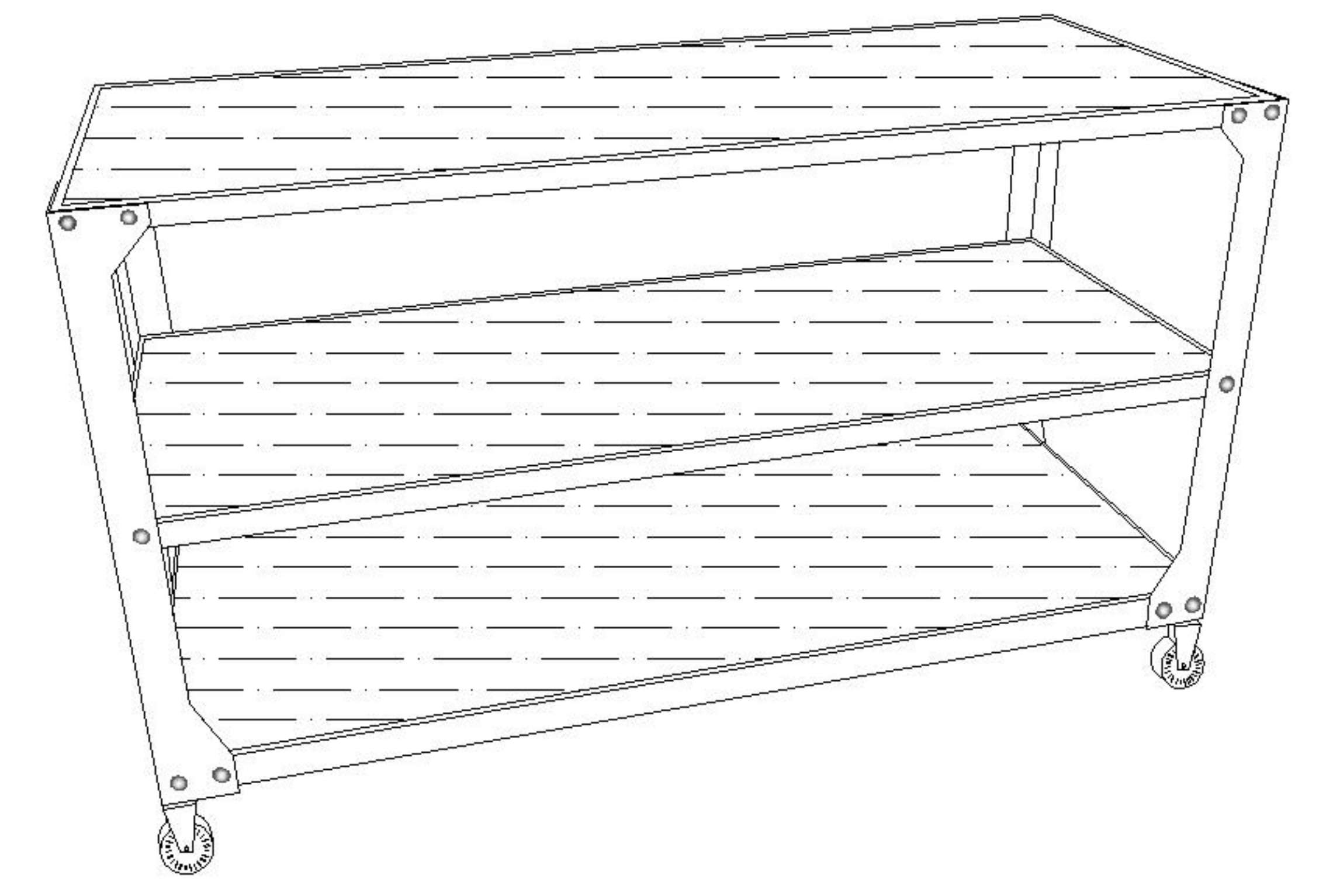
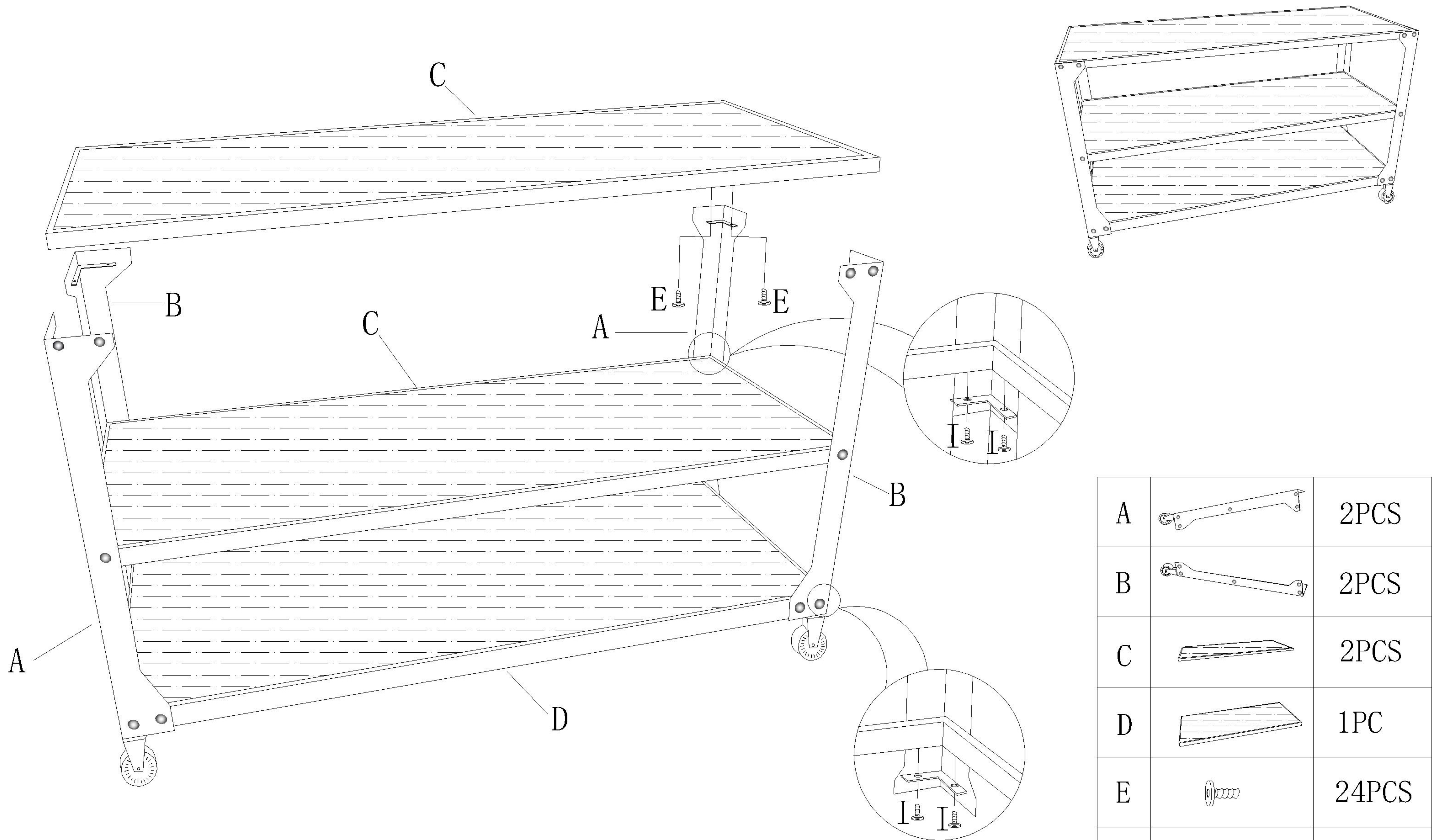


Assembly Instructions



A		2PCS
B		2PCS
C		2PCS
D		1PC
E		24PCS
F		1PC