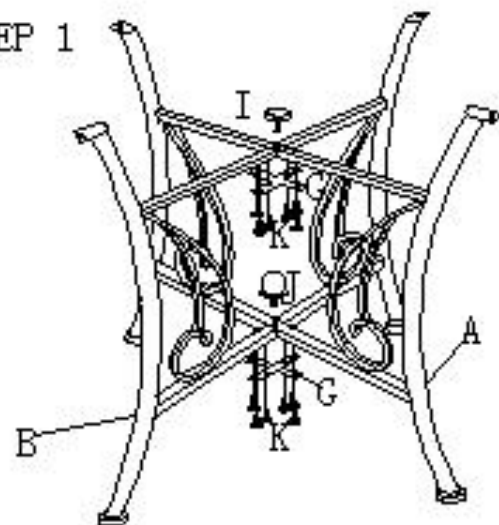
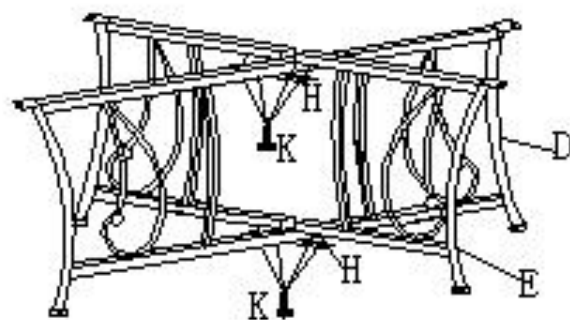


ASSEMBLY INSTRUCTIONS

STEP 1



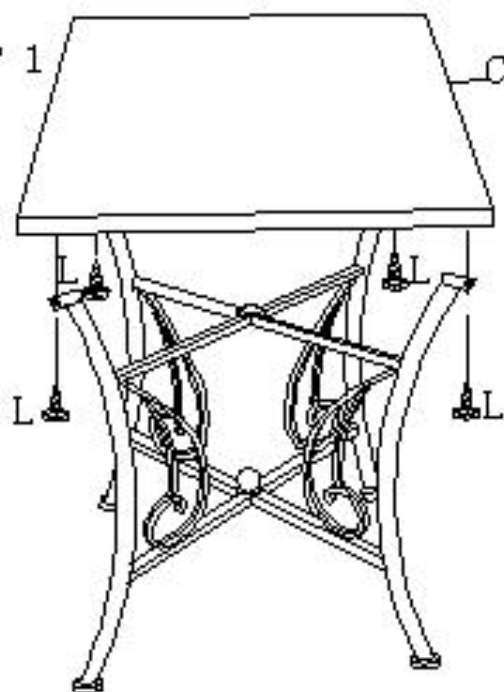
STEP 1



HARDWARE LIST

A		2PCS
B		4PCS
C		2PCS
D		1PC
E		2PCS
F		1PC
G		4PCS
H		2PCS
I		3PCS
J		3PCS
K		36PCS
L		12PCS
M		1PC

STEP 1



STEP 1

