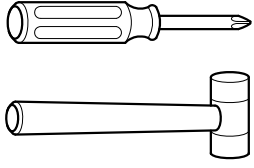
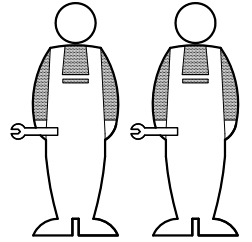


ASSEMBLY INSTRUCTIONS

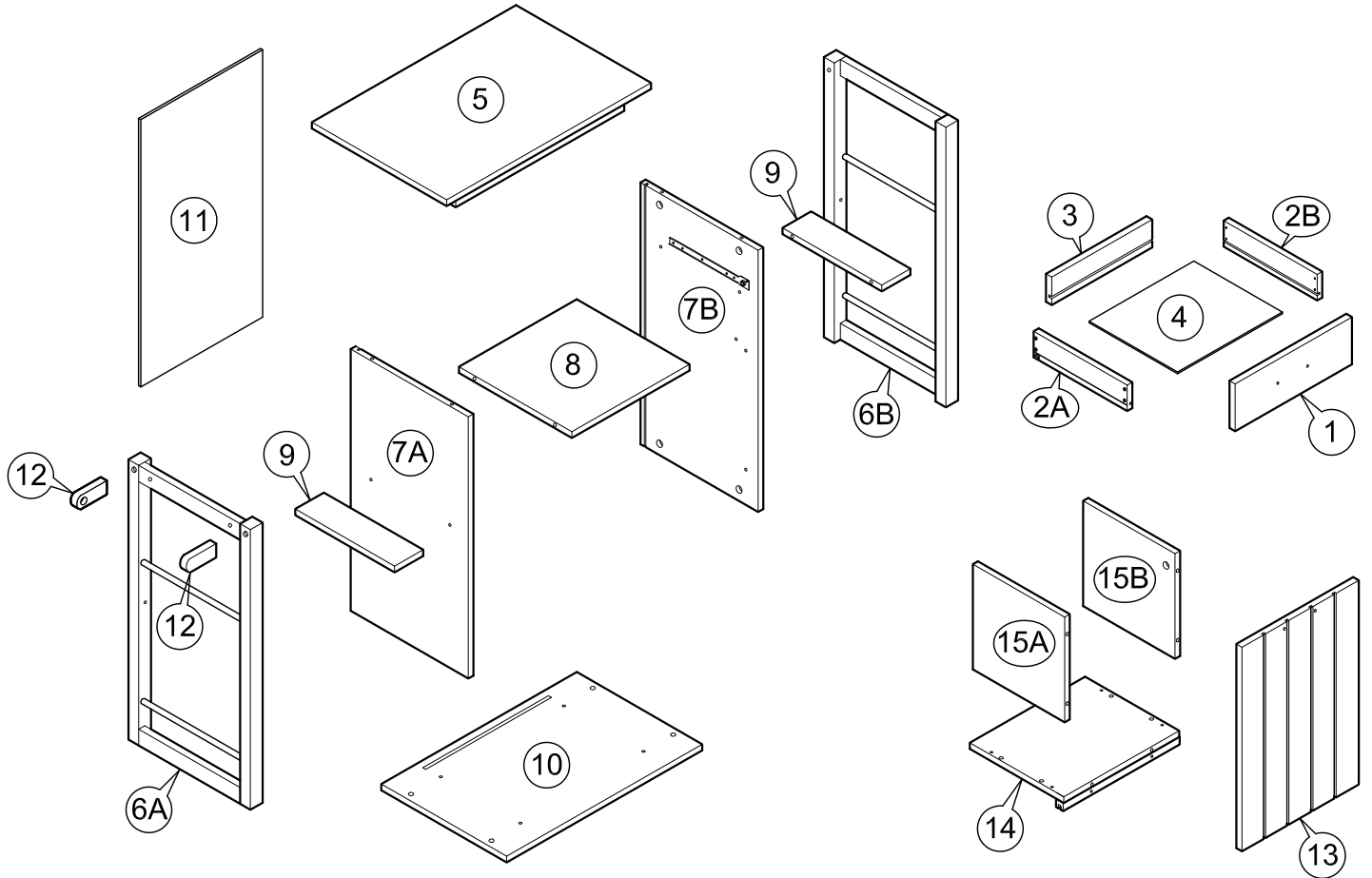
Item : Yonkers Kitchen Cart





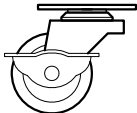
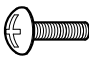
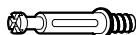

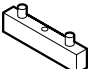
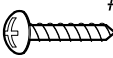
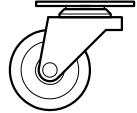






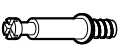
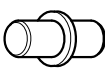
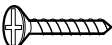
Not Provided

2 Persons

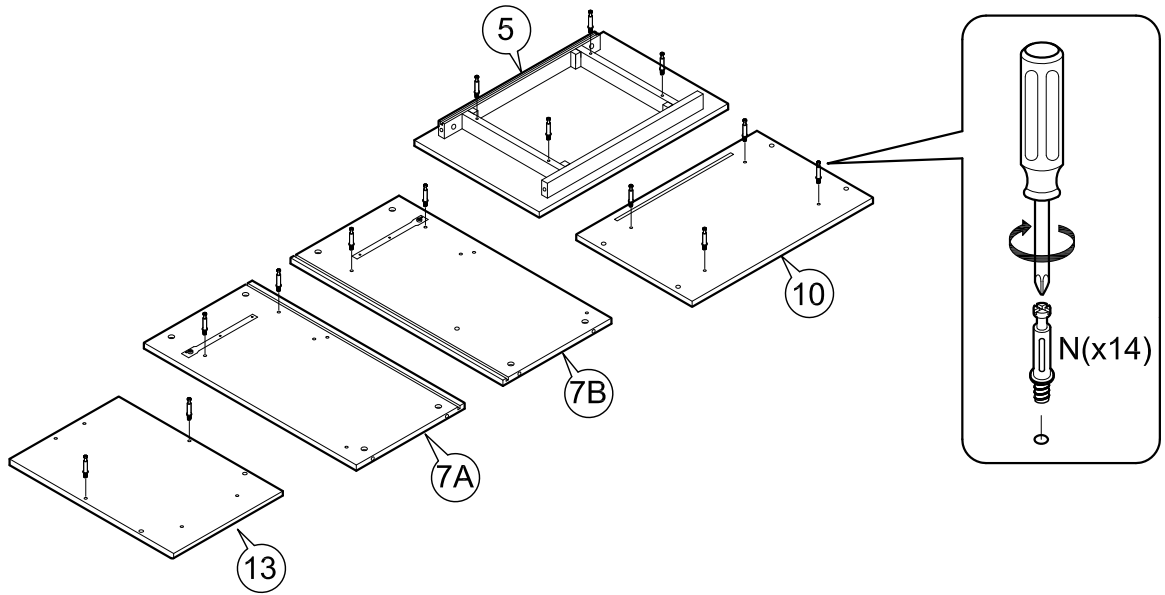
Part List



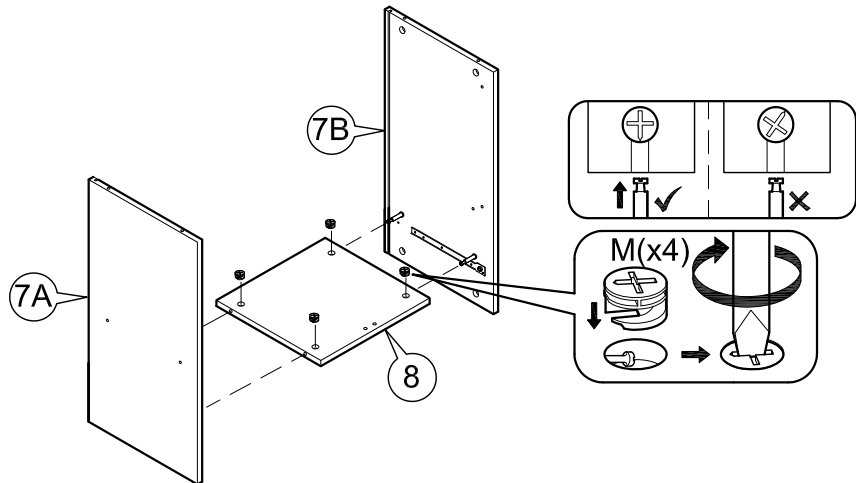
Hardware List

A	M6 x40mm = 6	G	 = 2	M	 12mm = 18	S	 50mm = 2
B	M6 x70mm = 4	H	 20mm = 4	N	 34mm = 18		
C	 1/4" = 4	I	 = 3	O	 #8x 1 1/4" = 12	T	 50mm = 2
D	 1/4" = 4	J	M3 x16mm(Black) = 3	P	 14.5Ø = 4		
E	 M6 x13mm = 4	K	M3.5 x16mm = 16	Q	 254 x 19Ømm = 1	U	 M8 x30mm = 8
F	 = 1	L	 24mm = 2	R	 = 4	V	 M4 x 25mm = 2

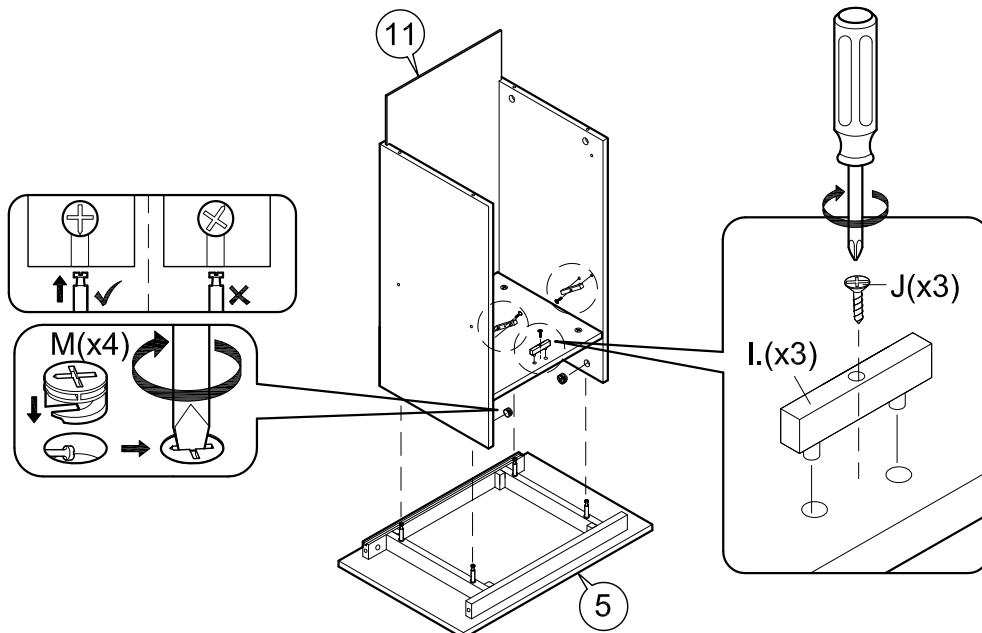
1



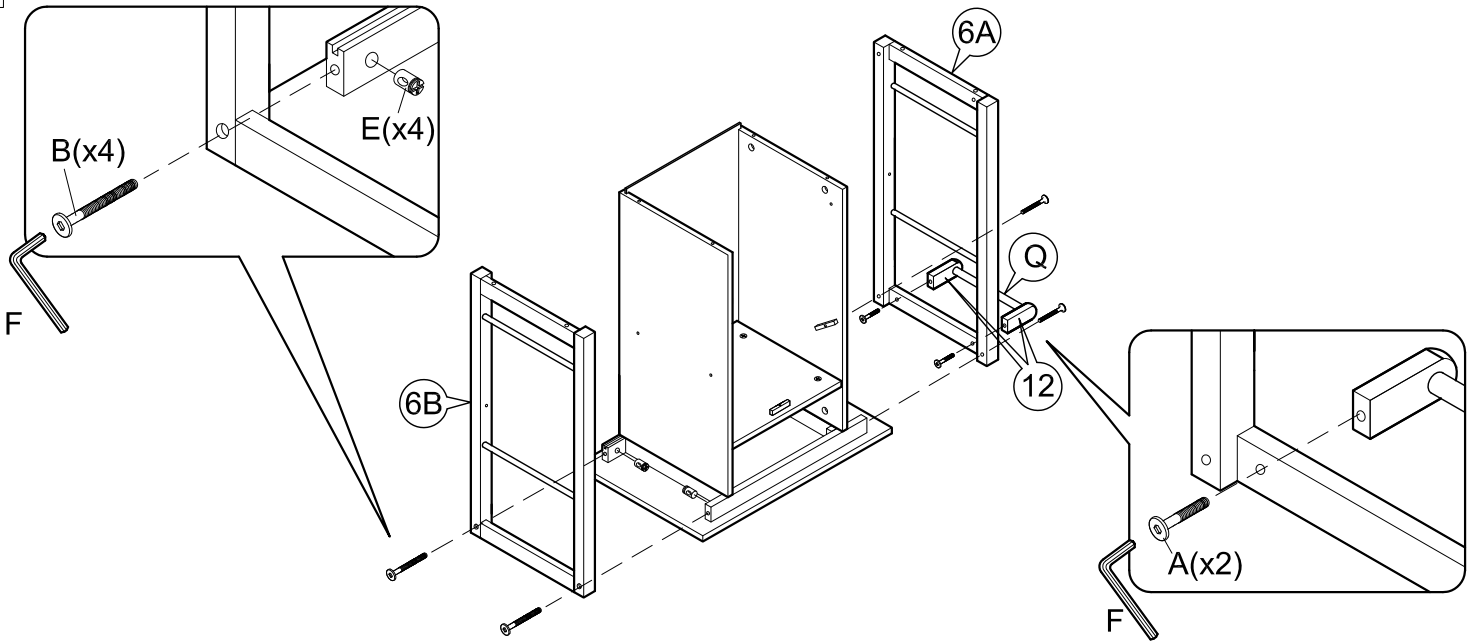
2



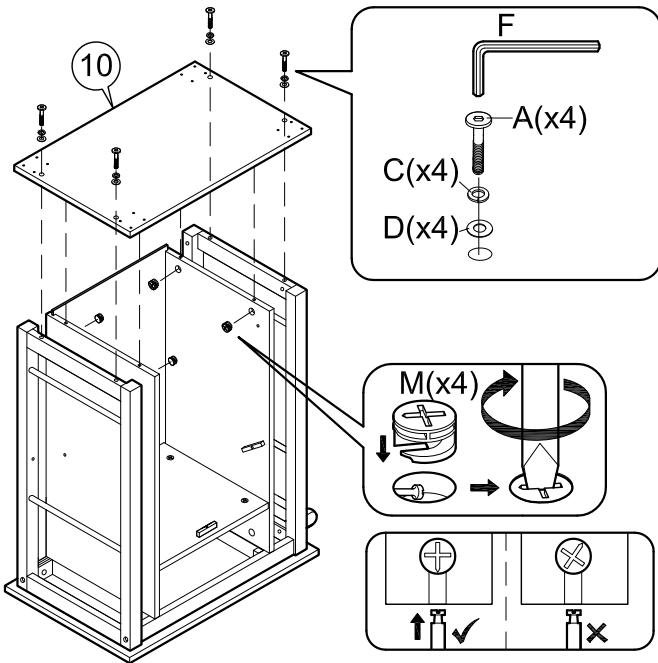
3



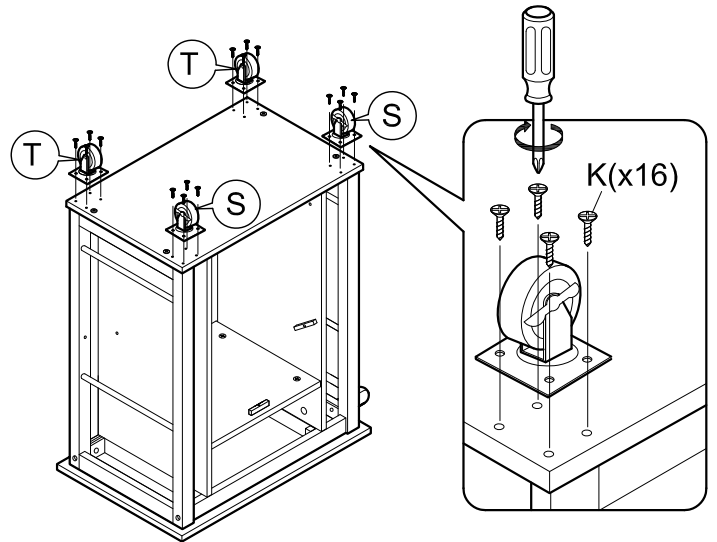
4



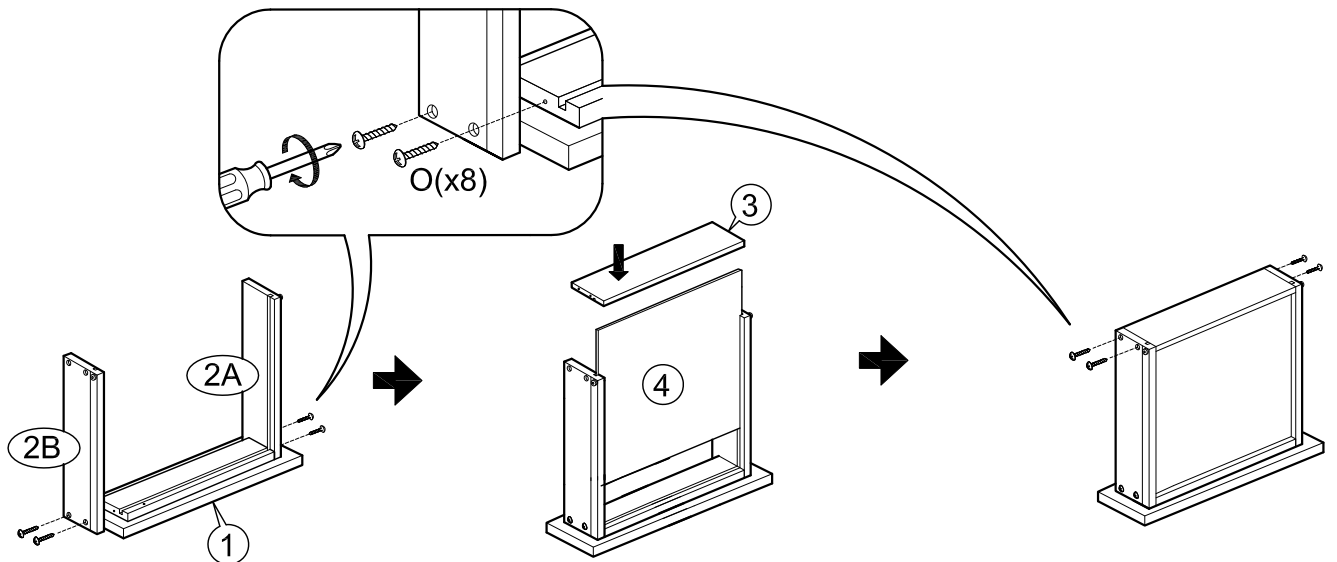
5



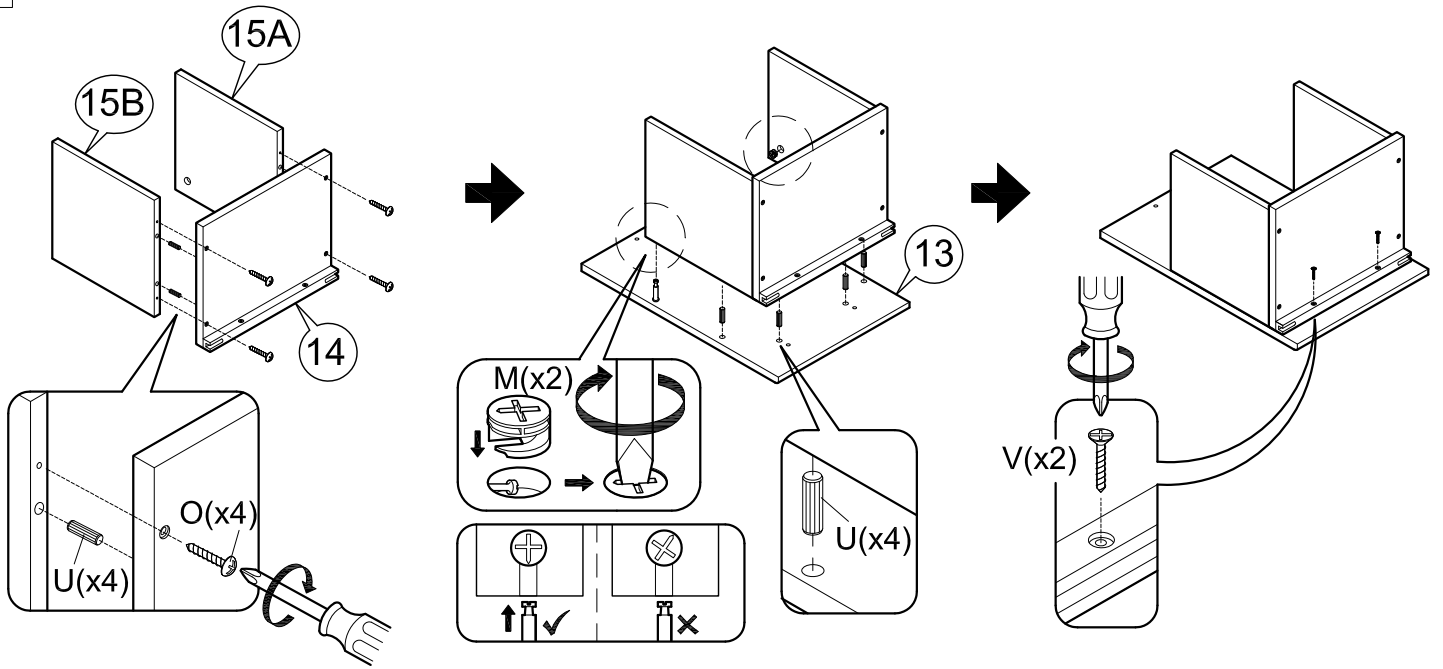
6



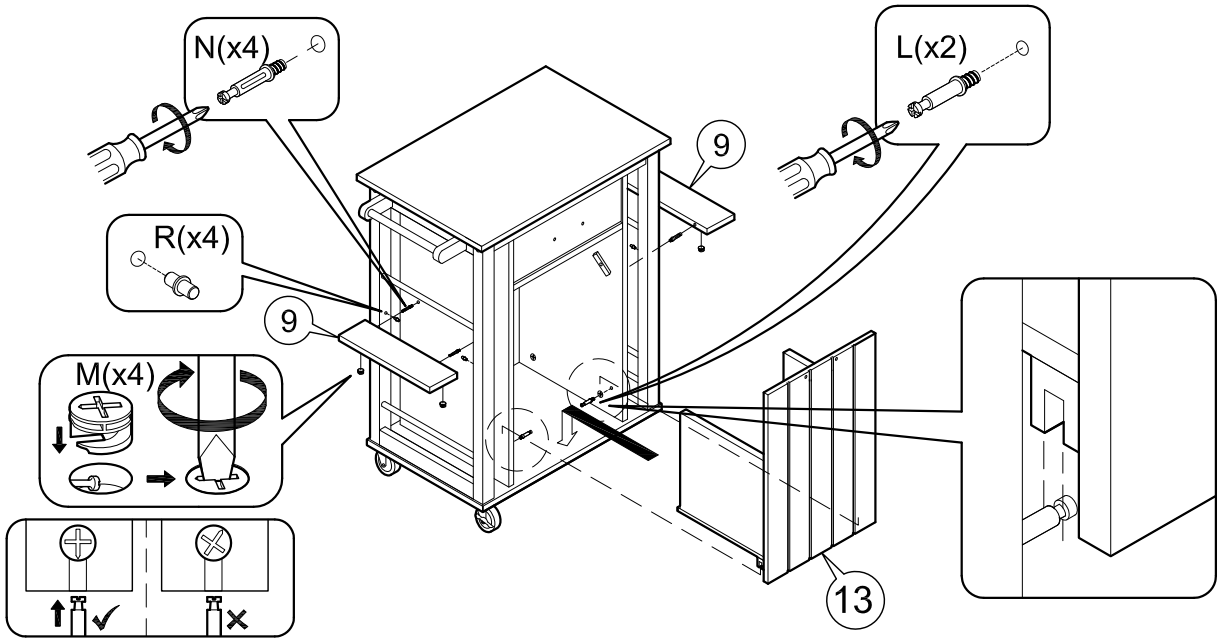
7



8



9



10

