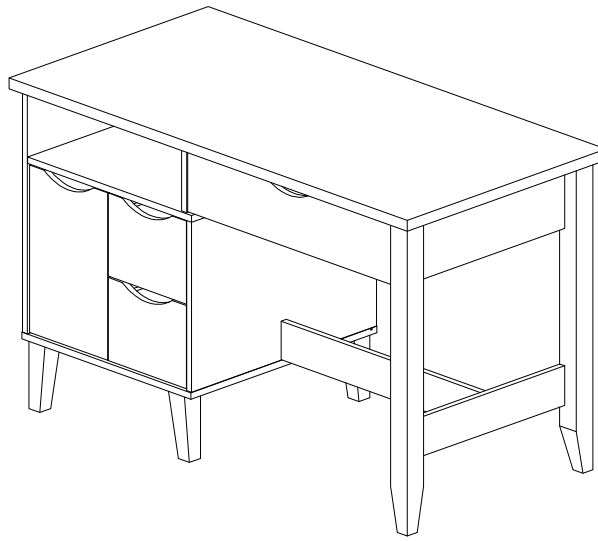
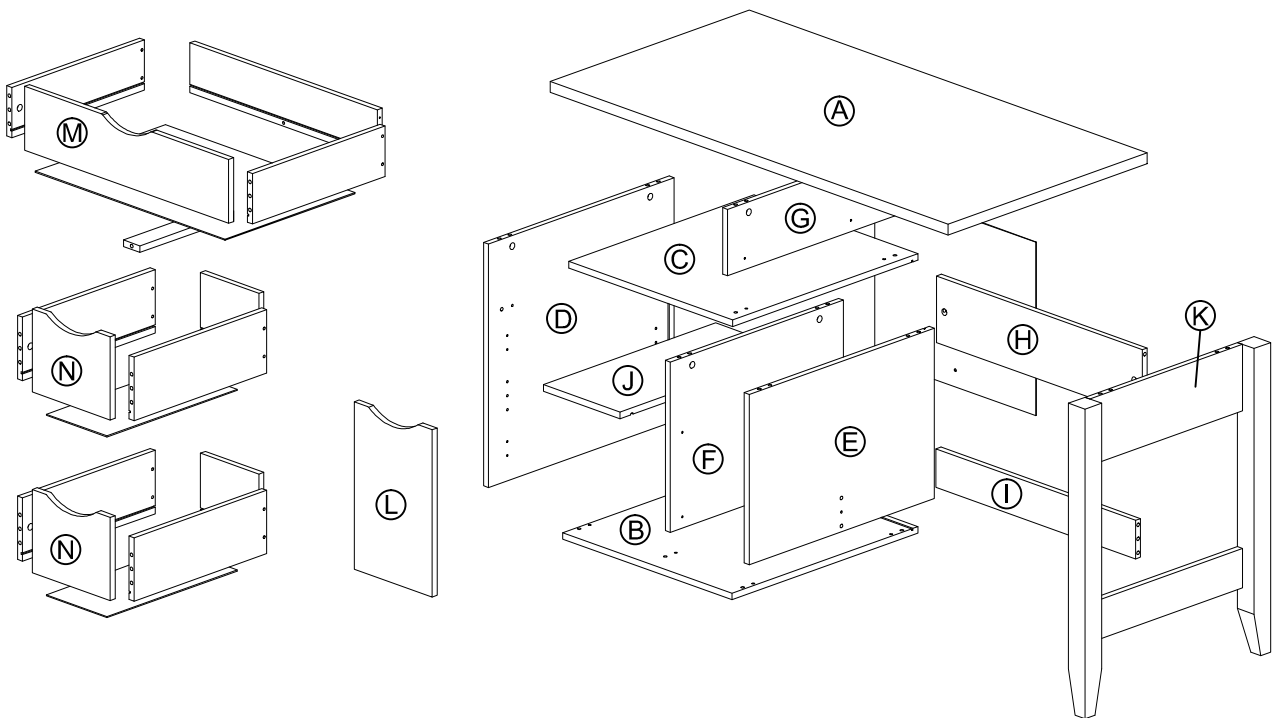


# Assembly Instruction

Model : WI6471


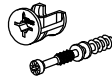
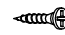



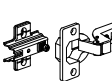


## Part List



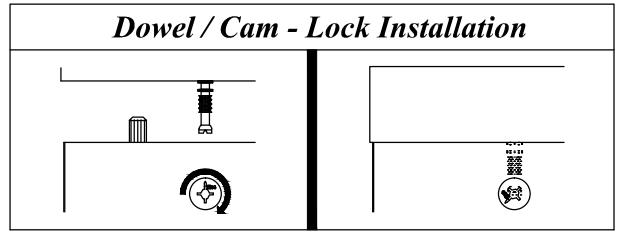
# Assembly Instruction

## Hardware List

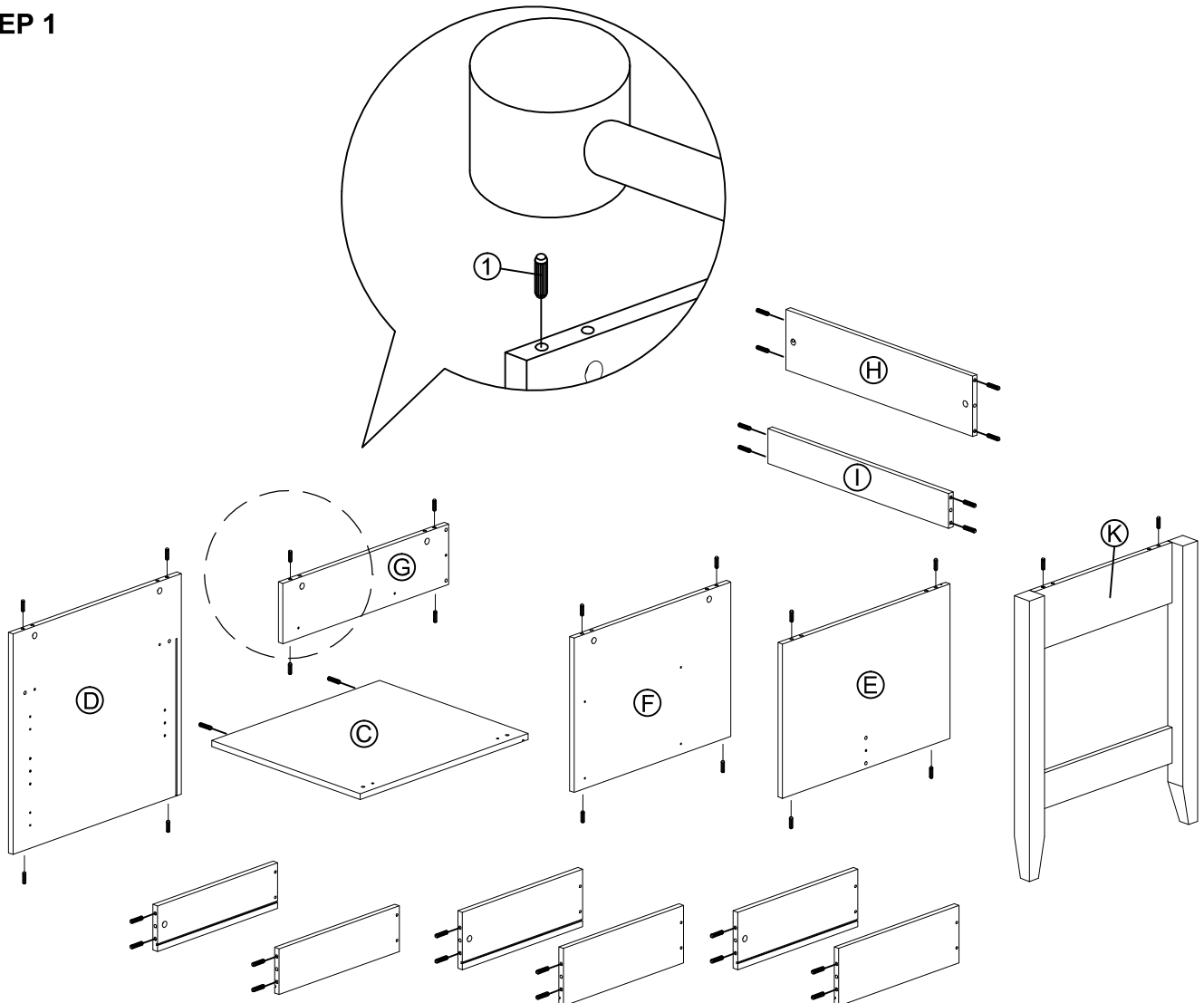
No.	SHAPE	DESCRIPTION	Qty.
1		<b>8x25mm Wood Dowel</b>	40Pcs
2		<b>15MM Titus Mini Fix</b>	23Sets
3		<b>M3.5x15mm Screw</b>	31Pcs
4		<b>TP 10#x1/2" Screw</b>	8Pcs
5		<b>M4x38mm Screw</b>	21Pcs
6		<b>Shelf Support</b>	4Pcs
7		<b>Hinges (F010)</b>	2Sets

8		<b>Drawer Slide 400mm</b>	3Sets
9		<b>M5x8mm Screw (Euro Screw)</b>	12Pcs
10		<b>Plastic Leg 140mm</b>	4Pcs
11		<b>Nail Leg</b>	2Pcs
12		<b>Minifix Cap</b>	10Pcs

## Dowel / Cam - Lock Installation

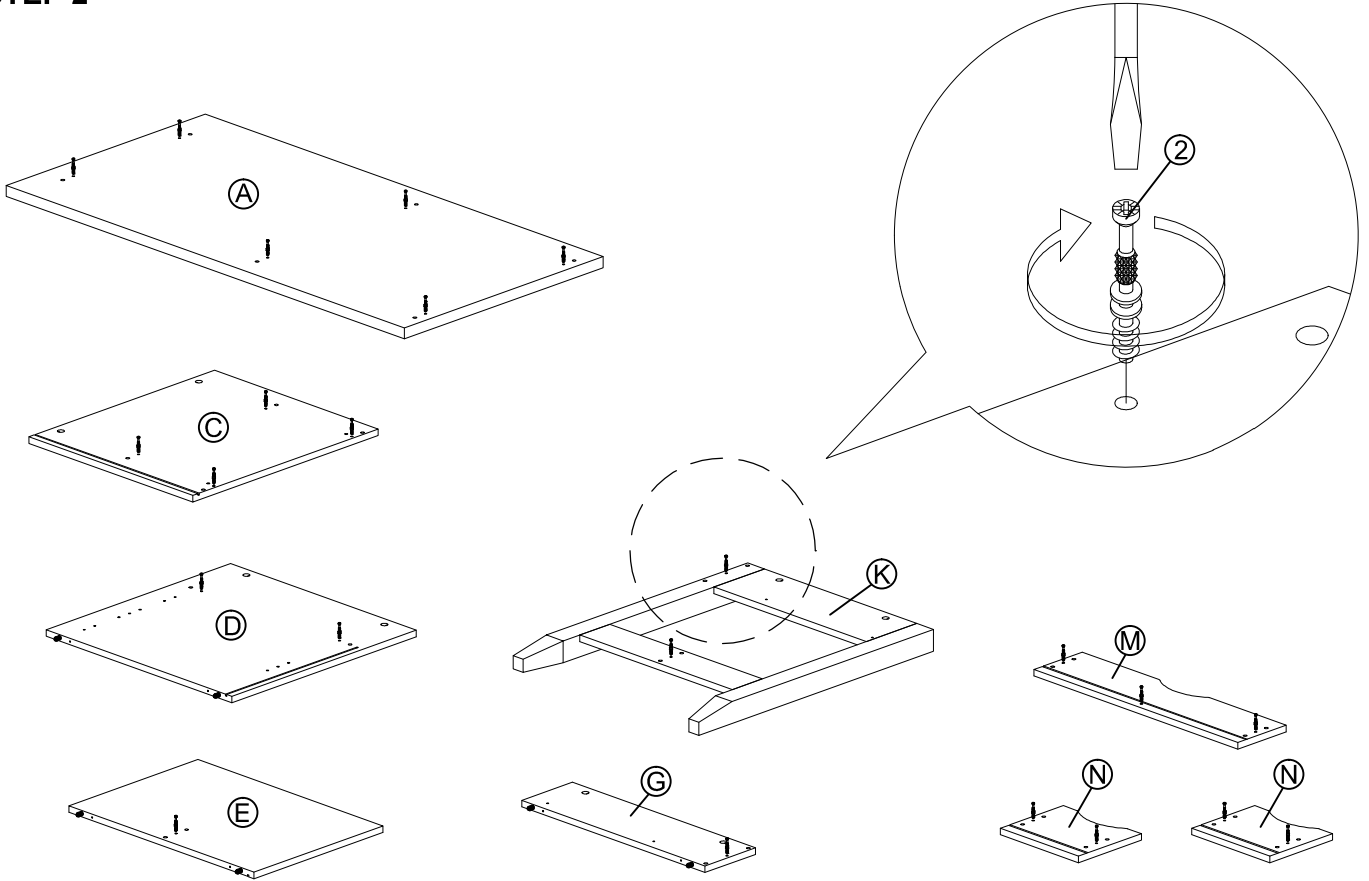


## STEP 1

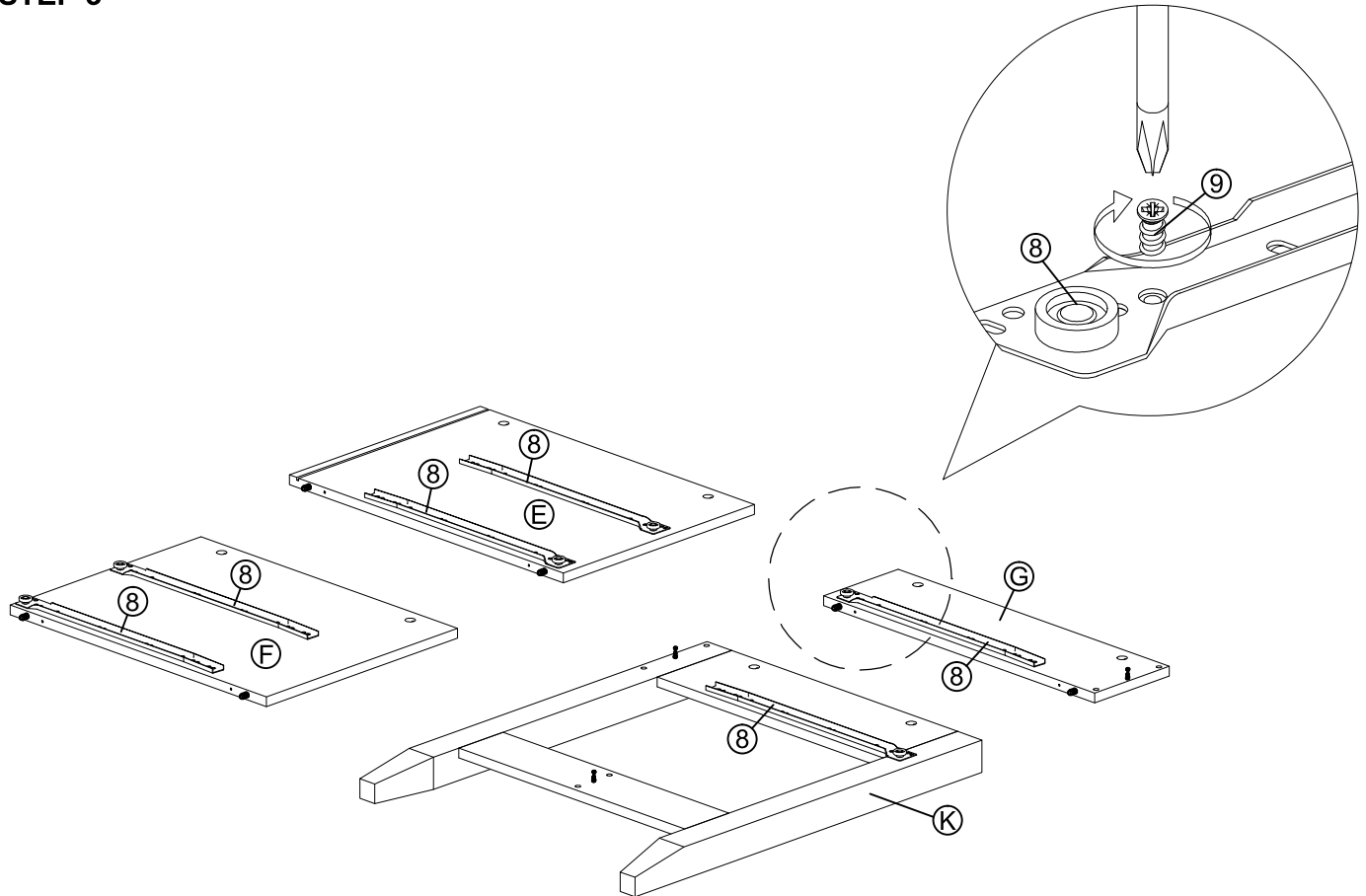


# Assembly Instruction

## STEP 2

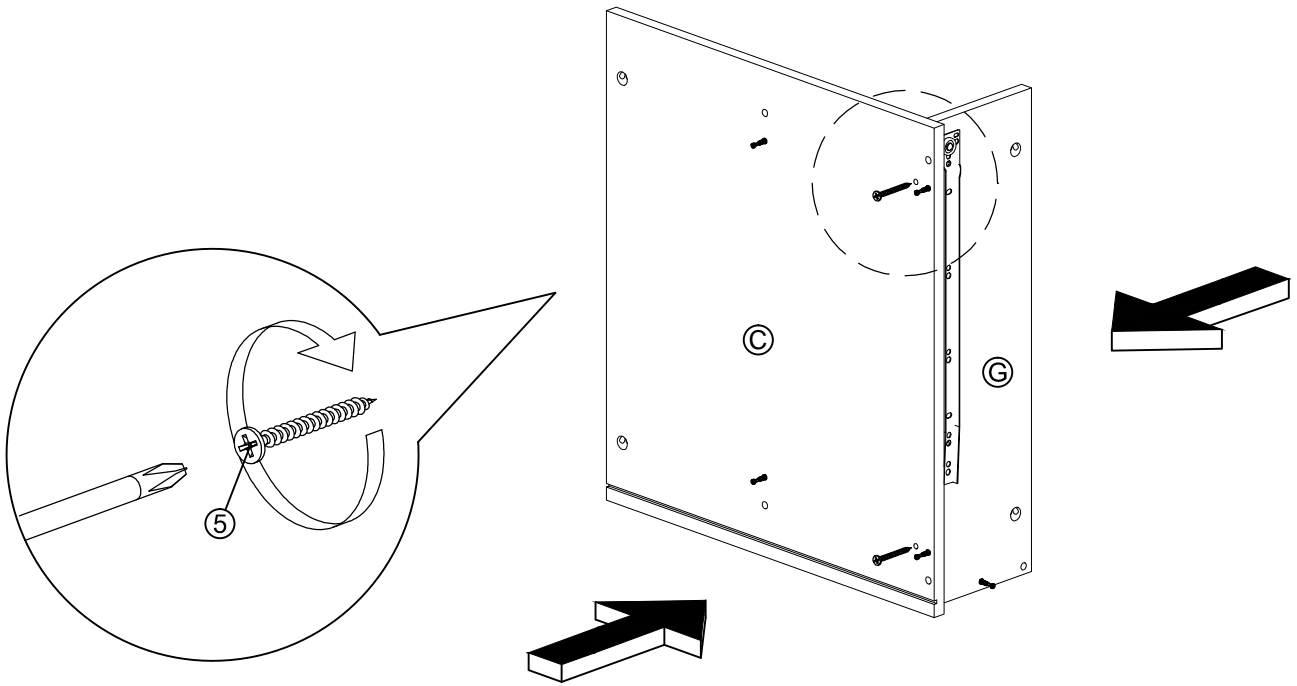


## STEP 3

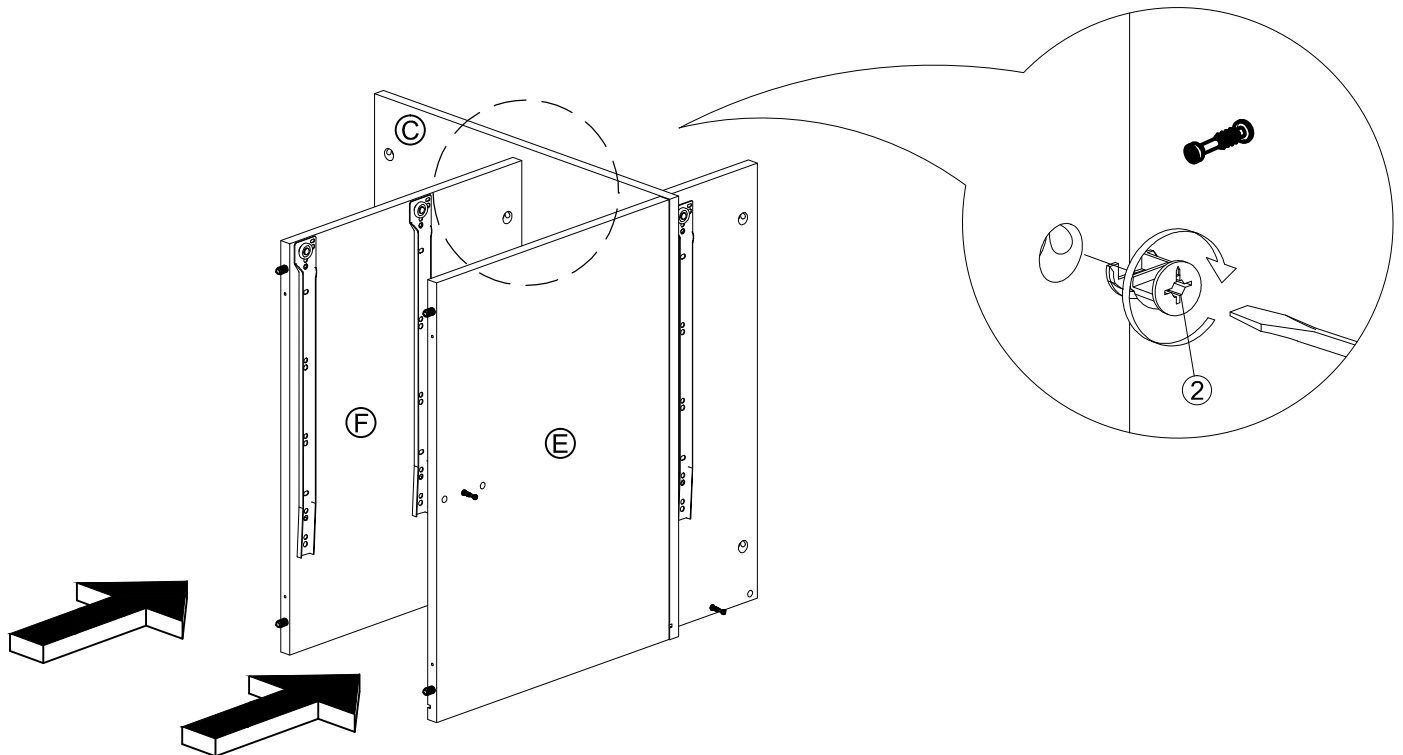


# Assembly Instruction

## STEP 4

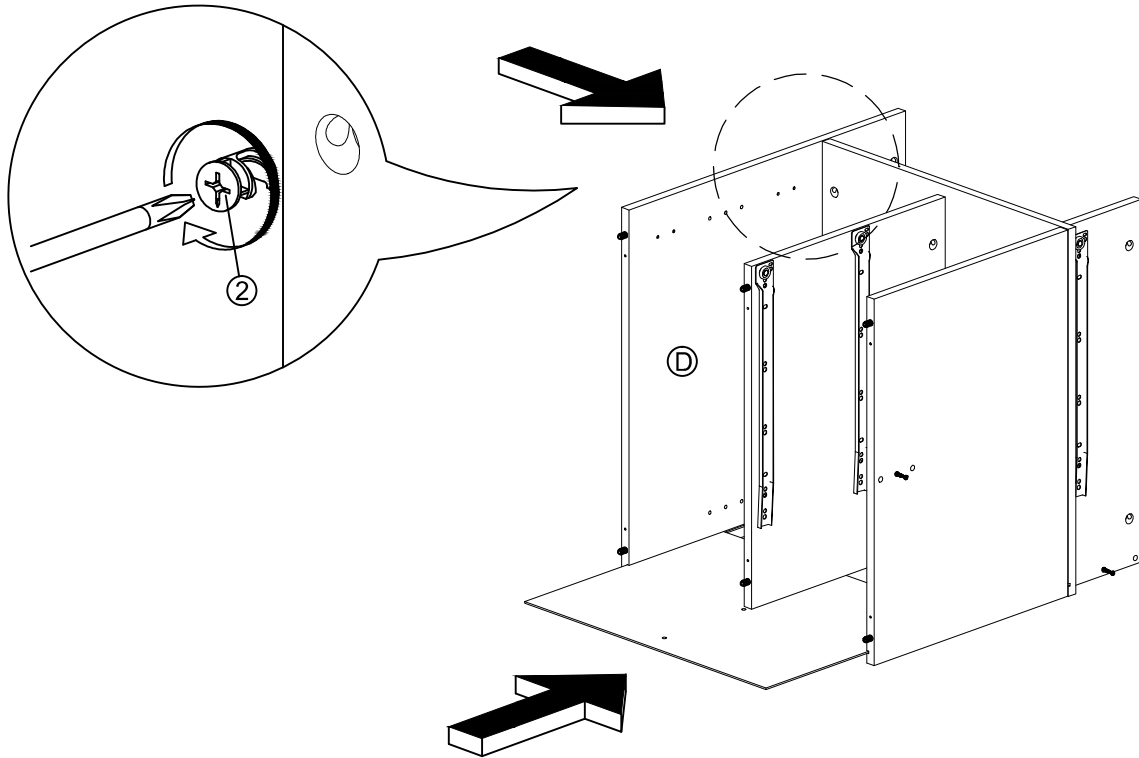


## STEP 5

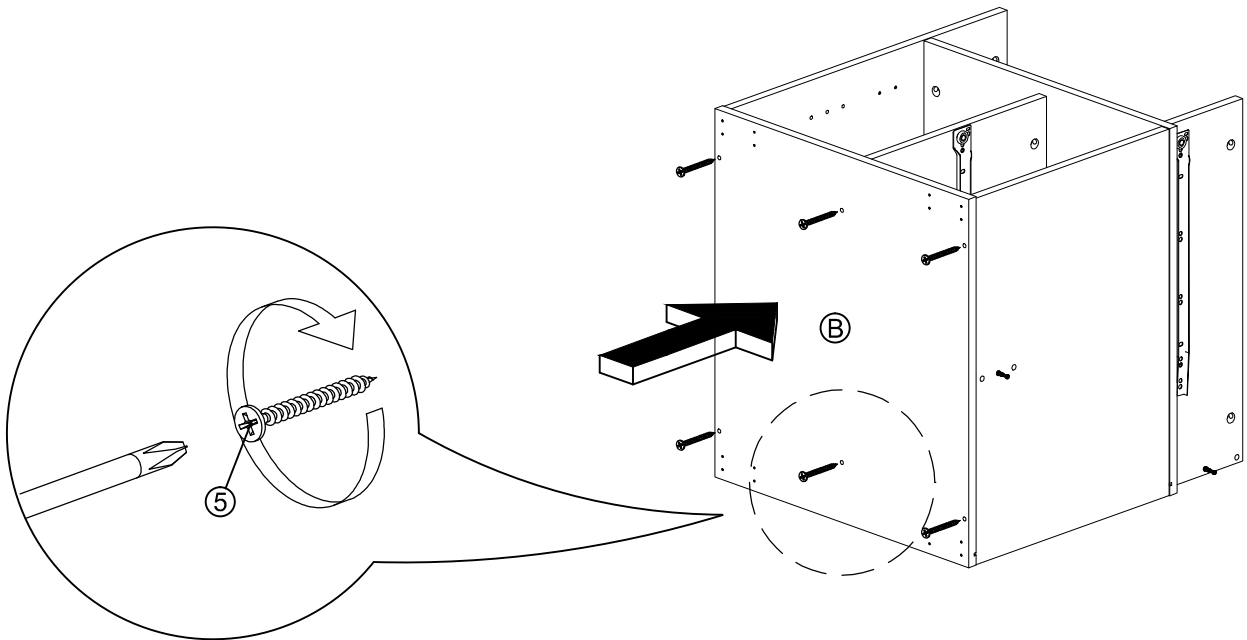


# Assembly Instruction

## STEP 6

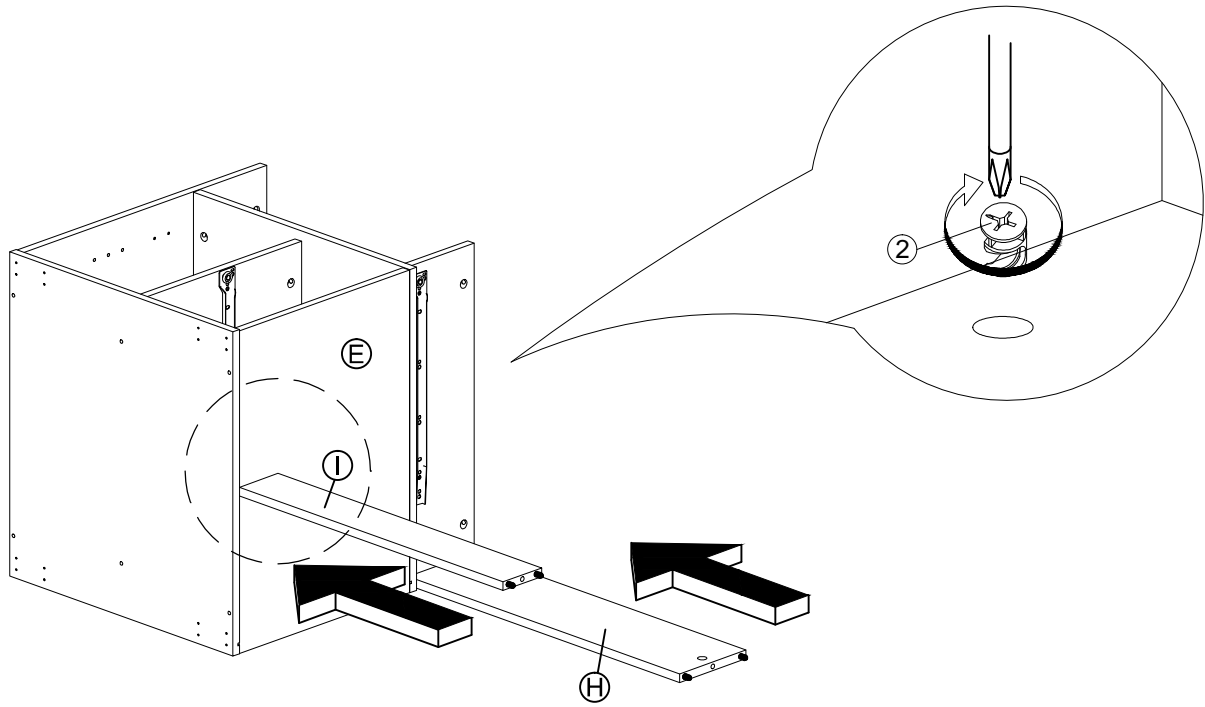


## STEP 7

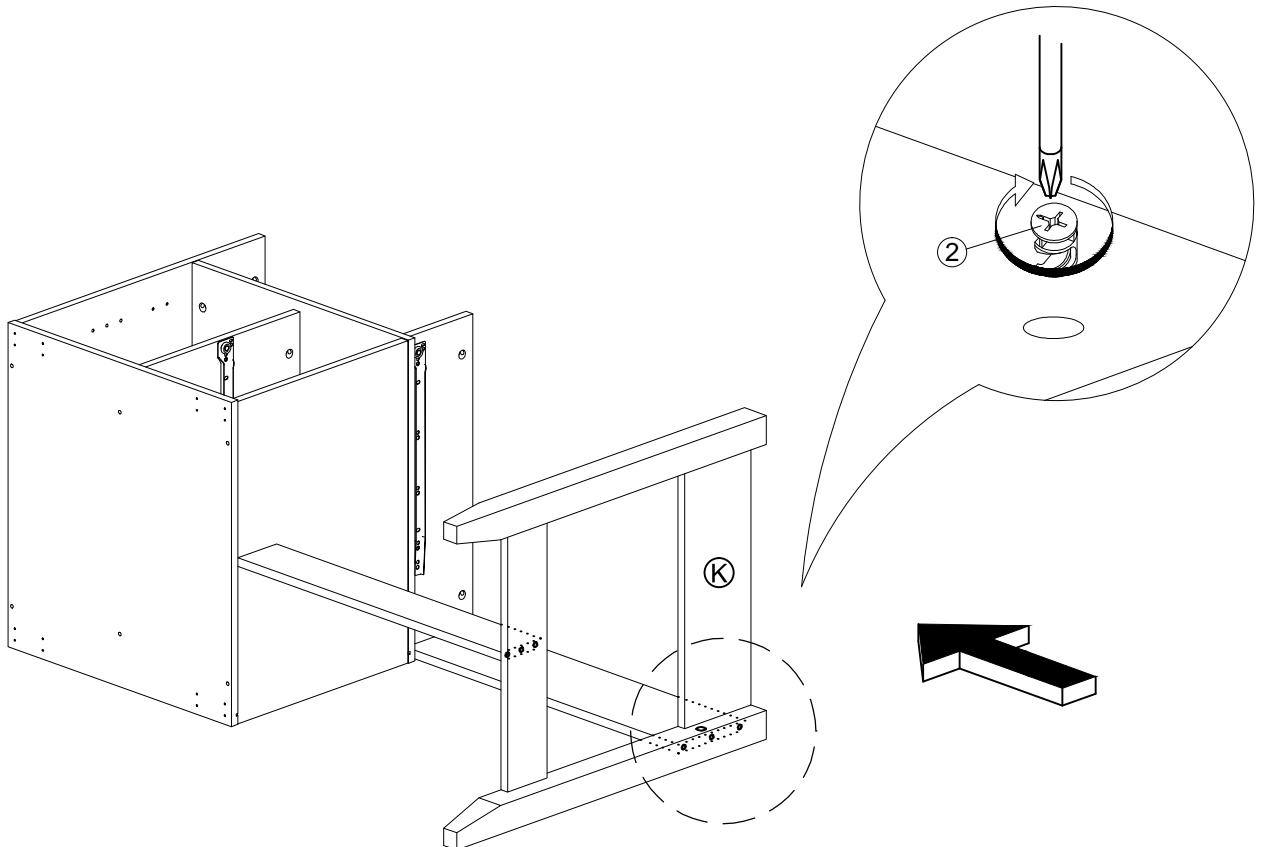


# Assembly Instruction

## STEP 8

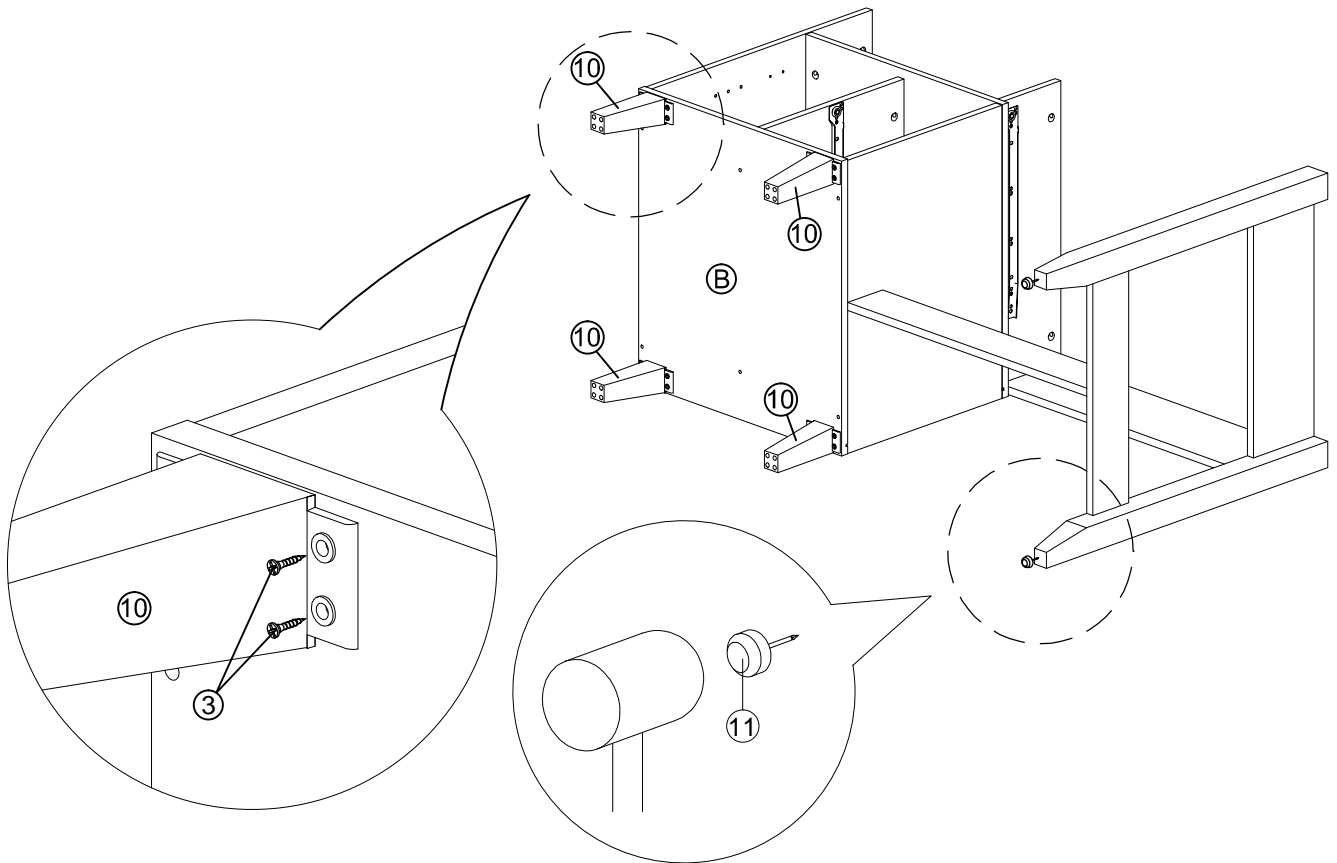


## STEP 9

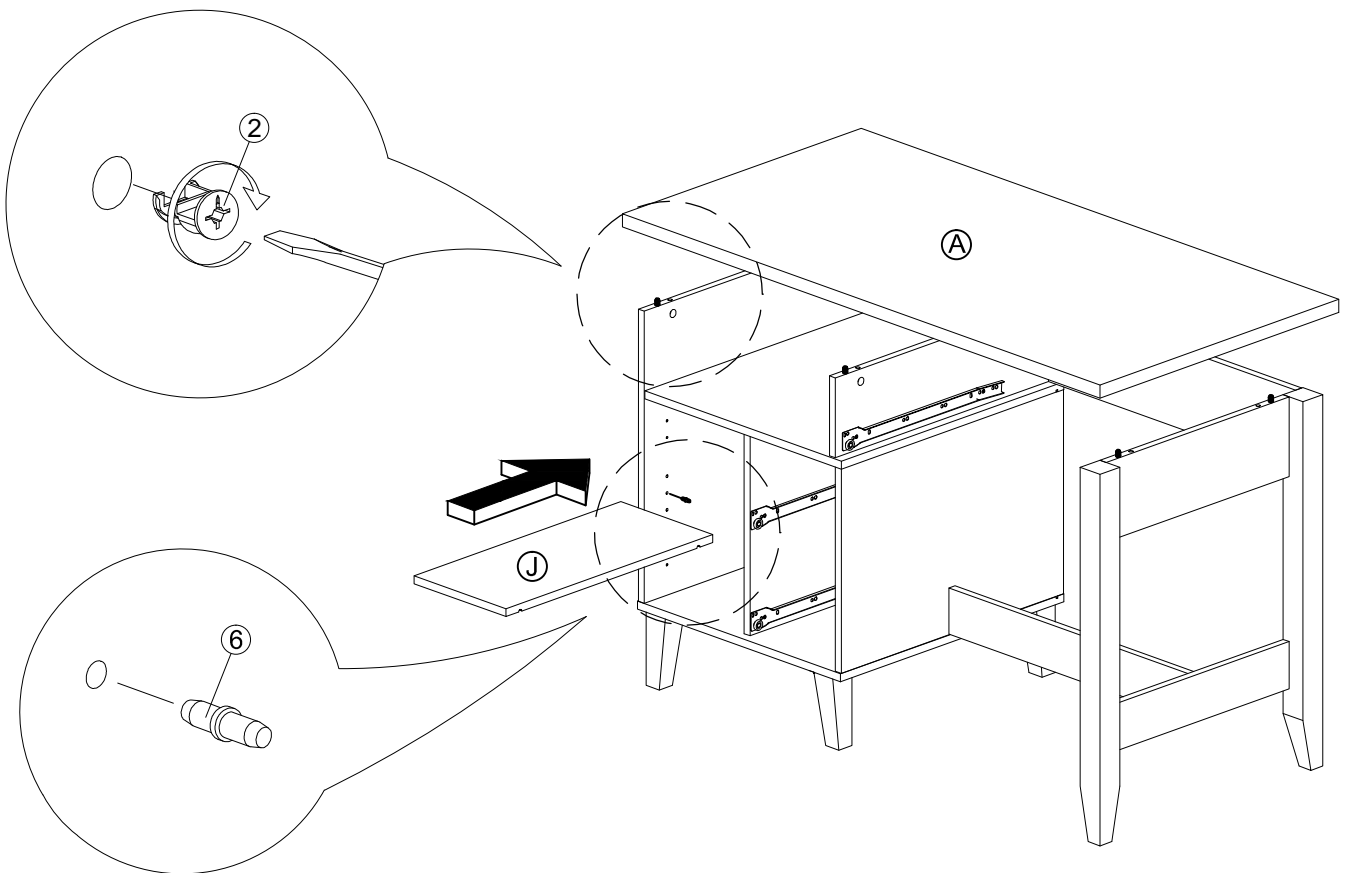


# Assembly Instruction

## STEP 10

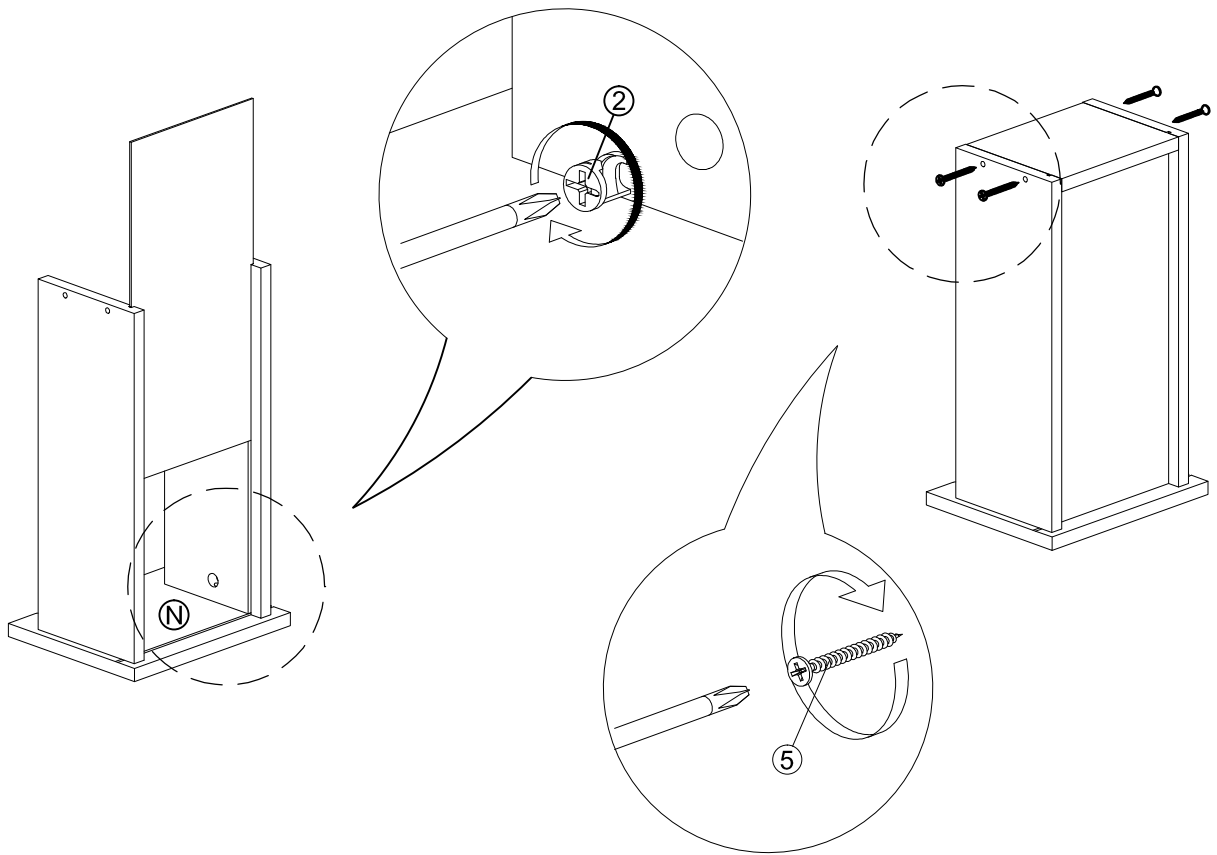


## STEP 11

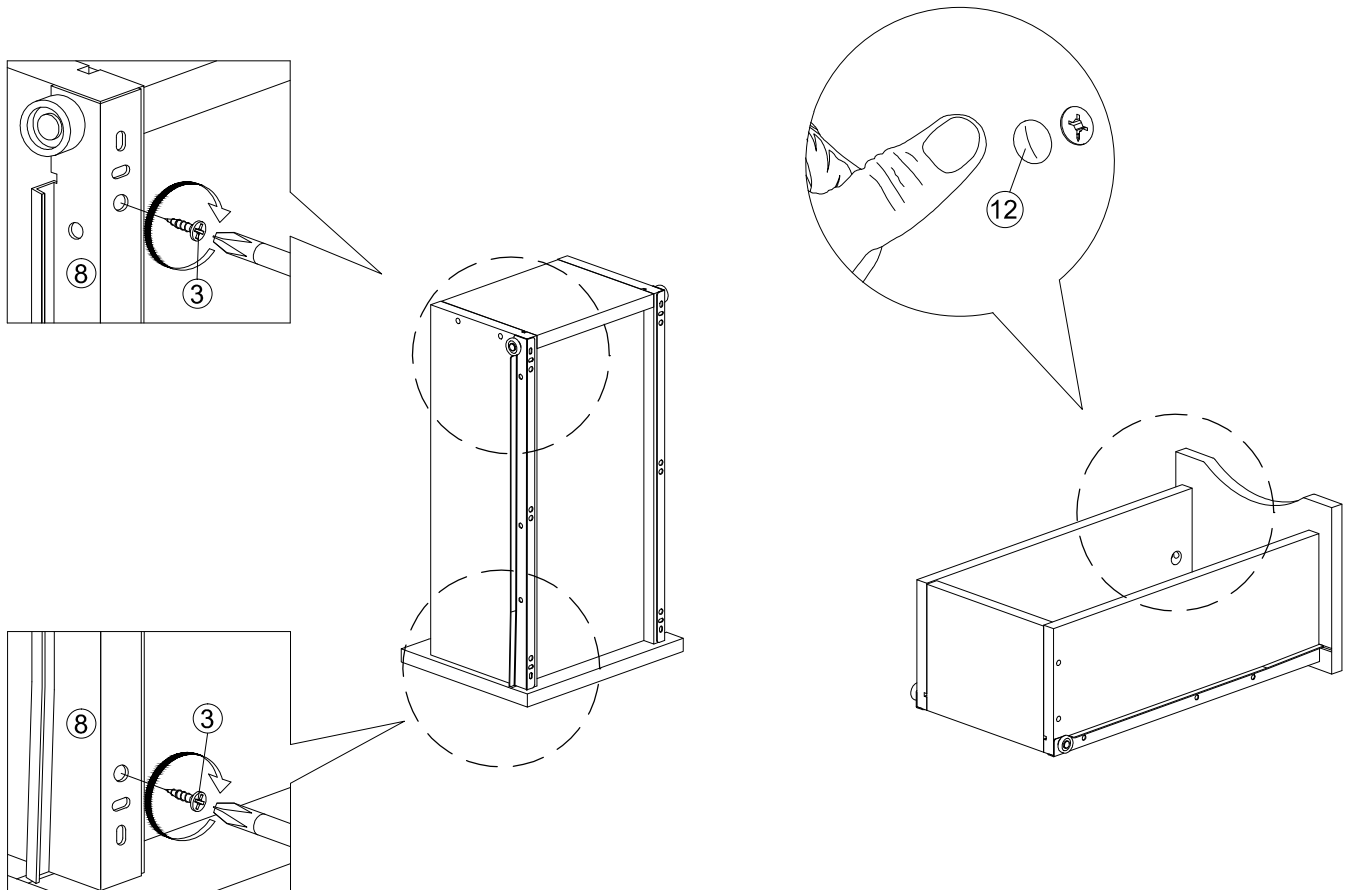


# Assembly Instruction

## STEP 12



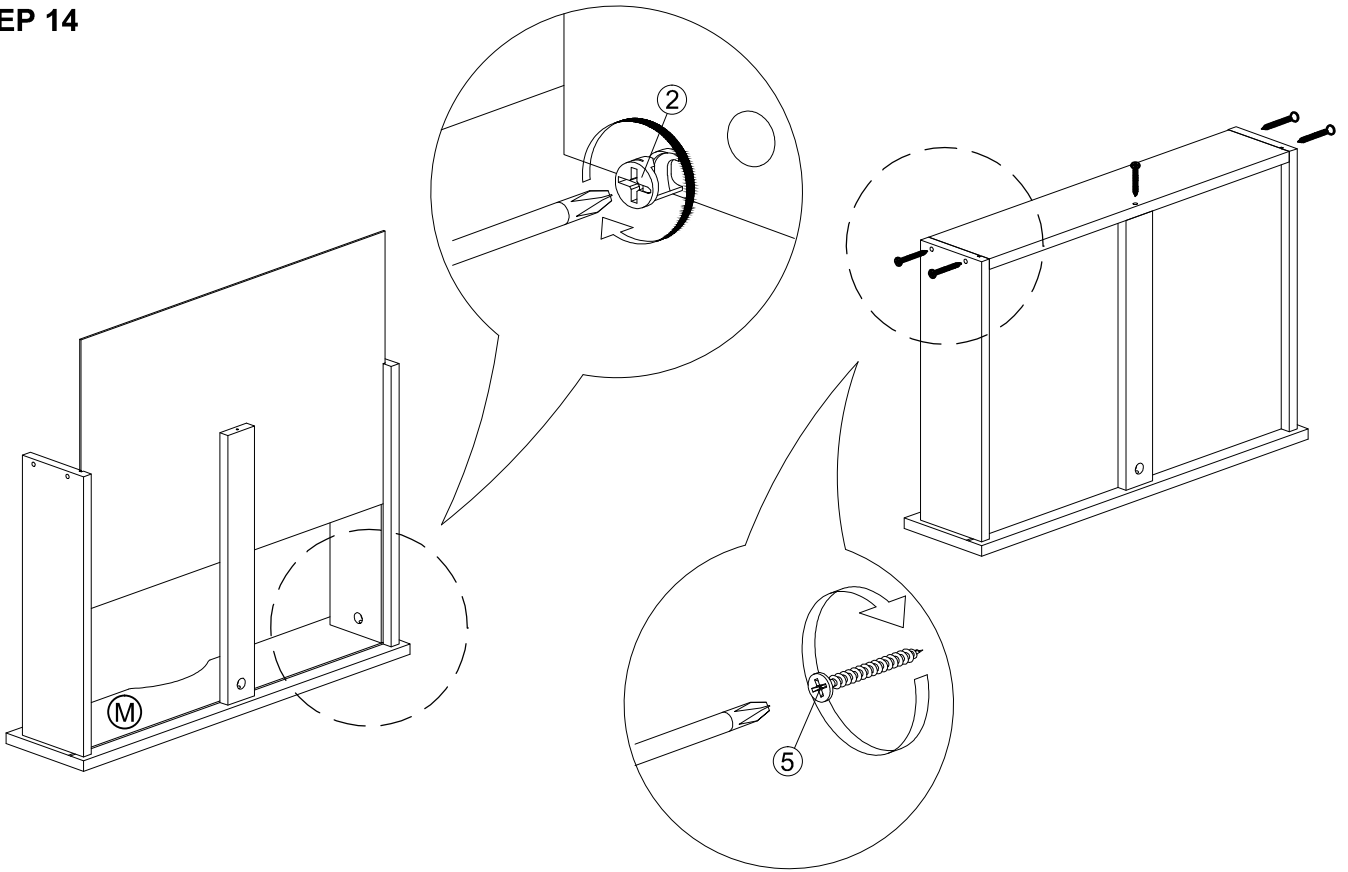
## STEP 13



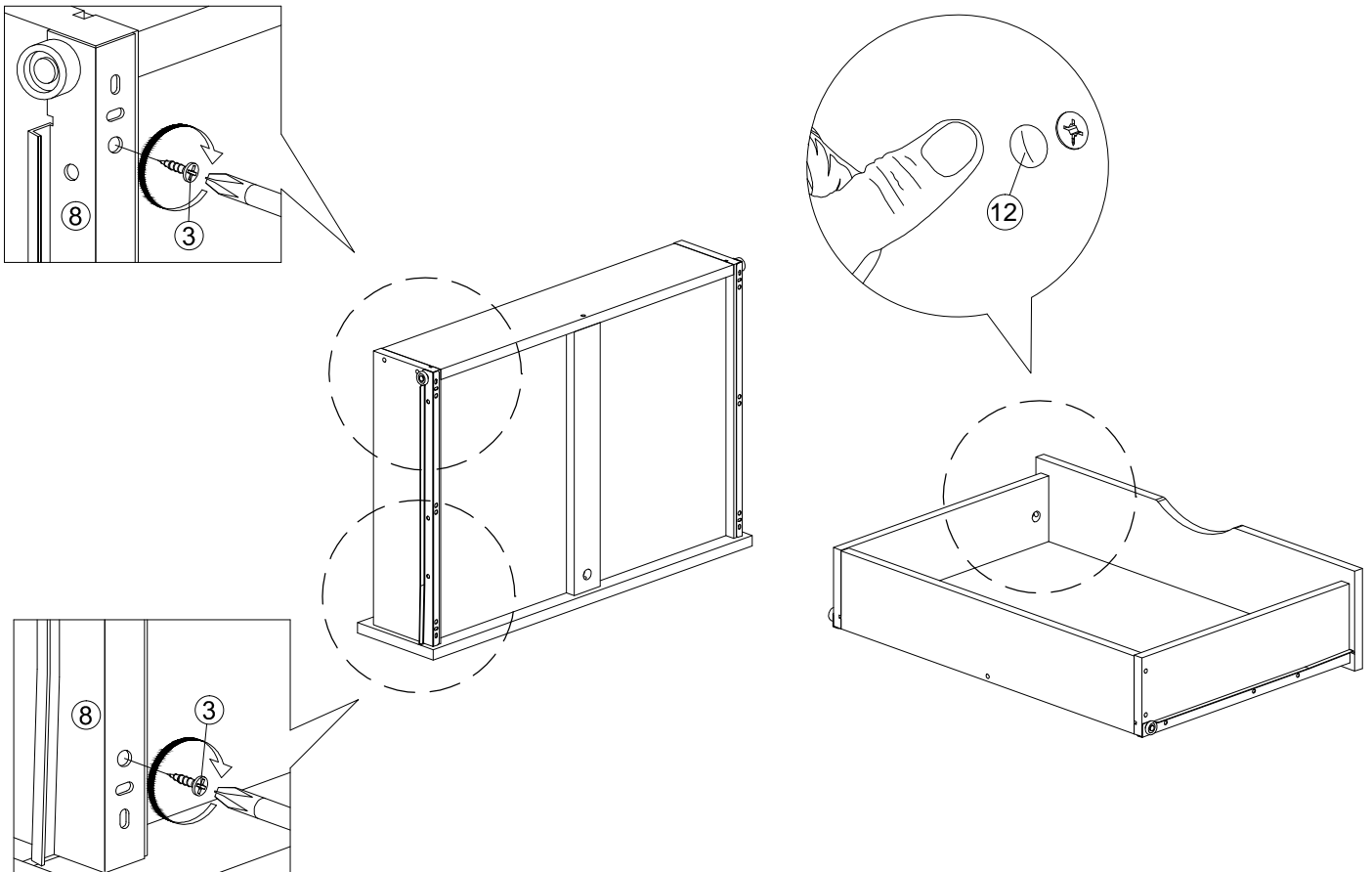


# Assembly Instruction

## STEP 14

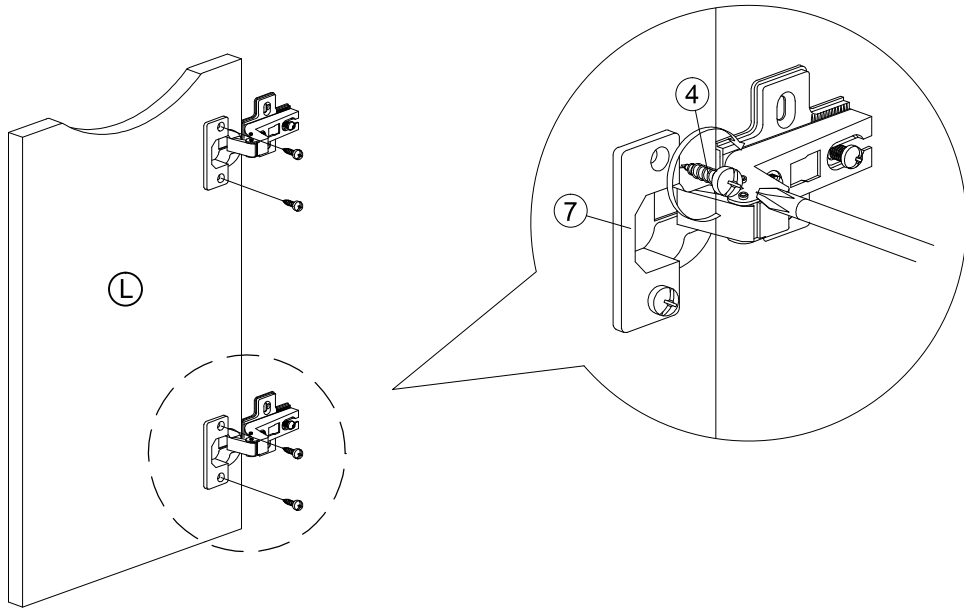


## STEP 15

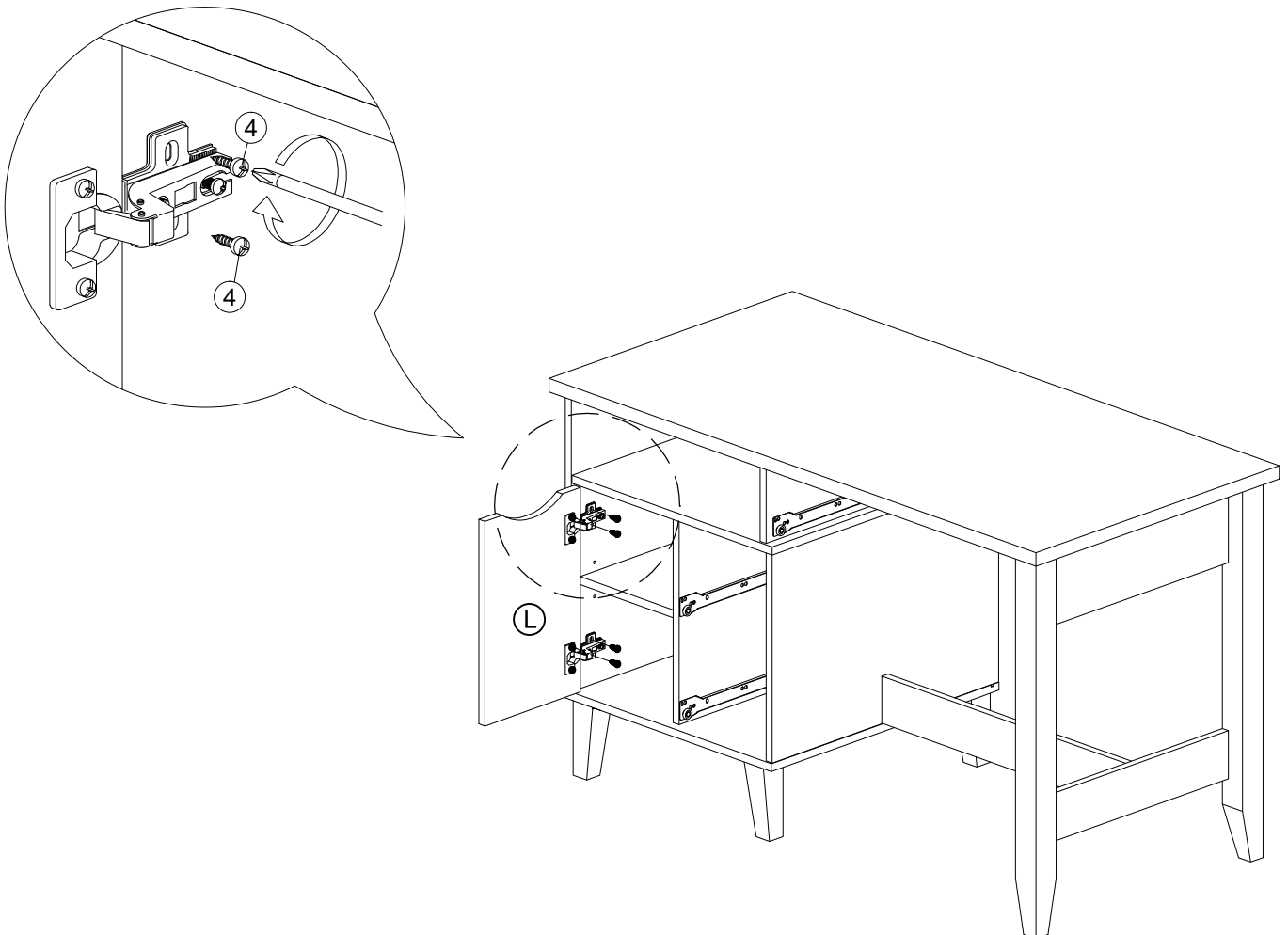


# Assembly Instruction

## STEP 16

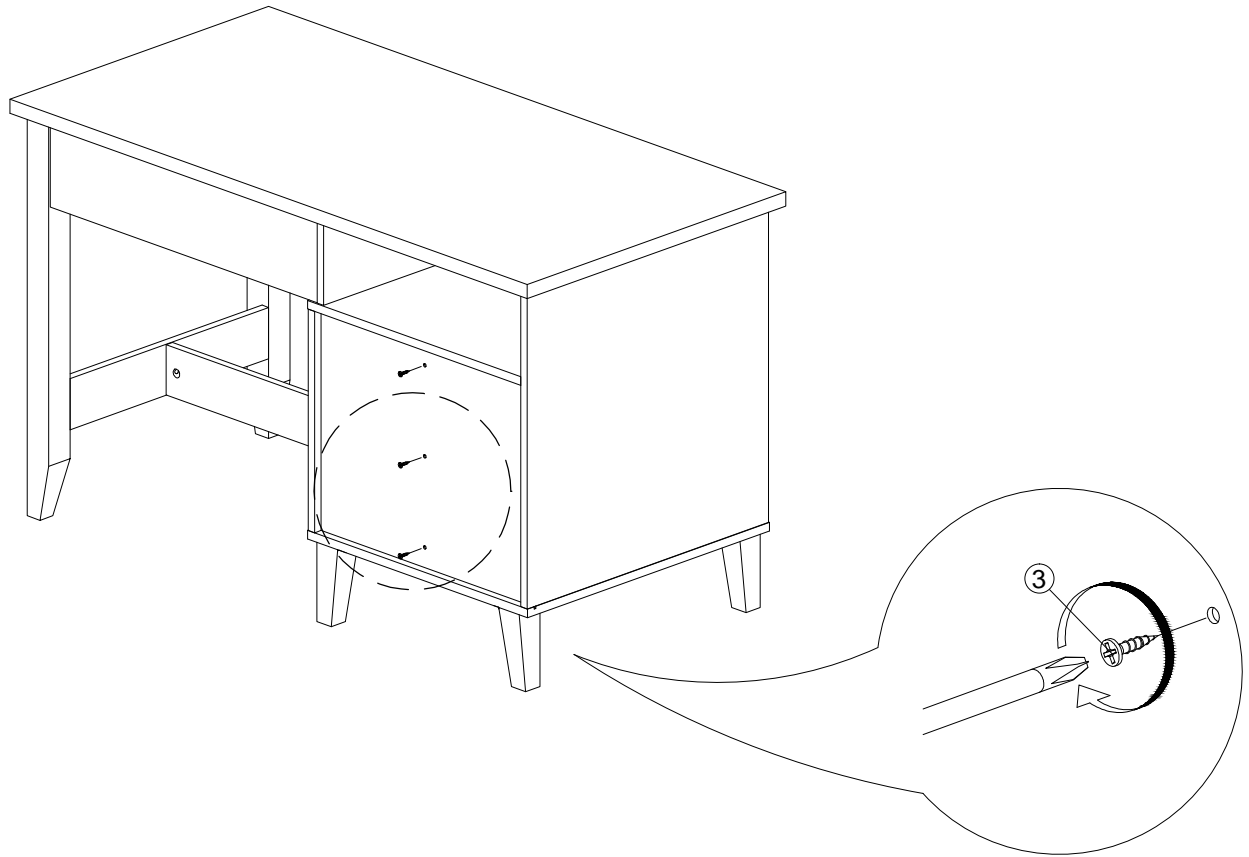


## STEP 17



# Assembly Instruction

## STEP 18



## STEP 19

