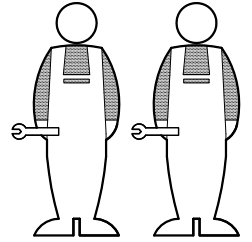
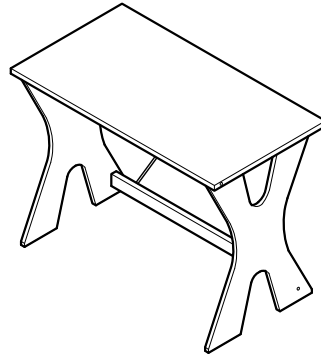
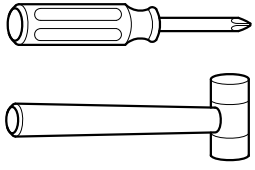


**ASSEMBLY  
INSTRUCTIONS**

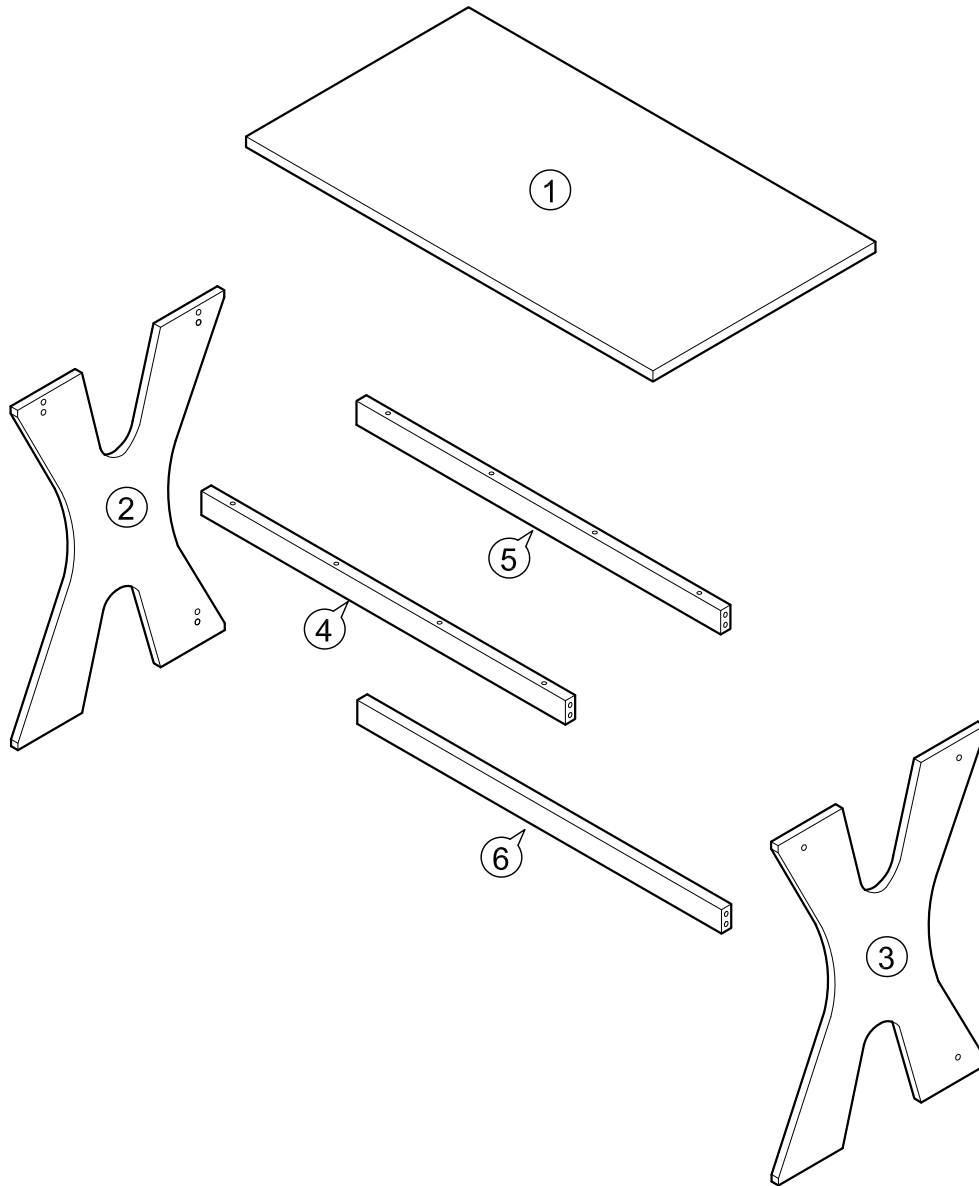
Item : Cary Writing Desk









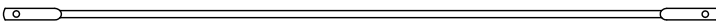
Not Provided

2 Persons

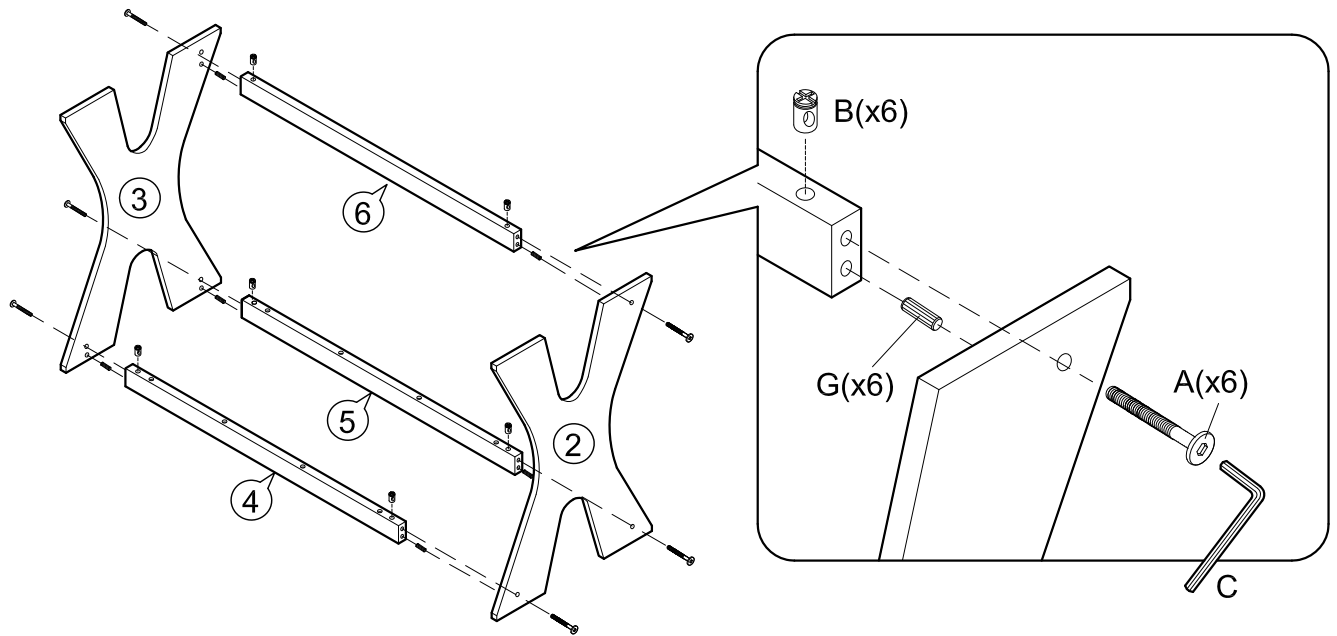
**Part List**



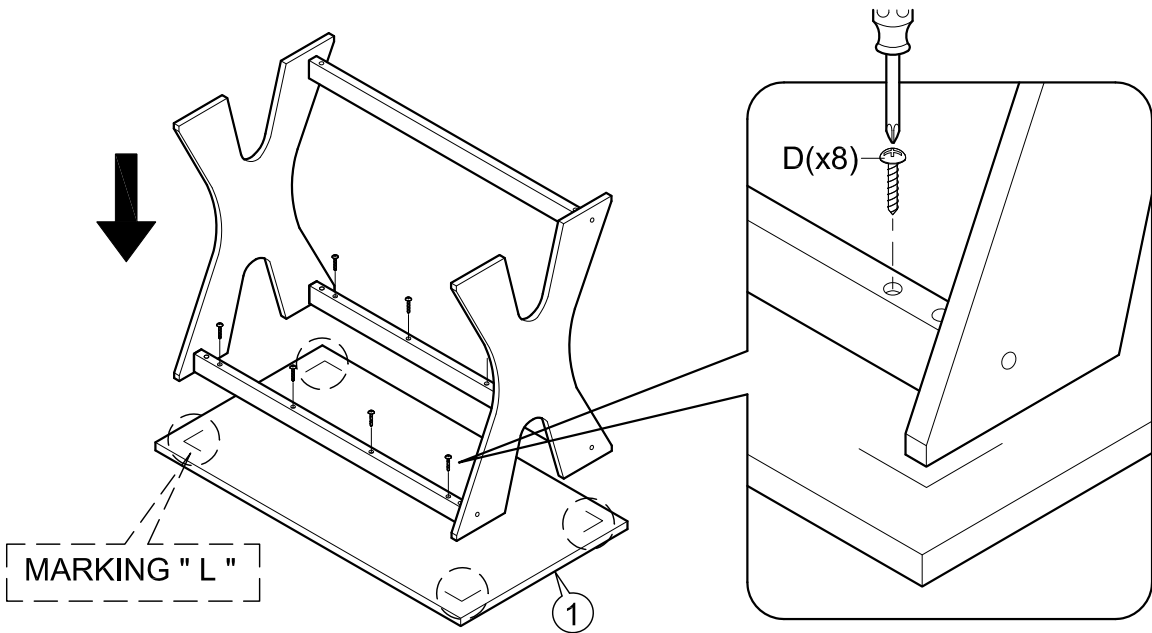
**Hardware List**

|  |   |  |  |
|--|---|--|--|
| <p><b>A</b>  M6 x60mm = 6</p>  | <p><b>C</b>  = 1</p>             | <p><b>E</b>  Pan Head #8 x 16mm = 3</p> | <p><b>G</b>  M8 x30mm = 6</p> |
| <p><b>B</b>  M6 x13mm = 6</p> | <p><b>D</b>  #8x 1 3/16" = 8</p> | <p><b>F</b>  752 x 9mm = 2</p>         |  |

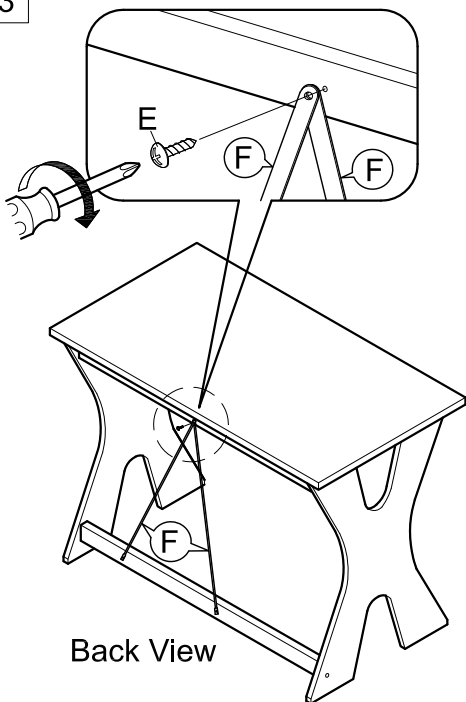
1



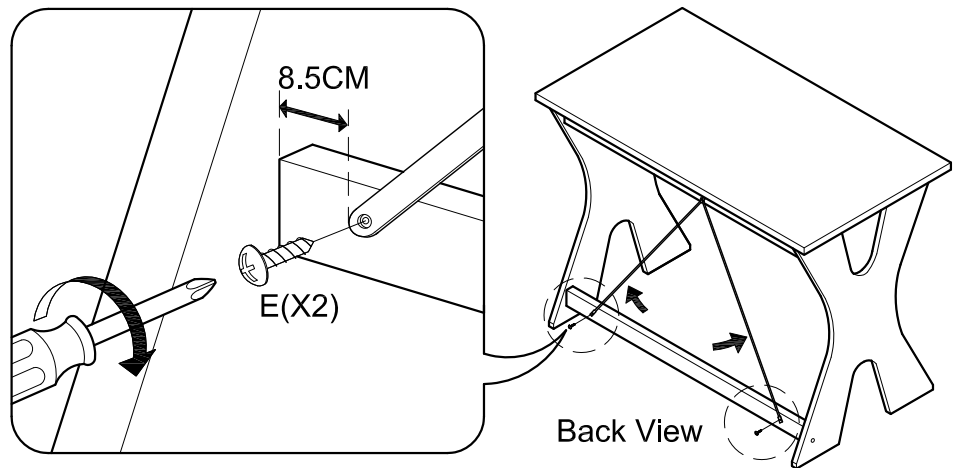
2



3



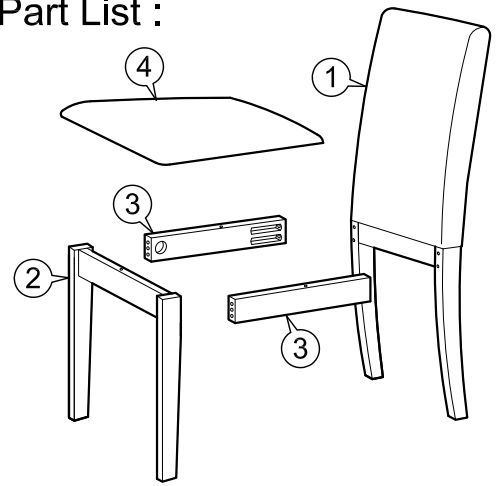
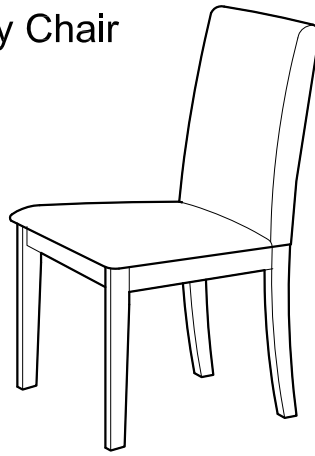
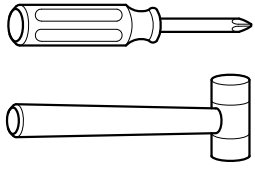
4



# ASSEMBLY INSTRUCTIONS

Item :  
Cary Chair

Part List :



Not Provided

## Hardware List

A M6 x 50mm = 6



B = 6



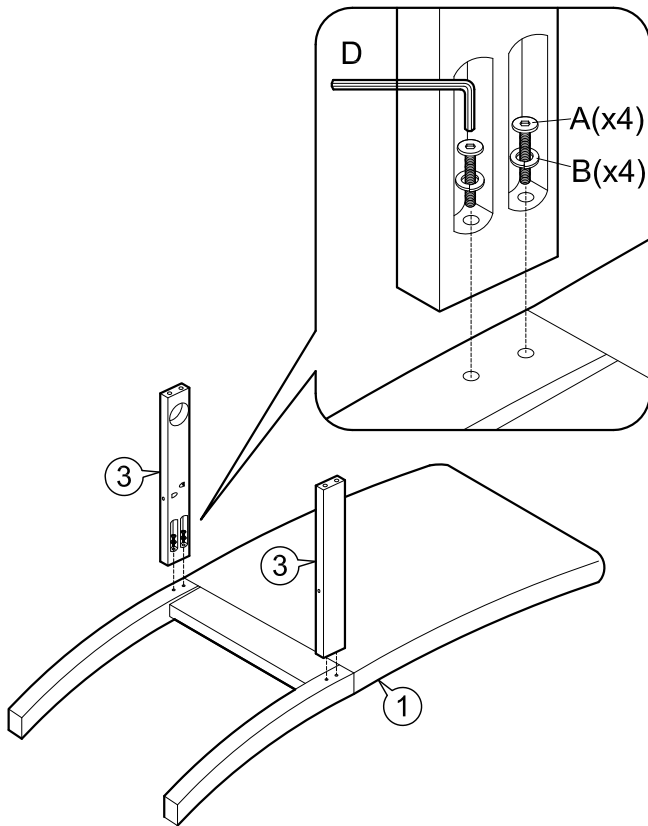
C M4 x 32mm = 3



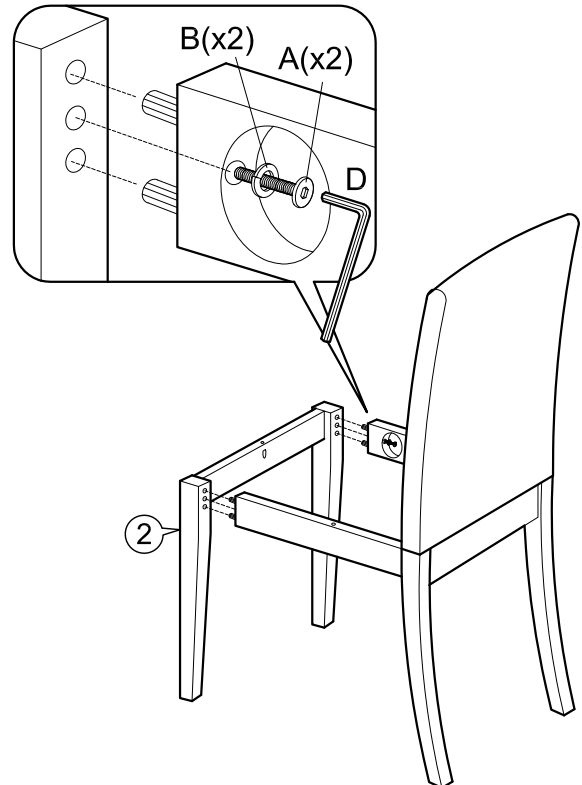
D M4 x 55mm = 1



1



2



3

