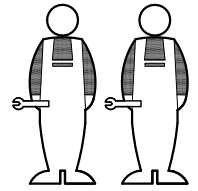
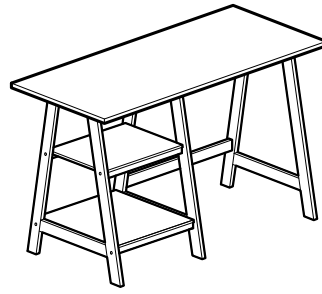
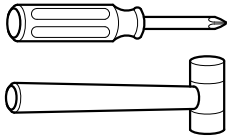


**ASSEMBLY
INSTRUCTIONS**

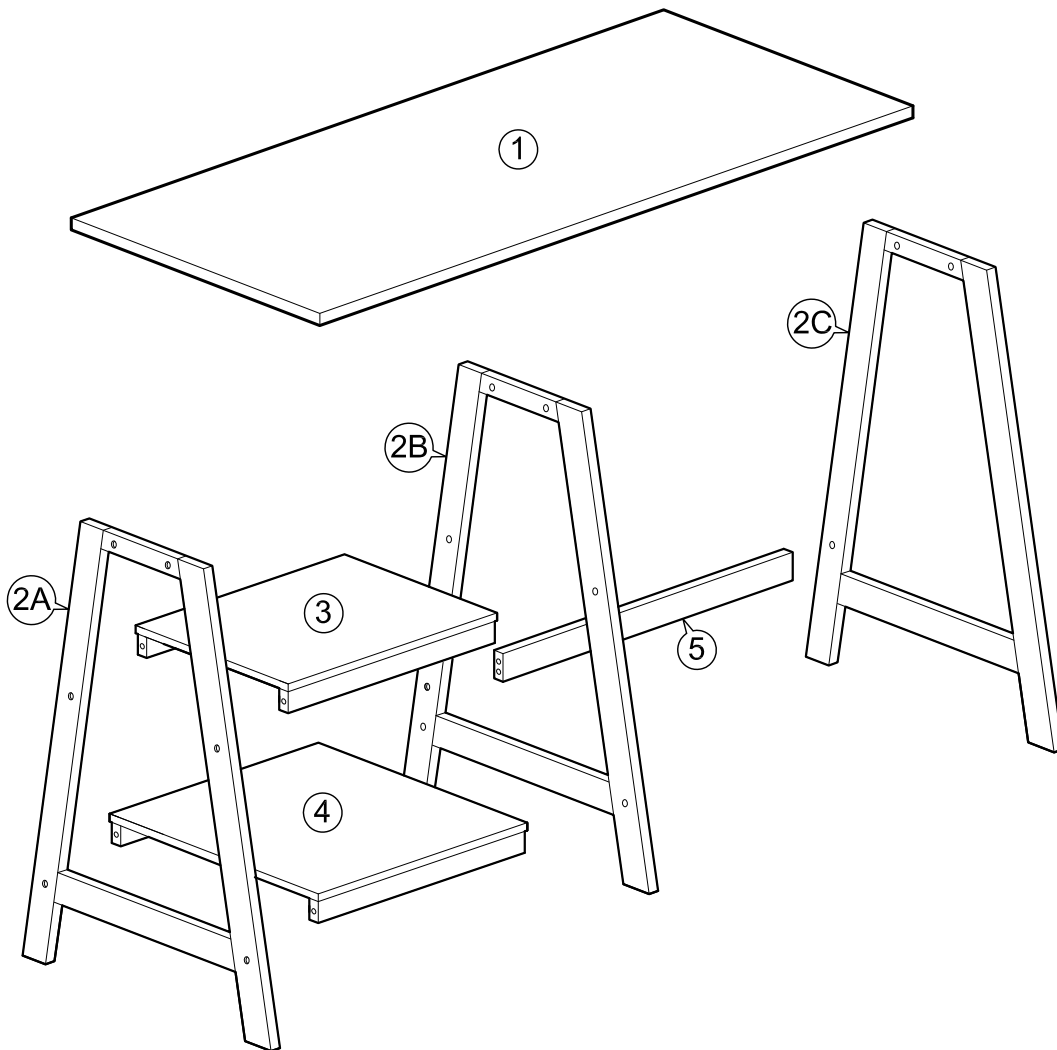
Item : RT218-TBL Stockton Writing Desk



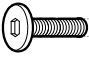
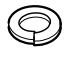


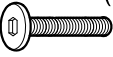


Not Provided

2 Persons

Part List

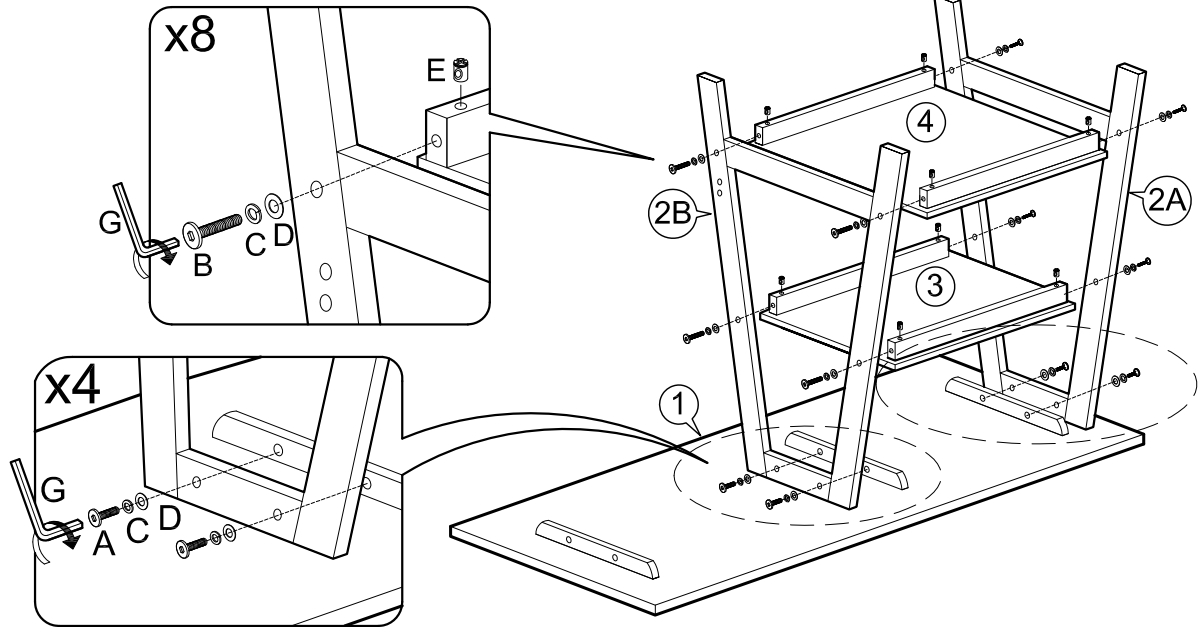


Hardware List

<p>A (Black) 35mm = 6</p> 	<p>C (Black) 1/4" = 16</p> 	<p>E = 10</p> 	<p>G = 1</p> 
<p>B (Black) 50mm = 10</p> 	<p>D (Black) M6 x 13mm = 16</p> 	<p>F M8 x 35mm = 2</p> 	

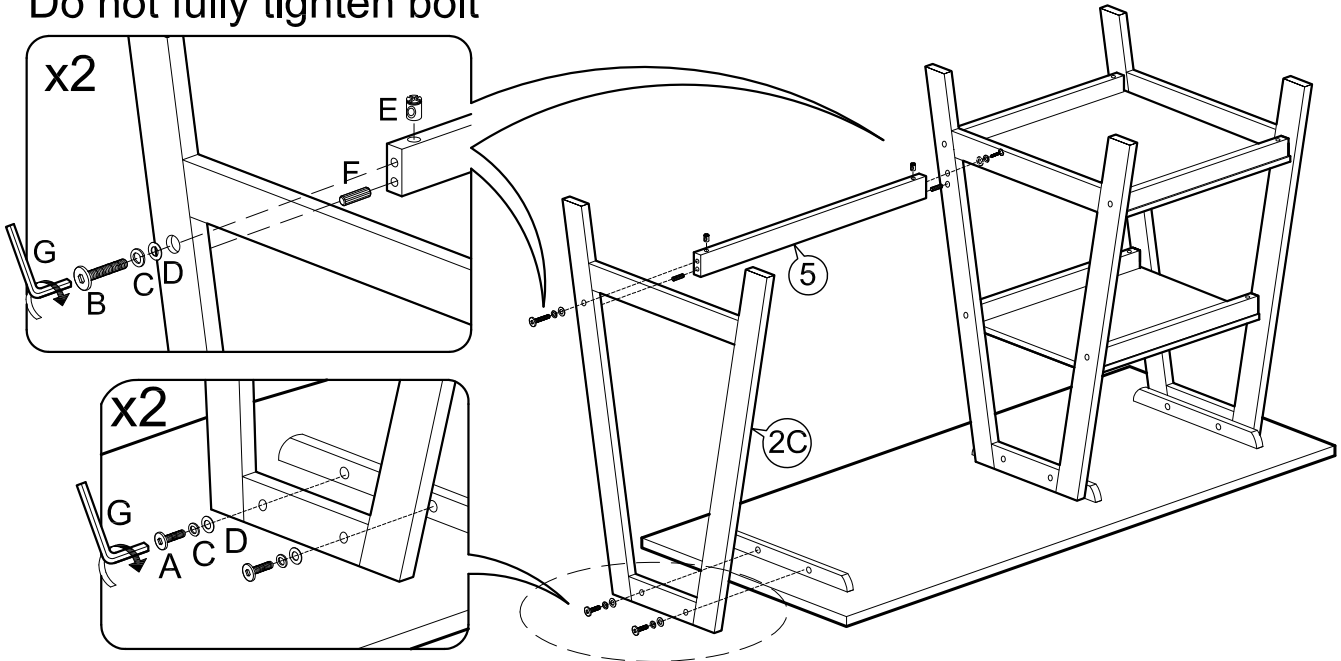
1

Do not fully tighten bolt



2

Do not fully tighten bolt



3

Tighten all bolts

