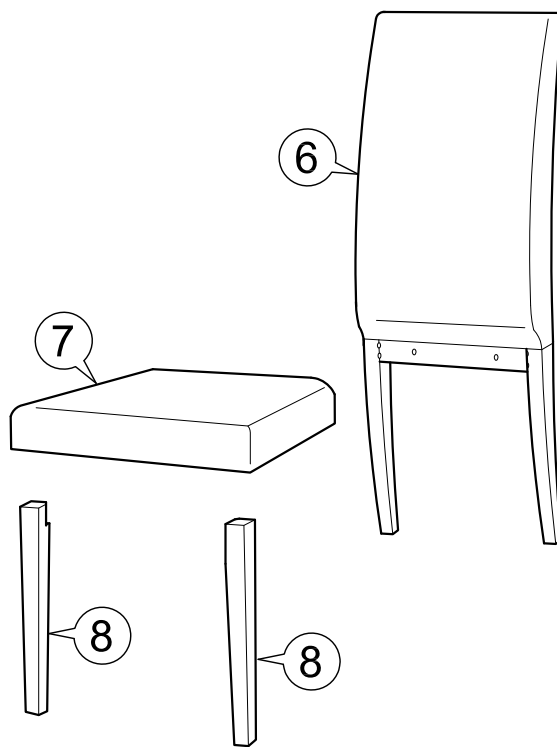
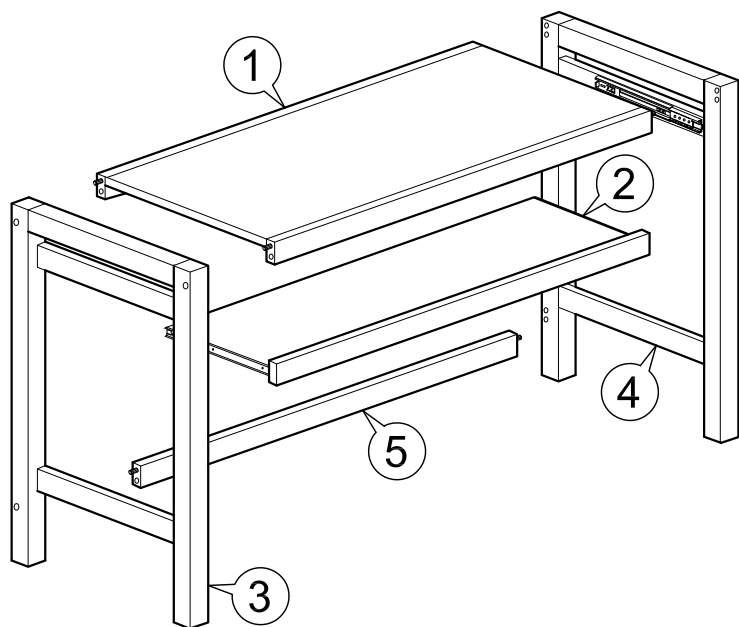
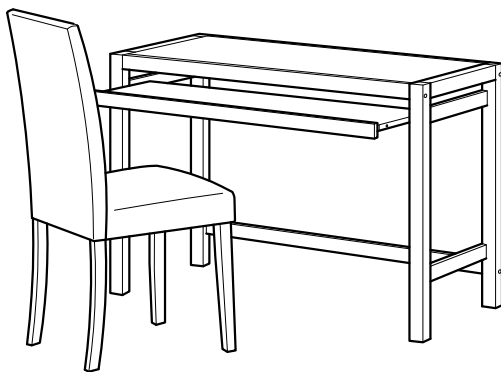




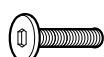
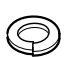

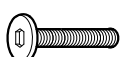


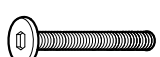

# ASSEMBLY INSTRUCTIONS

## Mesa Desk With Chair Set

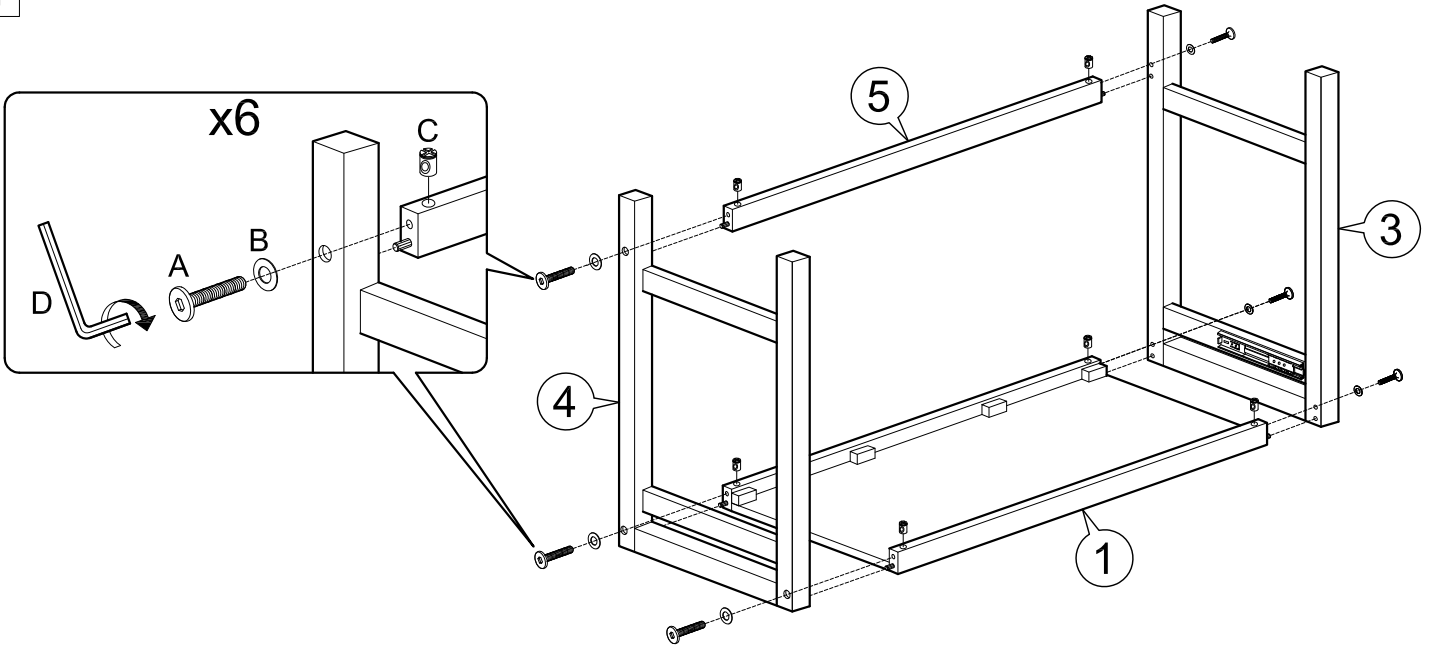


### WARNING

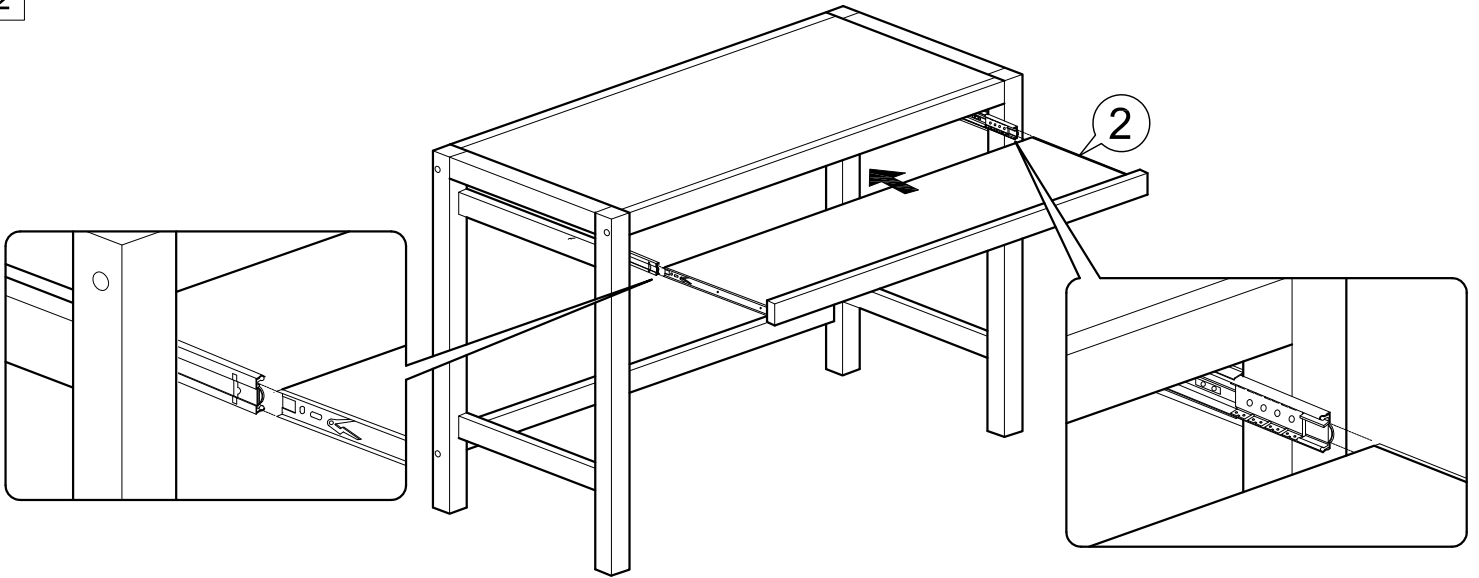
- Do not tighten bolts until desk / chair are standing upright and level

Table		Chair	
A (Black) 80mm = 6 	D  = 1	E  45mm = 2	H  1/4" = 10
B (Black) M6 x 13mm = 6 		F  50mm = 4	I  1/4" = 10
C  = 6		G  80mm = 4	J  = 1

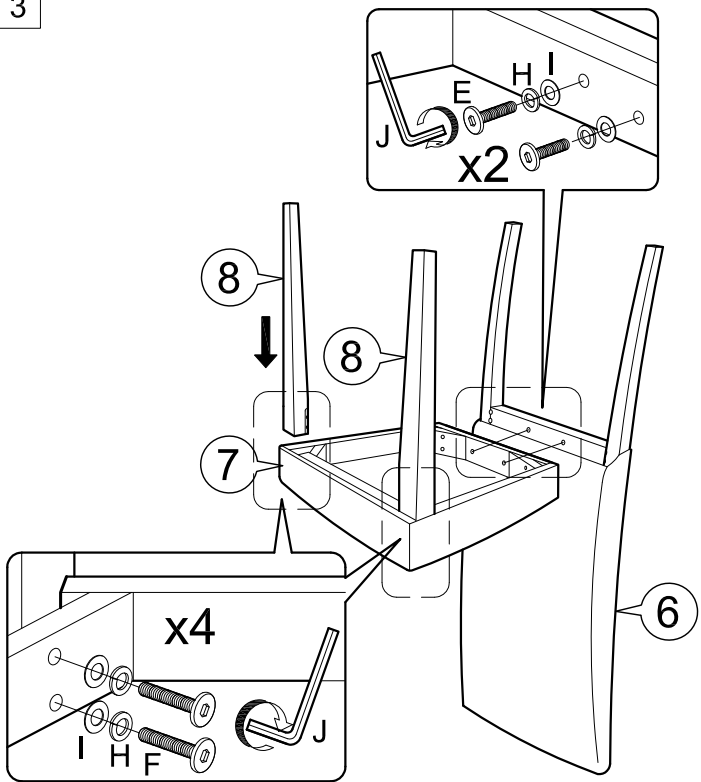
1



2



3



4

