

# ASSEMBLY INSTRUCTION

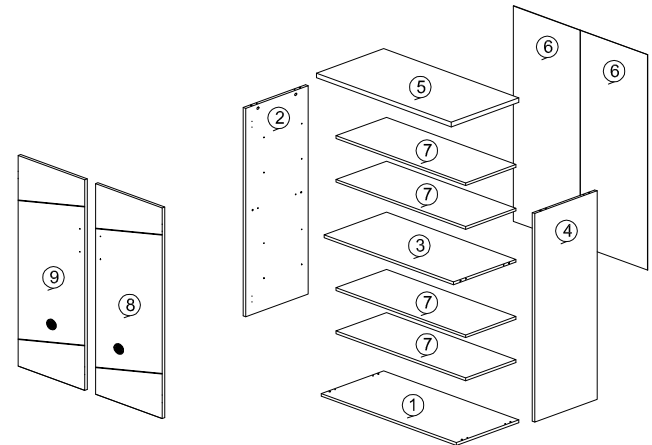
MODEL : SC 864613

DESCRIPTION : 2 DOORS SHOE CABINET

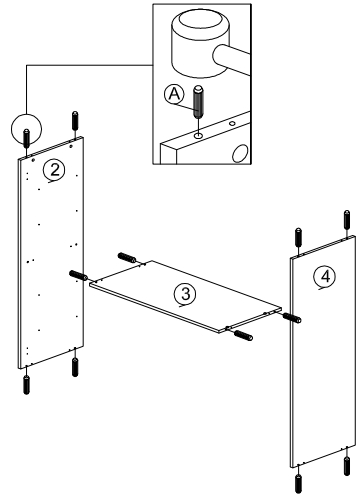
HARDWARE

<b>A</b>  WOOD DOWEL 8 X 25 1X12	<b>B</b>  16MM CB SCREW M3.5X16MM 1X32	<b>C</b>  50MM CSK CAP WOOD M6X50MM 1X4	<b>D</b>  NAIL 5/8 1X24	<b>E</b>  L KEY 1X1	<b>F</b>  METAL SHELF SUPPORT 1X16	<b>G</b>  G1 G2 G3 MINIFIX 5654+5546 8 SETS	<b>H</b>  HANDLE 5540-128 1X2	<b>I</b>  19MM HANDLE SCREW M4X19MM 1X4	<b>J</b>  HINGES 5/8 4 SETS	<b>K</b>  5038 PVC LEG 1X4	<b>L</b>  2 PIN STOPPER 1X1
--	---	--	----------------------------------	------------------------------	---	---	--	--	--------------------------------------	--	--------------------------------------

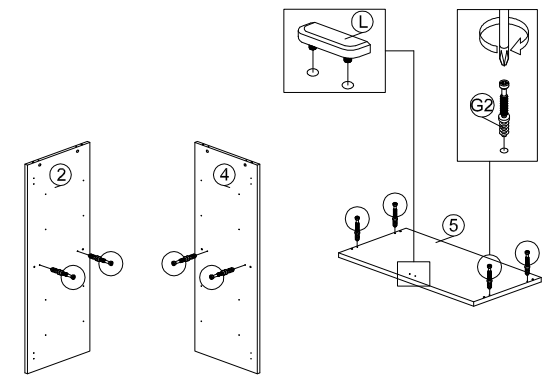
## PART LIST



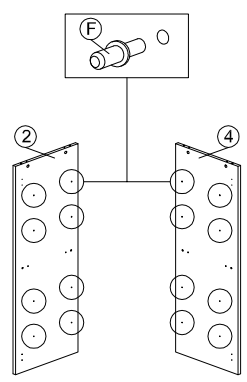
## STEP 1



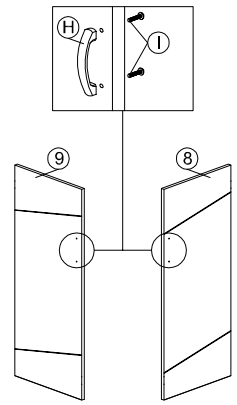
## STEP 2



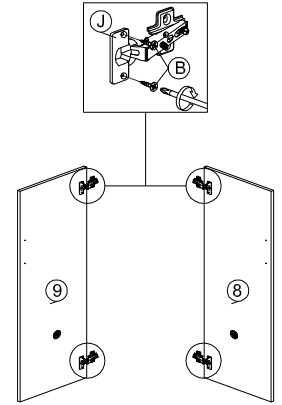
## STEP 3



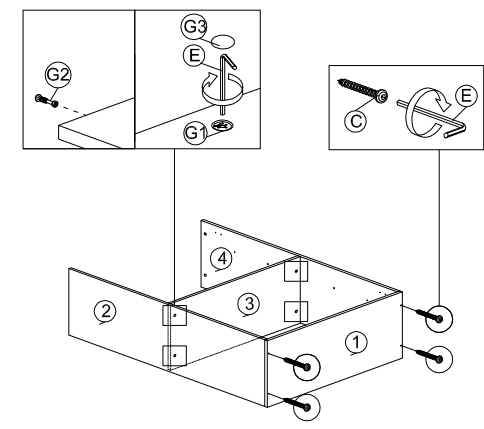
## STEP 4



## STEP 5

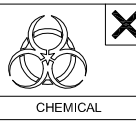


## STEP 6

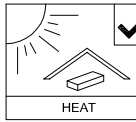




SOFT, DRY CLOTH



CHEMICAL



HEAT



KEEP DRY



HANDLE WITH CARE



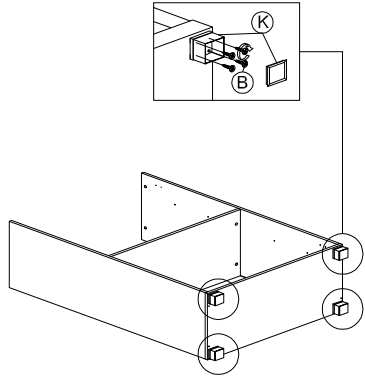
DO NOT USE KNIFE

# ASSEMBLY INSTRUCTION

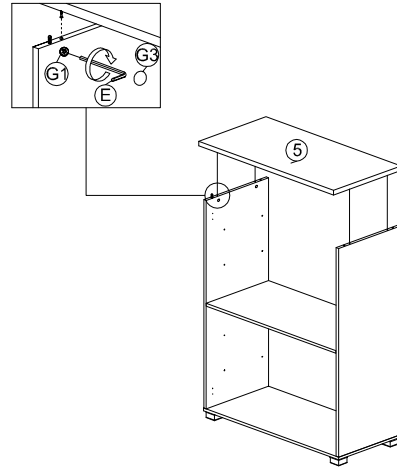
MODEL : SC 864613

DESCRIPTION : 2 DOORS SHOE CABINET

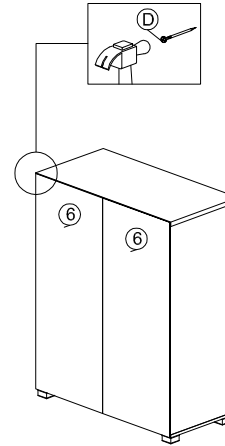
## STEP 7



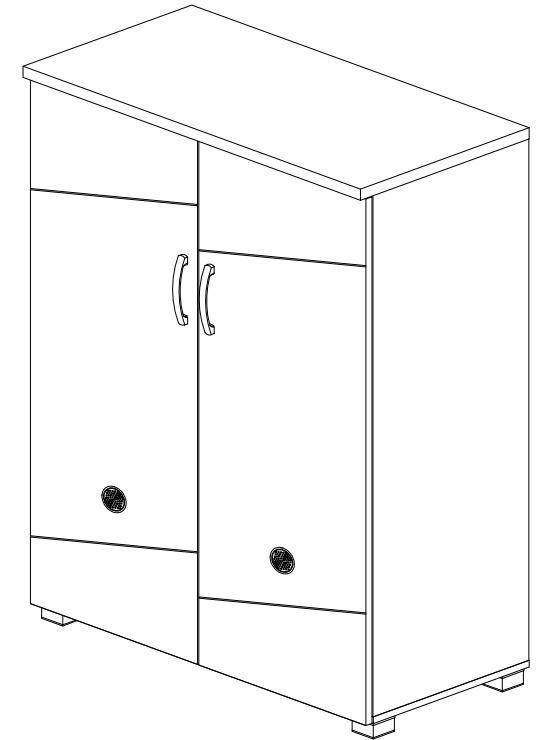
## STEP 8



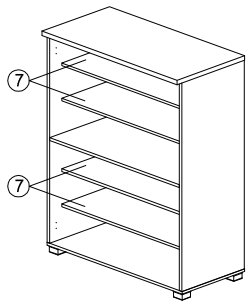
## STEP 9



## COMPLETED



## STEP 10



## STEP 11

