

ASSEMBLY INSTRUCTION

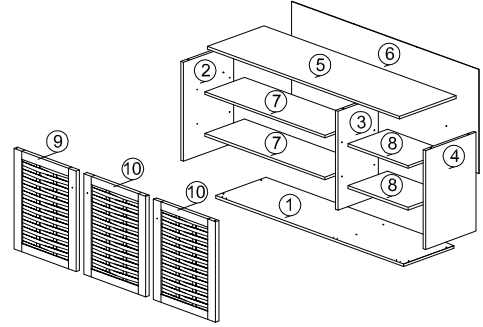
MODEL : SC 864573 B

DESCRIPTION : 3 DOORS SHOE CABINET

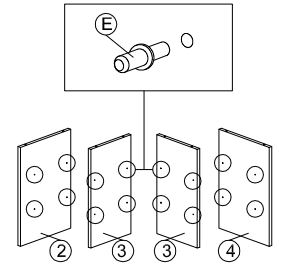
HARDWARE

A 16MM CB SCREW M3.5X16MM 1X26	B 38MM CB SCREW M4X38MM 1X6	C NAIL 5/8 1X23	D D1 D2 D3 3.5 KG MAGNET (1 HOLE) 3 SETS	E PVC SHELF SUPPORT 1X16	F DOOR SUPPORT SPRING 1X3	G G1 G2 MAS R4 1X1 MAS L4 1X2	H ROUND PLASTIC LEG (PVC) 1X5	I I1 I2 MINIFIX 5654+5546 6 SETS	J L-KEY 1X1	K QUICKFIT CAP 1X6	L HANDLE 5022 (METAL) 1X3	M HANDLE SCREW M4X22MM 1X3
---------------------------------------------------	------------------------------------------------	------------------------------	-------------------------------------------------------------	------------------------------------------	-------------------------------------------	--------------------------------------------------	-----------------------------------------------	--------------------------------------------------	--------------------------	------------------------------------	----------------------------------------------	-----------------------------------------------

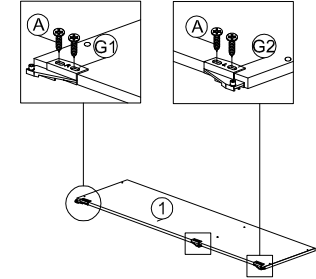
PART LIST



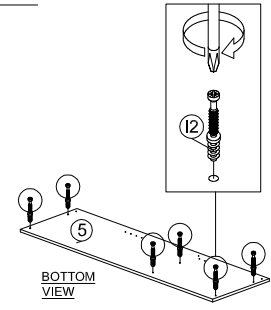
STEP 1



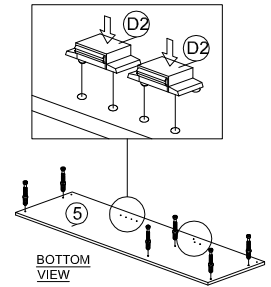
STEP 2



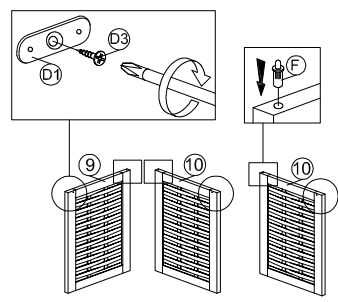
STEP 3



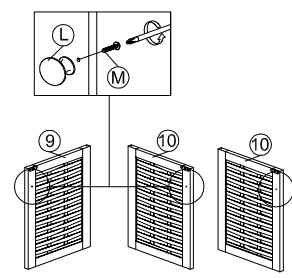
STEP 4



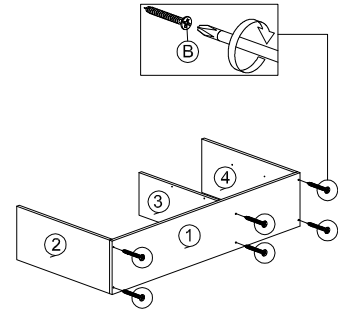
STEP 5



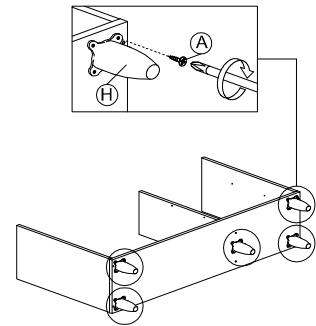
STEP 6



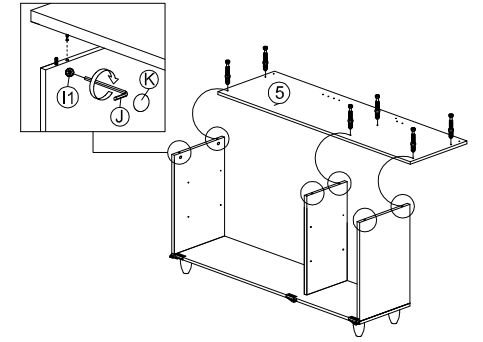
STEP 7



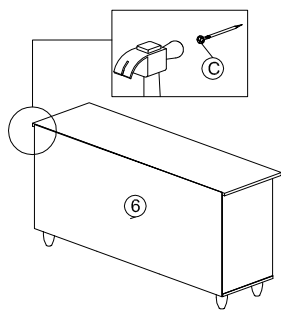
STEP 8



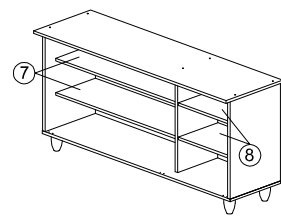
STEP 9



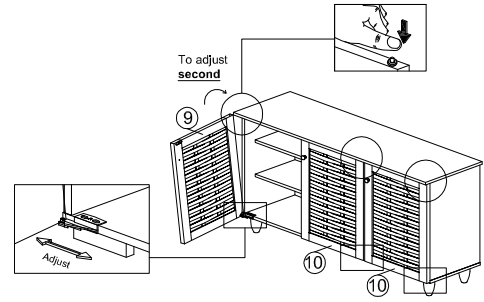
STEP 10



STEP 11



STEP 12



COMPLETED

