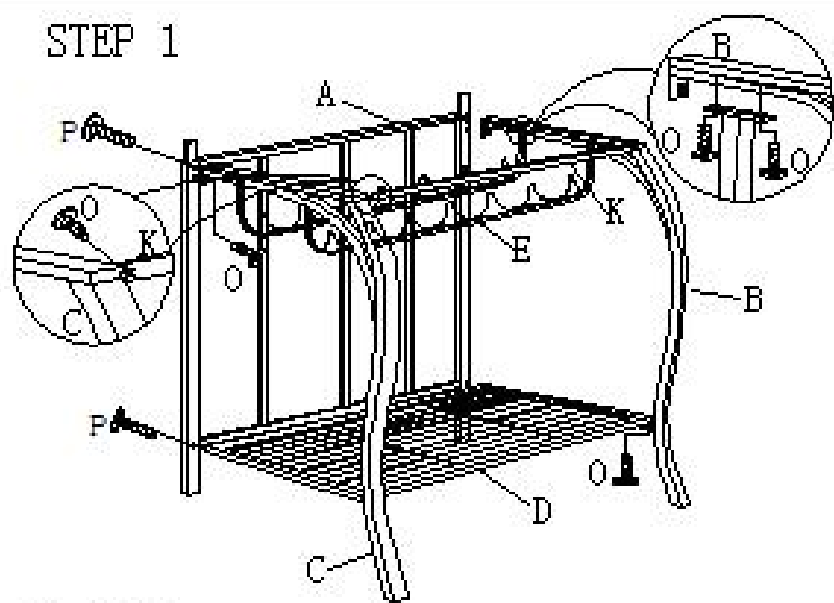
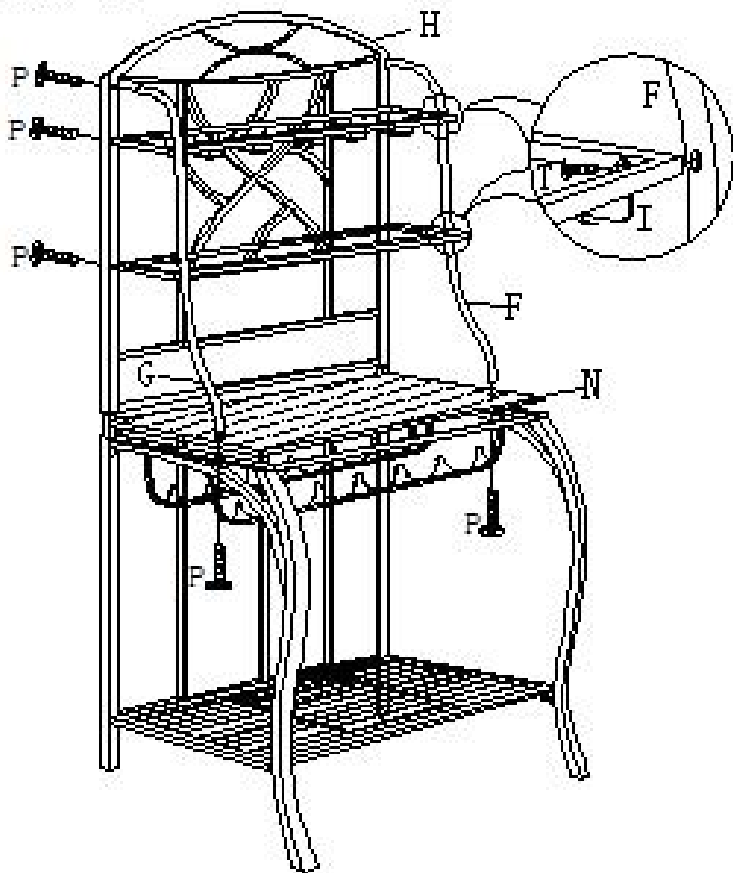


Assembly Instructions

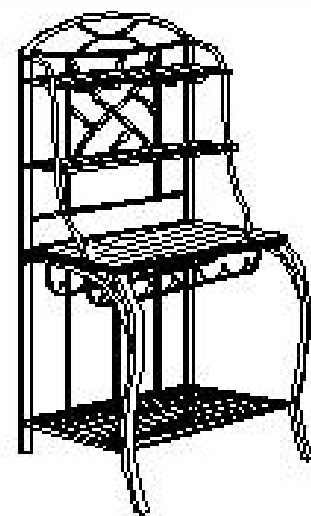
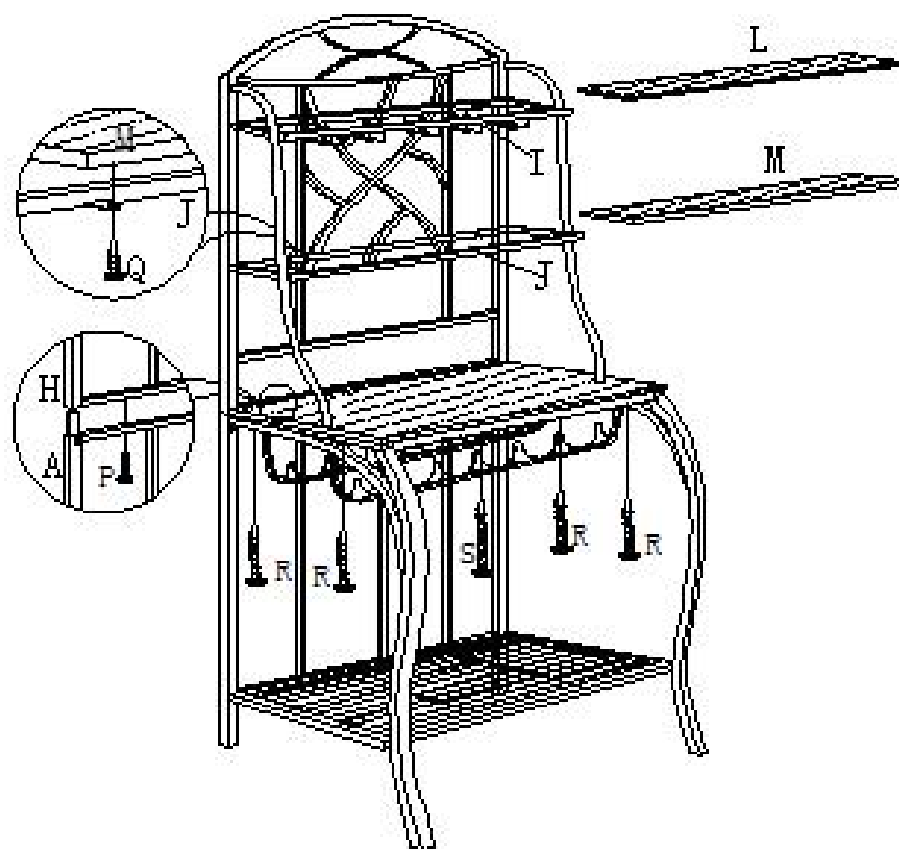
STEP 1



STEP 2



STEP 3



A		1 PC
B		1 PC
C		1 PC
D		1 PC
E		2PCS
F		1 PC
G		1 PC
H		1 PC
I		1 PC
J		1 PC
K		1 PC
L		1 PC
M		1 PC
N		1 PC
O		14PCS
P		14PCS
Q		8PCS
R		4PCS
S		1 PC
T		4PCS
H		1 PC