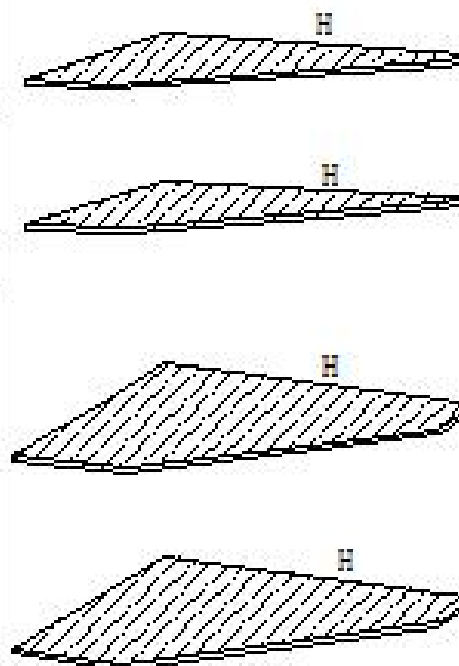
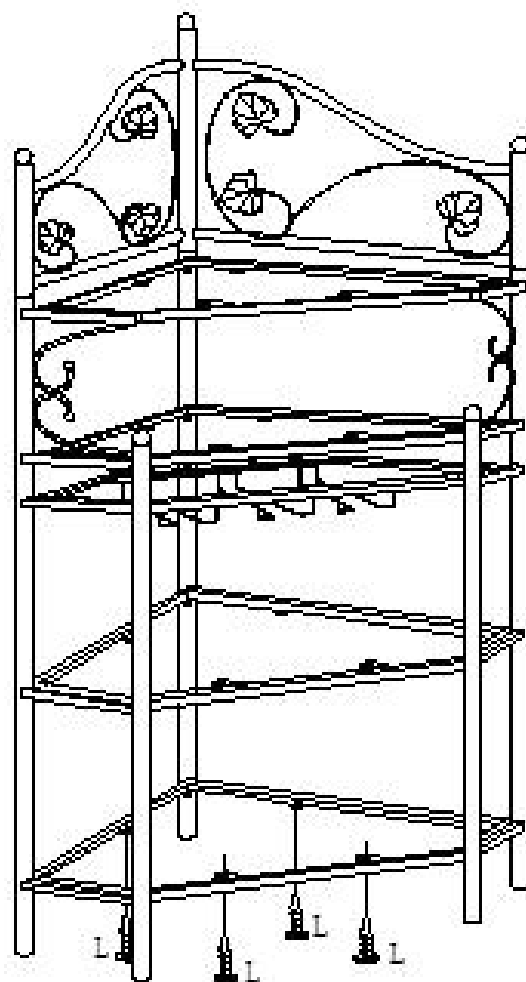
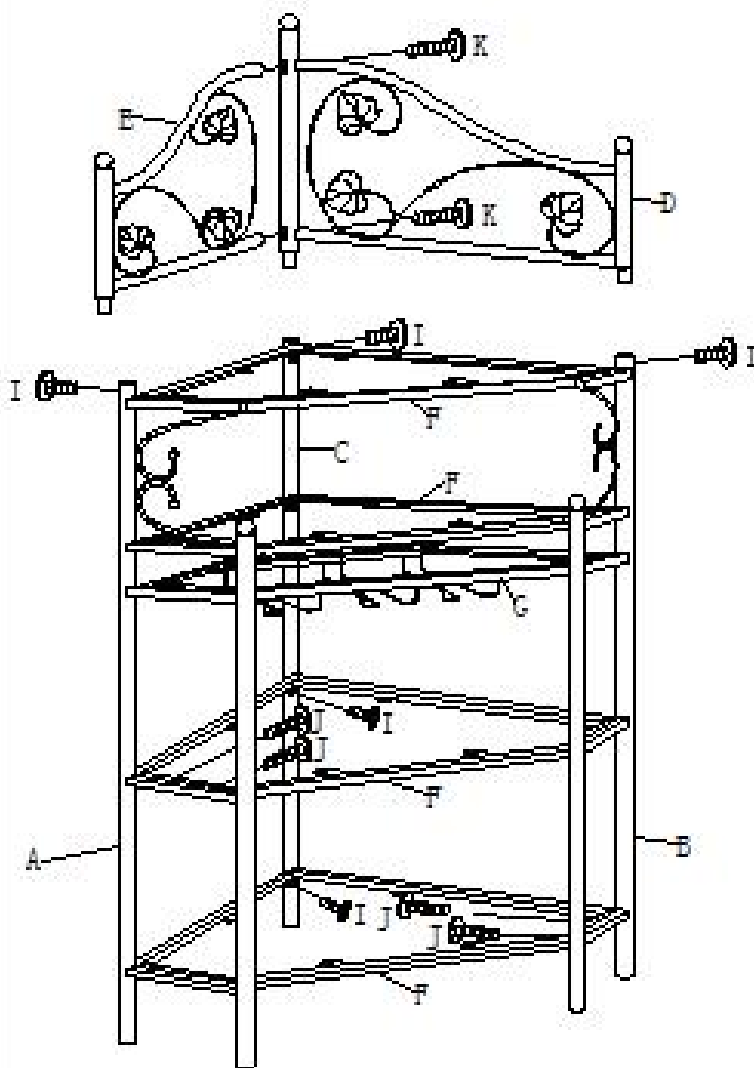
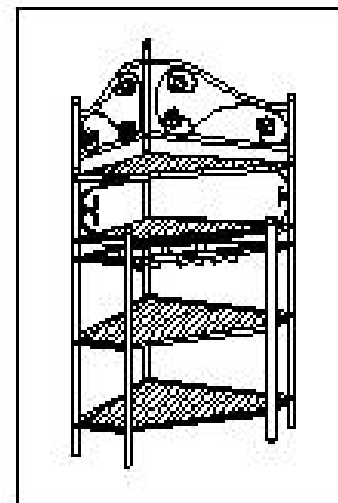


Assembly Instructions



A		1 PC
B		1 PC
C		1 PC
D		1 PC
E		1 PC
F		4PCS
G		1 PC
H		4PCS
I		8PCS 1/4*12mm
J		20PCS 1/4*20mm
K		2PCS 1/4*35mm
L		16PCS M4*12mm
M		1 PC