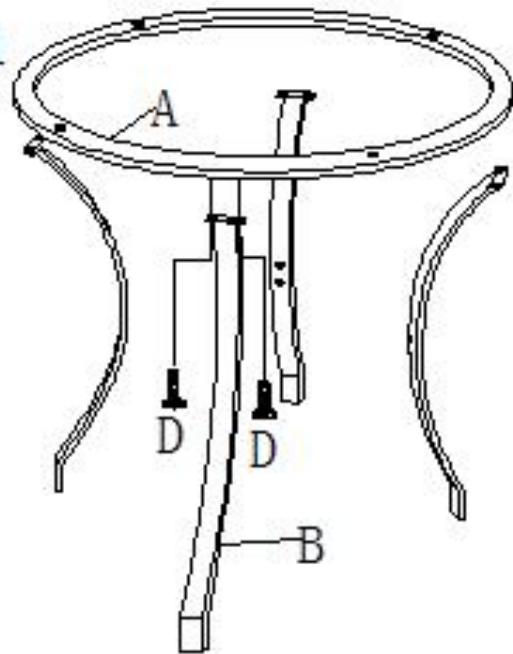
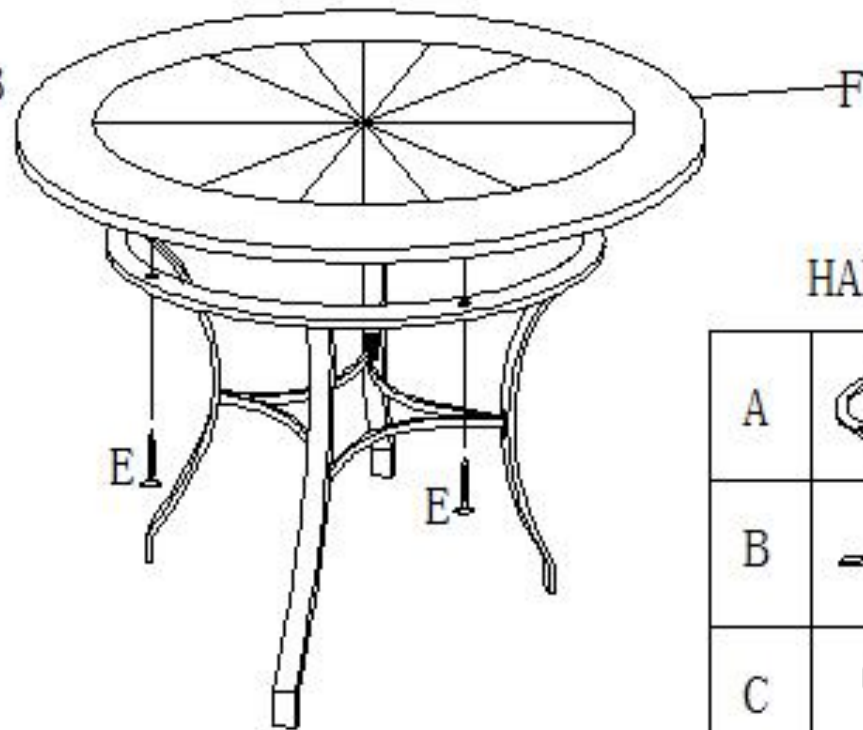


ASSEMBLY INSTRUCTIONS

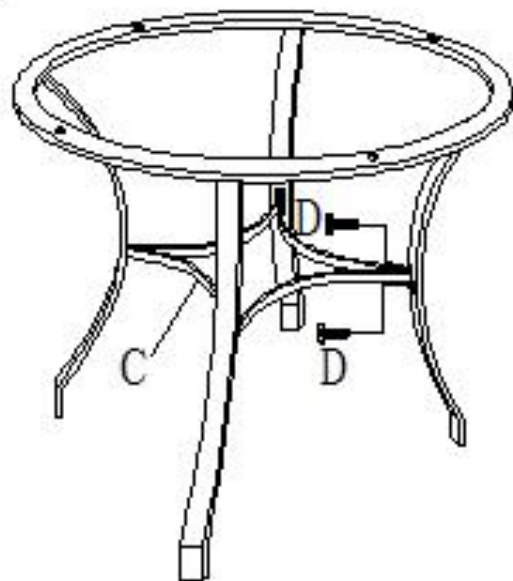
STEP1



STEP3



STEP2



HARDWARE LIST

A		1PC
B		4PCS
C		1PC
D		16PCS
E		4PCS
F		1PC
G		1PC